

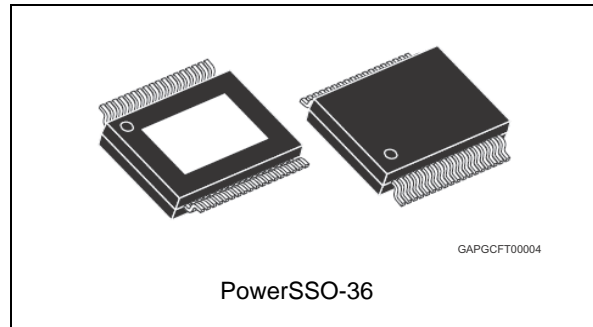
Octal half-bridge driver with SPI control for automotive application

Features

- 8 half bridges
- $R_{ON} = \text{typ. } 0.9 \Omega \text{ (HS), } 0.64 \Omega \text{ (LS)}$
@ $T_j = 25 \text{ }^\circ\text{C}$
- Current limit of each output at min. 0.8 A
- Intrinsic DC/DC step up converter driving an external MOSFET
- PWM mode option for all half bridges for hold current
- Internal PWM generation
- Two current monitor outputs
- SPI interface for data communication
- Temperature warning
- All outputs overtemperature protected
- All outputs short circuit protected
- V_{CC} supply voltage 3.0 to 5.3 V
- Very low current consumption in standby mode typ. 5 μA
- V_S operating range compliant: 6 V – 18 V

Applications

- Stepper motor driver and / or DC
- Intended to drive HVAC flaps



Description

The L99MD01 is an octal half-bridge driver for automotive applications.

The device is intended to drive DC and/or stepper motors. Using the boost converter it's possible to drive 4 stepper motors simultaneously. Without boost converter the system is able to run 3 stepper motors in sequential mode or 2 stepper motors simultaneously. The octal half bridge configuration allows also to drive 4 DC-motors simultaneously and 7 DC-motors sequentially.

The integrated 24 bit standard Serial Peripheral Interface (SPI) controls all outputs and provides diagnostic information: normal operation, open-load in on-state, overcurrent, temperature warning and overtemperature.

Table 1. Device summary

Package	Order codes	
	Tube	Tape and reel
PowerSSO-36	L99MD01XP	L99MD01XPTR

Contents

1	Block diagram	6
2	Detailed description	7
2.1	Power supply: V_{CC}	7
2.2	Power supply: V_{SA} , V_{SB}	7
2.3	Standby mode	7
2.4	PWM mode	7
2.5	SMPS Switched Mode Power Supply	8
2.6	Current monitor	8
2.7	Inductive loads	8
2.8	Diagnostic functions	8
2.9	Temperature warning and thermal shutdown	9
2.10	V_S , V_{S2} , V_{SA} , V_{SB} monitoring	9
2.11	Open-load detection	9
2.12	Overload detection	10
2.13	Cross-current protection	10
3	Pin definitions and functions	11
4	Electrical specifications	13
4.1	Absolute maximum ratings	13
4.2	ESD protection	13
4.3	Thermal data	14
4.4	Electrical characteristics	14
4.4.1	SPI electrical characteristics	19
4.4.2	SPI timing parameter definition	21
5	Functional description of the SPI	22
5.1	Signal description	22
5.1.1	Serial clock (SCK)	22
5.1.2	Serial data input (SDI)	22
5.2	SPI communication flow	24

5.2.1	General description	24
5.2.2	Command byte	24
5.3	Write operation	27
5.4	Read operation	27
5.5	Read and clear status operation	27
5.6	Read device information	28
6	SPI control and status register	29
6.1	Control status register	30
7	Application examples	39
8	Package and PCB thermal data	48
8.1	PowerSSO-36 thermal data	48
9	Package information	50
9.1	ECOPACK® package	50
9.2	PowerSSO-36™ mechanical data	50
9.3	Packing information	52
10	Revision history	53

List of tables

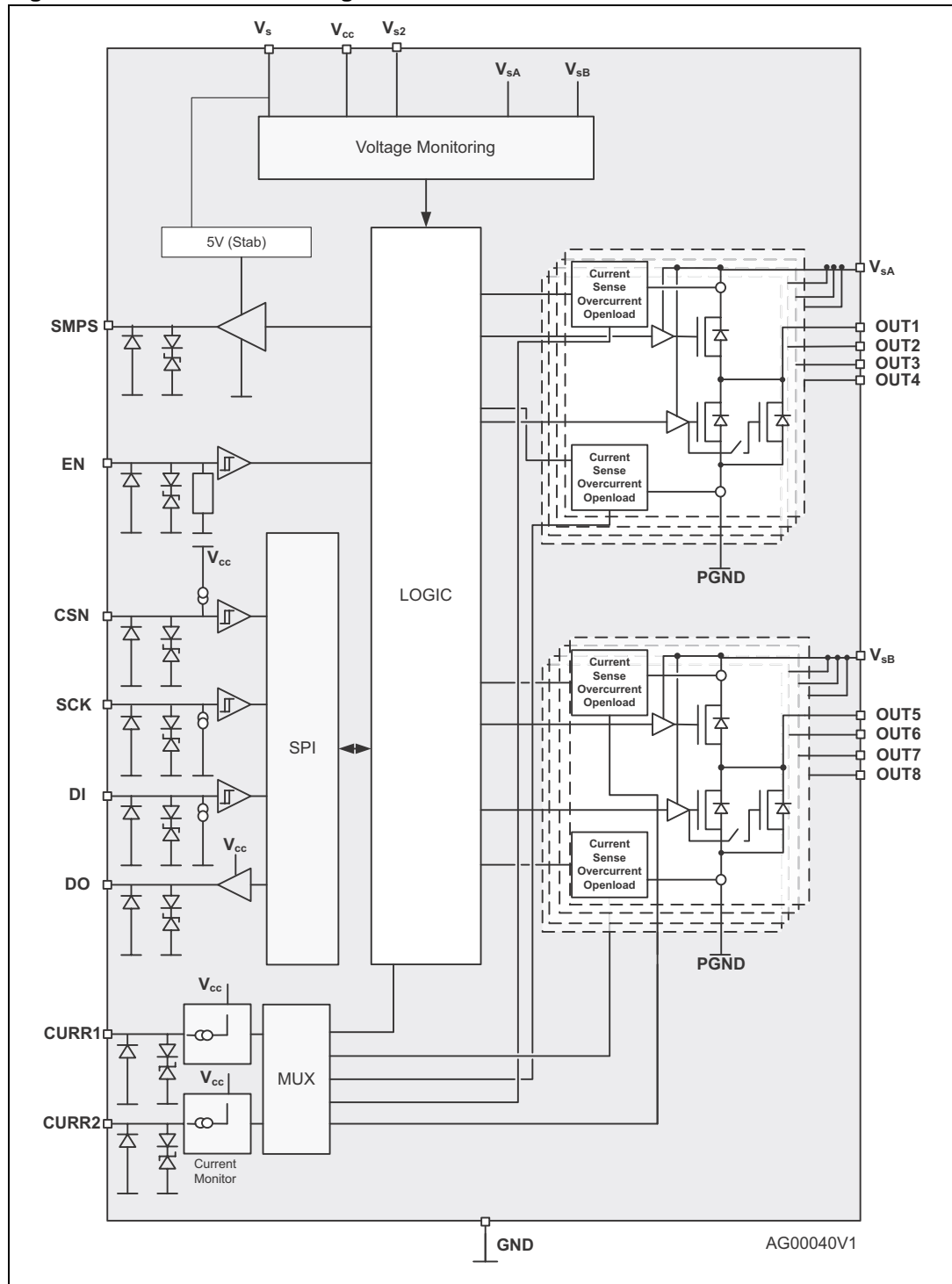
Table 1.	Device summary	1
Table 2.	V_S , V_{S2} , V_{SA} , V_{SB} monitoring	9
Table 3.	Pin description	11
Table 4.	Absolute maximum ratings	13
Table 5.	ESD protection	13
Table 6.	Operating junction temperature	14
Table 7.	Temperature warning and thermal shutdown	14
Table 8.	Supply	14
Table 9.	Overvoltage and undervoltage detection	15
Table 10.	Switches	16
Table 11.	Current monitor output	17
Table 12.	Current monitor dynamic characteristics	18
Table 13.	SMPS switched mode power supply gate driver output	18
Table 14.	Oscillator	19
Table 15.	DC characteristics	19
Table 16.	AC characteristics	20
Table 17.	Dynamic characteristics	20
Table 18.	Command byte (8 bit)	24
Table 19.	Data byte	24
Table 20.	Operating code definition	24
Table 21.	Global status byte	25
Table 22.	Reset	26
Table 23.	RAM memory map	29
Table 24.	ROM memory map (access with OC0 and OC1 set to '1')	29
Table 25.	Control status register	30
Table 26.	Control register 1	31
Table 27.	Control register 2	32
Table 28.	Control register 3	32
Table 29.	Wobble	33
Table 30.	Frequency deviation	33
Table 31.	Control register 4	34
Table 32.	Ratio for CURR2	34
Table 33.	Ratio for CURR1	34
Table 34.	Control register 5	35
Table 35.	Control register 6	36
Table 36.	Status register 0	37
Table 37.	Status register 1	37
Table 38.	Status register 2	38
Table 39.	PowerSSO-36 mechanical data	51
Table 40.	Document revision history	53

List of figures

Figure 1.	Detailed block diagram	6
Figure 2.	Power on reset	7
Figure 3.	Pin connection (top view- not in scale)	12
Figure 4.	Output turn-on/off delays and slew rates	17
Figure 5.	SMPS timings	19
Figure 6.	SPI timing	21
Figure 7.	Clock polarity and clock phase	22
Figure 8.	SPI frame structure.	23
Figure 9.	Indication of the global error flag on SDO when CSN is low and SCK is stable.	26
Figure 10.	Driving 4 bipolar stepper motors simultaneously	39
Figure 11.	Driving 2 bipolar stepper motors simultaneously and 3 DC-motors sequentially	40
Figure 12.	Driving 2 bipolar stepper motors simultaneously	41
Figure 13.	Driving 1 bipolar stepper motor and 2 DC-motors simultaneously	42
Figure 14.	Driving 3 bipolar stepper motors sequentially	43
Figure 15.	Driving 4 DC-motors simultaneously	44
Figure 16.	Driving 3 DC-motors simultaneously and 2 DC-motors sequentially	45
Figure 17.	Driving 7 DC-motors sequentially	45
Figure 18.	Driving simultaneously 4 unipolar winded stepper motors in bipolar mode	46
Figure 19.	Cost saving impact using L99MD01 as stepper motor driver inside HVAC systems	47
Figure 20.	PowerSSO-36 PC board.	48
Figure 21.	PowerSSO-36 thermal impedance junction ambient	49
Figure 22.	PowerSSO-36™ package dimensions	50
Figure 23.	PowerSSO-36 tube shipment (no suffix)	52
Figure 24.	PowerSSO-36 tape and reel shipment (suffix "TR")	52

1 Block diagram

Figure 1. Detailed block diagram

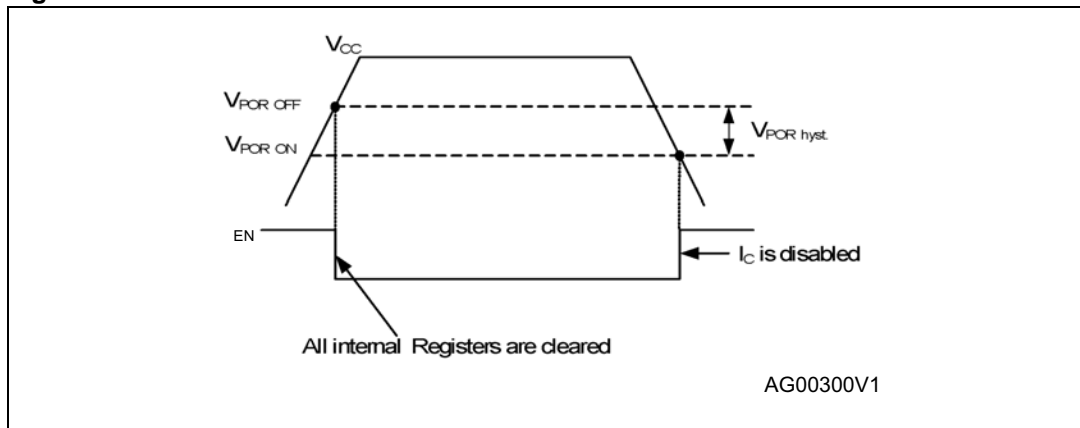


2 Detailed description

2.1 Power supply: V_{CC}

The supply voltage V_{CC} (3.3 V / 5 V) supplies the whole device. In case of power-on (V_{CC} increases from undervoltage to $V_{POR\ OFF} = 2.75$ V, typical) the circuit is initialized by an internally generated power-on-reset (POR). If the voltage V_{CC} decreases under the minimum threshold ($V_{POR\ ON} = 2.55$ V, typical), the outputs are switched off in 3-state (high impedance). The status registers are cleared and the control registers are reset to their default.

Figure 2. Power on reset



2.2 Power supply: V_{SA} , V_{SB}

Each V_{SA} and V_{SB} supplies 4 half bridges independently.

$V_{SA} \rightarrow$ Out 1 to Out 4

$V_{SB} \rightarrow$ Out 5 to Out 8

2.3 Standby mode

The standby mode of the L99MD01 is activated by EN pin to low. The inputs and outputs are switched off. The status registers are cleared and the control registers are reset to their default values.

In the standby mode the current consumption is typ. 5 μ A.

2.4 PWM mode

The PWM Mode is intended to generate a hold current for stepper motors.

PWM frequency typ. 100 Hz.

Duty cycle (SPI 2bit): 15 %, 30 %, 45 % and 60 %.

Each half-bridge is independently addressable (SPI 8bit).

2.5 SMPS Switched Mode Power Supply

External MOSFET

Spread spectrum technique:

- Wobble oscillator, programmable by SPI (1.95 K / 3.9 K / 7.8 K / 15.6 KHz).
- Frequency modulation programmable by SPI (0 / 5 / 10 / 20%).

V_{S2} level concept:

- Microcontroller measuring pulse of SMPS frequency (dependent on internal oscillator frequency).
Due to the Oscillator frequency of L99MD01 the μC can calculate the on/off counts to program the SMPS frequency and duty cycle.
- Microcontroller sending by SPI SMPS 6-bit on counter value, microcontroller sending by SPI SMPS 6-bit off counter value.
Basing on the on and off counter value the duty cycle and the SMPS frequency can be programmed.

The V_{S2} voltage is strongly related to the duty cycle of SMPS.

2.6 Current monitor

The current monitor output sources a current image at the current monitor output which has a programmable ratio (1/250, 1/500, 1/750, 1/1000) of the instantaneous current of the selected half bridge (high-side or low-side). Via SPI it can be programmed which of the outputs are multiplexed to the current monitor output.

The current monitor output allows a more precise analysis of the actual state of the load rather than the detection of an open or overload condition. For example this can be used to detect the motor state (starting, free-running, stalled).

2.7 Inductive loads

Each half bridge is built by an internally connected high-side and a low-side power DMOS transistor. Due to the built-in reverse diodes of the output transistors, inductive loads can be driven at the outputs.

2.8 Diagnostic functions

All diagnostic functions (over/open-load, temperature warning and thermal shutdown, over/undervoltage) are internally filtered and the condition has to be valid for at least 32 μs (open-load: typ. 2 ms, respectively) before the corresponding status bit in the status registers is set. The filters are used to improve the noise immunity of the device. Open-load and temperature warning function are intended for information purpose and not changes the state of the output drivers. On contrary, the overload and thermal shutdown condition disables the corresponding driver (overload) or all drivers (thermal shutdown), respectively. The microcontroller has to clear the overcurrent status bit to reactivate the corresponding driver.

2.9 Temperature warning and thermal shutdown

If the junction temperature rises above $T_{jTW ON}$ a temperature warning flag is set and is detectable via the SPI. If the junction temperature increases above the second threshold $T_{jSD ON}$, the thermal shutdown bit is set and power DMOS transistors of all output stages are switched off to protect the device. Temperature warning flag and thermal shutdown bits are latched. In order to reactivate the output stages, the junction temperature must decrease below $T_{jSD ON}$ and the thermal shutdown bit has to be cleared by the microcontroller.

2.10 V_S , V_{S2} , V_{SA} , V_{SB} monitoring

V_S undervoltage:	Status bit is set. All outputs and SMPS are switched off. The microcontroller needs to clear the status bits to reactivate the drivers and SMPS.
V_S overvoltage:	Status bit is set. All outputs are switched off (default). The microcontroller needs to clear the status bits to reactivate the drivers. Can be deactivated via SPI.
V_{SA} undervoltage:	Status bit is set. Out 1 to Out 8 are switched off. The microcontroller needs to clear the status bits to reactivate the drivers.
V_{SB} undervoltage:	Status bit is set. Out 1 to Out 8 are switched off. The microcontroller needs to clear the status bits to reactivate the drivers.
V_{S2} undervoltage:	Status bit is set. Only if SPMS is active. The microcontroller needs to clear the status bits to reactivate SMPS.
V_{S2} overvoltage:	Status bit is set. SMPS is switched off (default). The microcontroller needs to clear the status bits to reactivate SMPS. If the V_{S2} recovery bit is set, and the V_{S2} voltage falls below the threshold, the SMPS goes in active mode and the status bit is cleared.

Table 2. V_S , V_{S2} , V_{SA} , V_{SB} monitoring

	'typ	SMPS	Out x
V_S undervoltage	5.7 V	Status + off	Status + off
V_S overvoltage	22.0 V	X	Status + (off or mask)
V_{SA} undervoltage	5.7 V	X	Status + off
V_{SB} undervoltage	5.7 V	X	Status + off
V_{S2} undervoltage	$V_S + 1.5V$	Status	X
V_{S2} overvoltage	35.0 V	Status + (off or (off+ recovery))	

2.11 Open-load detection

The open-load detection monitors the load current in each activated output stage. If the load current is below the open-load detection threshold for at least 2 ms (t_{dOL}) the corresponding open load bit is set in the status register. Due to mechanical/electrical inertia of typical loads a short activation of the outputs (e.g. 3 ms) can be used to test the open-load status without changing the mechanical/electrical state of the loads.

2.12 Overload detection

In case of an overcurrent condition, a flag is set in the corresponding status register. If the overcurrent signal is valid for at least $t_{ISC} = 32 \mu\text{s}$, the overcurrent flag is set and the corresponding switch is switched off to reduce the power dissipation and to protect the integrated circuit. The microcontroller has to clear the status bit to reactivate the corresponding driver.

2.13 Cross-current protection

The device is cross-current protected by an internal delay time. If one driver (LS or HS) is turned-off the activation of the other driver of the same half bridge are automatically delayed by the cross-current protection time. After the cross-current protection time is expired the slew-rate limited switch-off phase of the driver is changed to a fast turn-off phase and the opposite driver is turned-on with slew-rate limitation. Due to this behavior it is always guaranteed that the previously activated driver is totally turned-off before the opposite driver starts to conduct. If wrong SPI commands try to turn-on both driver (LS and HS) simultaneously, the high-side and the low-side are (or stay) deactivated (3-state).

3 Pin definitions and functions

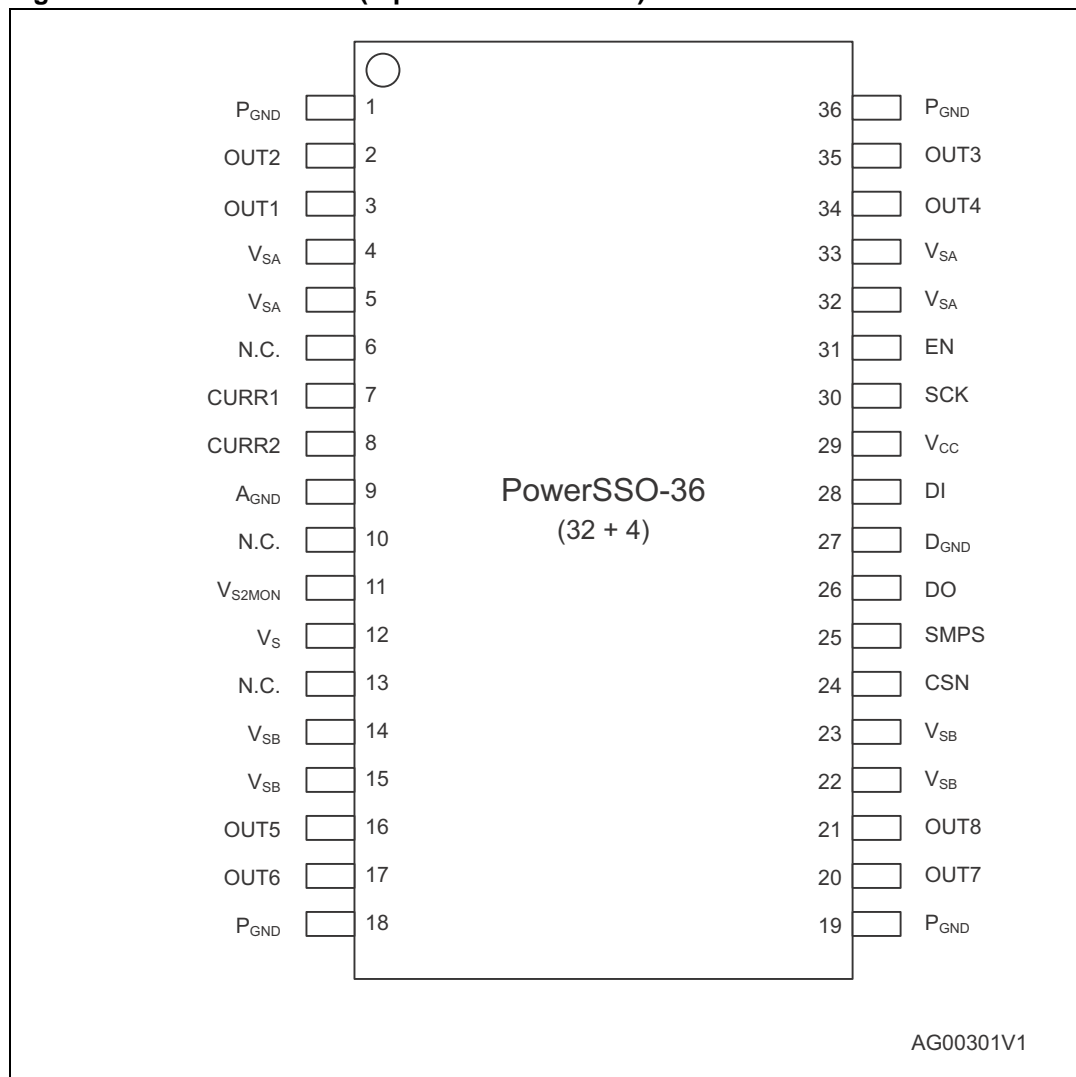
Table 3. Pin description

Pin	Symbol	Function
1, 18, 19, 36	P _{GND}	Power ground: reference potential
9	A _{GND}	Analog ground: reference potential
27	D _{GND}	Digital ground: reference potential
6, 10, 13	N.C.	Not connected
		Exposed pad: reference potential connected to P _{GND}
2, 3, 16, 17, 20, 21, 34, 35	OUT 1 - 8	Half bridge-output: the output is built by a high-side and a low-side switch, which are internally connected. The output stage of both switches is a power DMOS transistor. Each driver has an internal parasitic reverse diode (bulk-drain-diode: high-side driver from output to V _{Sx} , low-side driver from P _{GND} to output).
29	V _{CC}	Logic voltage supply 3.3 V / 5 V For this input a ceramic capacitor as close as possible to A _{GND} is recommended
4, 5, 32, 33	V _{SA}	Power supply voltage for OUT 1 to 4 (external reverse protection required): For this input a ceramic capacitor as close as possible to P _{GND} is recommended. Important: for the capability of driving the full current at the outputs all pins of V _{SA} must be externally connected!
14, 15, 22, 23	V _{SB}	Power supply voltage for OUT 5 to 8 (external reverse protection required): For this input a ceramic capacitor as close as possible to P _{GND} is recommended. Important: for the capability of driving the full current at the outputs all pins of V _{SA} must be externally connected!
11	V _{S2MON}	V _{S2} monitoring
12	V _S	V _S supply and monitoring
25	SMPS	SMPS gate driver. For overcurrent and overvoltage protection a external resistor is recommended
7, 8	CURR1 / 2	Current monitor 1 / 2
31	EN	Enable the L99MD01
28	DI	SPI data in: the input requires CMOS logic levels and receives serial data from the microcontroller. The data is a 24 bit control word and the most significant bit (MSB) is transferred first.
26	DO	SPI data out: the diagnosis data is available via the SPI and this 3-state output. The output remains in 3-state, if the chip is not selected by the input CSN (CSN = high)

Table 3. Pin description (continued)

Pin	Symbol	Function
24	CSN	SPI CSN chip select: this input is active low and requires CMOS logic levels. The serial data transfer between the L99MD01 and micro controller is enabled by pulling the input CSN to low level.
30	SCK	SPI serial clock input: this input controls the internal shift register of the SPI and requires CMOS logic levels.

Figure 3. Pin connection (top view- not in scale)



4 Electrical specifications

4.1 Absolute maximum ratings

Table 4. Absolute maximum ratings

Symbol	Parameter	Value	Unit
V_S	DC supply voltage	-0,3...28	V
	Single pulse $t_{max} < 400$ ms	40	V
V_{S2} V_{SA} V_{SB}	DC supply voltage	-0,3...38	V
	Single pulse $t_{max} < 400$ ms	40	V
V_{CC}	Stabilized supply voltage, logic supply	-0.3 to 5.5	V
EN DI DO SCK CSN	Digital input / output voltage	-0.3 to $V_{CC} + 0.3$	V
CURR1/2	Current monitor output	-0.3 to $V_{CC} + 0.3$	
OUT 1-8	Output current capability	± 2	A
SMPS	SMPS is not overcurrent protected, external resistor can be used for protection and EMC optimizations		

Note: All maximum ratings are absolute ratings. Leaving the limitation of any of these values may cause an irreversible damage of the integrated circuit!

4.2 ESD protection

Table 5. ESD protection

Parameter	Value	Unit
All pins	$\pm 2^{(1)}$	kV
Output Pins: OUT1 – 8, V_S , V_{SA} , V_{SB} , V_{S2} ,	$\pm 4^{(2)}$	kV

1. HBM according to EIA/JESD22-A114-E.
2. HBM with all unzapped pins grounded.

4.3 Thermal data

Table 6. Operating junction temperature

Symbol	Parameter	Value	Unit
T_j	operating junction temperature	-40 to 150	°C

Table 7. Temperature warning and thermal shutdown

Symbol	Parameter	Min.	Typ.	Max.	Unit
$T_{jTW\ ON}$	temperature warning threshold junction temperature T_j increasing	-	-	150	°C
$T_{jSD\ ON}$	thermal shutdown threshold junction temperature T_j increasing	-	-	170	°C

4.4 Electrical characteristics

$V_S = 6$ to 18 V, $V_{CC} = 3.0$ to 5.3 V, $T_j = -40$ to 150 °C, unless otherwise specified.

The voltages are referred to GND and currents are assumed positive, when the current flows into the pin.

Table 8. Supply

Symbol	Parameter	Test condition	Min.	Typ.	Max.	Unit
V_{SA}/V_{SB}	operating supply voltage range		6		38	V
I_S	V_{SA}/V_{SB} DC supply current	$V_{Sx} = 13$ V, $V_{CC} = 5.0$ V EN = high Outputs floating		0.5	2	mA
I_{VS}	V_S supply current	$V_S = 13$ V, $V_{CC} = 5$ V EN = high SMPS output off		1.5	4	mA
		$V_S = 13$ V, $V_{CC} = 5$ V EN = high SMPS load = 2 nF, 200 kHz, duty 50 %		4.2	7	mA
I_{VS2}	V_{S2} DC current	$V_{S2} = 26$ V, $V_{CC} = 5.0$ V EN = high		300	600	µA
I_{VSX}	V_{Sx} ($V_S, V_{SA}, V_{SB}, V_{S2}$) quiescent supply current	$V_{Sx} = 13$ V, $V_{CC} = 5$ V EN = low $T_j = -40, 25$ °C Outputs floating		3	10	µA
		$T_j = 130$ °C; TBV		6	20	µA
V_{CC}	operating supply voltage range		3,0		5,3	V

Table 8. Supply (continued)

Symbol	Parameter	Test condition	Min.	Typ.	Max.	Unit
I_{CC}	V_{CC} DC supply current	$V_{Sx} = 13\text{ V}$, $V_{CC} = 5.0\text{ V}$ EN = high		1	3	mA
	V_{CC} quiescent supply current	$V_S = 13\text{ V}$, $V_{CC} = 5.0\text{ V}$ CSN = V_{CC} EN = low Outputs floating		5	20	μA

Table 9. Overvoltage and undervoltage detection

Symbol	Parameter	Test condition	Min.	Typ.	Max.	Unit
$V_{POR\ OFF}$	power-on-reset threshold	V_{CC} increasing			3.0	V
$V_{POR\ ON}$	power-on-reset threshold	V_{CC} decreasing	2.3			V
$V_{POR\ hyst}$	power-on-reset hysteresis	$V_{POR\ OFF} - V_{POR\ ON}$		0.2		V
$V_{SUV\ OFF}$	V_S UV-threshold voltage	V_S increasing	6.0		6.7	V
$V_{SUV\ ON}$	V_S UV-threshold voltage	V_S decreasing	5.4		6	V
$V_{SUV\ hyst}$	V_S UV-hysteresis	$V_{SUV\ OFF} - V_{SUV\ ON}$	0.35	0.5		V
$V_{SAUV\ OFF}$	V_{SA} UV-threshold voltage	V_{SA} increasing	5.95		6.7	V
$V_{SAUV\ ON}$	V_{SA} UV-threshold voltage	V_{SA} decreasing	5.4		6	V
$V_{SAUV\ hyst}$	V_{SA} UV-hysteresis	$V_{SAUV\ OFF} - V_{SAUV\ ON}$	0.35	0.5		V
$V_{SBUV\ OFF}$	V_{SB} UV-threshold voltage	V_{SB} increasing	5.95		6.7	V
$V_{SBUV\ ON}$	V_{SB} UV-threshold voltage	V_{SB} decreasing	5.4		6	V
$V_{SBUV\ hyst}$	V_{SB} UV-hysteresis	$V_{SBUV\ OFF} - V_{SBUV\ ON}$	0.35	0.5		V
$V_{SOV\ ON}$	V_S OV-threshold voltage	V_S increasing			24	V
$V_{SOV\ OFF}$	V_S OV-threshold voltage	V_S decreasing	18			V
$V_{SOV\ hyst}$	V_S OV-hysteresis	$V_{SOV\ ON} - V_{SOV\ OFF}$	0.75	1		V
$V_{S2UV\ OFF}$	V_{S2} UV-threshold voltage	V_{S2} increasing			V_S+5	V
$V_{S2UV\ ON}$	V_{S2} UV-threshold voltage	V_{S2} decreasing	V_S+1			V
$V_{S2UV\ hyst}$	V_{S2} UV-hysteresis	$V_{S2UV\ OFF} - V_{S2UV\ ON}$	0.55	0.8	1.15	V
$V_{S2OV\ ON}$	V_{S2} OV-threshold voltage	V_S increasing			38	V
$V_{S2OV\ OFF}$	V_{S2} OV-threshold voltage	V_S decreasing	32			V
$V_{S2OV\ hyst}$	V_{S2} OV-hysteresis	$V_{S2OV\ ON} - V_{S2OV\ OFF}$	0.75	1		V

Table 10. Switches

Symbol	Parameter	Test condition	Min.	Typ.	Max.	Unit
r _{ON HS 1-8}	On resistance V _{SA} / V _{SB} to OUT 1-8	T _j = 25 °C, I _{OUT1-8} = -0.25 A		900	1200	mΩ
		T _j = 125 °C, I _{OUT1-8} = -0.25 A		1300	1800	mΩ
r _{ONLSHC 1-8}	On resistance OUT 1-8 to GND in HC mode	T _j = 25 °C, HC=1 I _{OUT1-8} = 0.25 A		700	1000	mΩ
		T _j = 125 °C, HC=1 I _{OUT1-8} = 0.25 A		1000	1500	mΩ
r _{ONLSLC 1-8}	On resistance OUT 1-8 to GND in LC mode	T _j = 25 °C, HC=0 I _{OUT1-8} = 0.125 A		1200	1800	mΩ
		T _j = 125 °C, HC=0 I _{OUT1-8} = 0.125 A		2000	2800	mΩ
I _{SCHS1-8}	HS overcurrent protection	V _S = 13.5 V	0.8		1.4	A
I _{SCLSHC1-8}	LS overcurrent protection in HC mode	V _S = 13.5 V, HC = 1	0.8		1.4	A
I _{SCLSLC1-8}	LS overcurrent protection in LC mode	V _S = 13.5 V, HC = 0	0.4		0.7	A
t _{d ON1-8 H}	Output delay time, HS switch on	V _S = 13.5 V, R _{load} = 52 Ω	10	25	80	μs
t _{d OFF1-8 H}	Output delay time, HS switch off	V _S = 13.5 V, R _{load} = 52 Ω	50	100	300	μs
t _{d ON1-8 L}	Output delay time, LS switch on	V _S = 13.5 V, R _{load} = 52 Ω	5	15	80	μs
t _{d OFF1-8 L}	Output delay time, LS switch off	V _S = 13.5 V, R _{load} = 52 Ω	50	100	300	μs
t _{D LH} /t _{D HL}	Cross current protection time		20	200	400	μs
I _{QLH}	Switched-off output current HS OUT 1-8	V _{OUT1-8} = 0 V	-2			μA
I _{QLL}	Switched-off output current LS OUT 1-8	V _{OUT1-8} = V _S			2	μA
I _{OLDHS1-8}	Open-load detection current HS OUT 1-8	T _j = -40 °C	8	30	60	mA
		T _j = 25 °C to 125 °C	10	30	60	mA
I _{OLDLSHC1-8}	Open-load detection current LS OUT 1-8 in HC mode	HC bit set to 1; T _j = -40 °C	4.5	30	65	mA
		HC bit set to 1; T _j = 25 °C to 125 °C	8	30	60	mA
I _{OLDLSLC1-8}	Open-load detection current LS OUT 1-8 in LC mode	HC bit set to 0; T _j = -40 °C	1.8	15	35	mA
		HC bit set to 0; T _j = 25 °C to 125 °C	4	15	30	mA
t _{dOL}	Minimum duration of open-load condition to set the status bit		500	2000	3000	μs

Table 10. Switches (continued)

Symbol	Parameter	Test condition	Min.	Typ.	Max.	Unit
t_{ISC}	Minimum duration of overcurrent condition to switch off the driver		10	32	100	μs
dV_{OUT1-8}/dt	Slew rate of OUT 1-8	$V_S = 13.5 V, R_{load} = 52 \Omega$	0.1	0.25	0.5	V/ μs

Figure 4. Output turn-on/off delays and slew rates

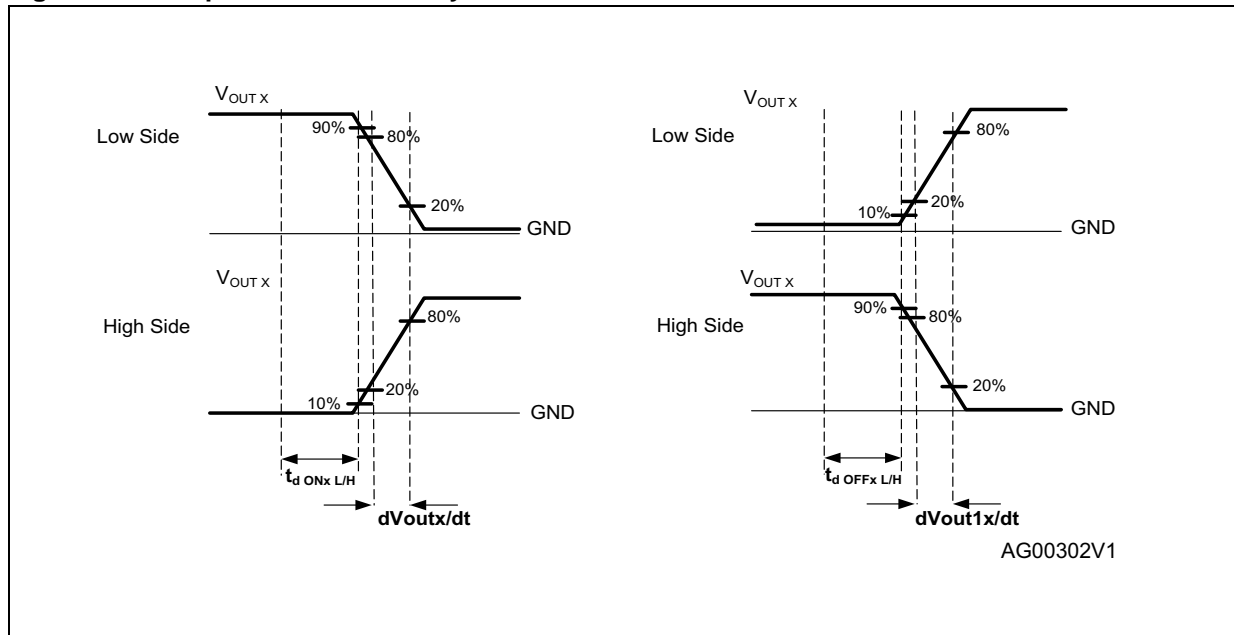


Table 11. Current monitor output

Symbol	Parameter	Test condition	Min.	Typ.	Max.	Unit
$V_{CURR1/2}$	Functional voltage range	$V_{CC} = 5 V$	0		$V_{CC} - 1$	V
$I_{CURRHLS250}$	HS/LS current monitor output ratio: $I_{CURR1/2} / I_{OUT 1-8}$	$0 V \leq V_{CURR1/2} \leq V_{CC} - 1 V,$ $V_{CC} = 5 V;$ prog. via SPI, $I_{max} = 800 mA, HC = 1$		1/250		-
$I_{CURRHLS500}$	HS/LS current monitor output ratio: $I_{CURR1/2} / I_{OUT 1-8}$	$0 V \leq V_{CURR1/2} \leq V_{CC} - 1 V,$ $V_{CC} = 5 V;$ prog. via SPI, $I_{max} = 800 mA, HC = 1$		1/500		-
$I_{CURRHLS750}$	HS/LS current monitor output ratio: $I_{CURR1/2} / I_{OUT 1-8}$	$0 V \leq V_{CURR1/2} \leq V_{CC} - 1 V,$ $V_{CC} = 5 V;$ prog. via SPI, $I_{max} = 800 mA, HC = 1$		1/750		-
$I_{CURRHLS1000}$	HS/LS current monitor output ratio: $I_{CURR1/2} / I_{OUT 1-8}$	$0 V \leq V_{CURR1/2} \leq V_{CC} - 1 V,$ $V_{CC} = 5 V;$ prog. via SPI, $I_{max} = 800 mA, HC = 1$		1/1000		-
$I_{CURRLSLC125}$	LS current monitor output ratio in LC mode: $I_{CURR1/2} / I_{OUT 1-8}$	$0 V \leq V_{CURR1/2} \leq V_{CC} - 1 V,$ $V_{CC} = 5 V;$ prog. via SPI, $HC = 0; I_{max} = 400 mA$		1/125		-

Table 11. Current monitor output (continued)

Symbol	Parameter	Test condition	Min.	Typ.	Max.	Unit
$I_{CURRLSLC250}$	LS current monitor output ratio in LC mode: $I_{CURRLSLC1/2} / I_{OUT\ 1-8}$	$0\ V \leq V_{CURR1/2} \leq V_{CC} - 1\ V$, $V_{CC} = 5\ V$; prog. via SPI, HC = 0; $I_{max} = 400\ mA$		1/250		-
$I_{CURRLSLC375}$	LS current monitor output ratio in LC mode: $I_{CURR1/2} / I_{OUT\ 1-8}$	$0\ V \leq V_{CURR1/2} \leq V_{CC} - 1\ V$, $V_{CC} = 5\ V$; prog. via SPI, HC = 0; $I_{max} = 400\ mA$		1/375		-
$I_{CURRLSLC500}$	LS current monitor output ratio in LC mode: $I_{CURR1/2} / I_{OUT\ 1-8}$	$0\ V \leq V_{CURR1/2} \leq V_{CC} - 1\ V$, $V_{CC} = 5\ V$; prog. via SPI, HC = 0; $I_{max} = 400\ mA$		1/500		-
$I_{CURRHS1/2\ acc}$	HS current monitor accuracy	$0\ V \leq V_{CURR1/2} \leq V_{CC} - 1\ V$, $V_{CC} = 5\ V$; $I_{OUT\ 1-8\ max} = 0.8\ A$ (FS = full scale= 800 mA*current ratio); $T_j = -40\ ^\circ C$		4% + 1%FS	10% + 3%FS	-
		$0\ V \leq V_{CURR1/2} \leq V_{CC} - 1\ V$, $V_{CC} = 5\ V$; $I_{OUT\ 1-8\ max} = 0.8\ A$; (FS = full scale= 800 mA*current ratio); $T_j = 25\ ^\circ C$ to $125\ ^\circ C$		4% + 1%FS	8% + 2%FS	
$I_{CURRLSHC1/2\ acc}$	LS current monitor accuracy in HC mode	$0\ V \leq V_{CURR1/2} \leq V_{CC} - 1\ V$, $V_{CC} = 5\ V$; $0.4\ A \leq I_{OUT\ 1-8} \leq 0.8\ A$ (FS = full scale= 800 mA*current ratio)		4% + 1%FS	10% + 3%FS	-
$I_{CURRLSLC1/2\ acc}$	LS current monitor accuracy in LC mode	$0\ V \leq V_{CURR1/2} \leq V_{CC} - 1\ V$, $V_{CC} = 5\ V$; $I_{OUT\ 1-8\ max} = 0.4\ A$ (FS = full scale= 800 mA*current ratio)		4% + 1%FS	10% + 3%FS	-

Table 12. Current monitor dynamic characteristics

Symbol	Parameter	Test condition	Min.	Typ.	Max.	Unit
t_{d-CM}	Output to current monitor delay time	I_{OUT} from 100 mA to 200 mA; t_{d-CM} measured from 50 % I_{OUT} to 50 % ICM	—	2	—	μs

Table 13. SMPS switched mode power supply gate driver output

Symbol	Parameter	Test condition	Min.	Typ.	Max.	Unit
V_{SMPSHI}	SMPS output voltage high	$V_S = 8\ V$, $I_{SMPS} = -10\ mA$	4.5	5.5	6.5	V
V_{SMPL}	SMPS output voltage low	$V_S = 8\ V$, $I_{SMPS} = 10\ mA$			100	mV
t_{SMPSH}	Output rise time	$V_S = 13.5\ V$, $C_{out} = 2\ nF$		110	160	ns
t_{SMPSL}	Output fall time	$V_S = 13.5\ V$, $C_{out} = 2\ nF$		110	160	ns

Table 13. SMPS switched mode power supply gate driver output

Symbol	Parameter	Test condition	Min.	Typ.	Max.	Unit
$t_{dONSMPS}$	Output delay time, switch to high	$V_S = 13.5\text{ V}$, $C_{out} = 2\text{ nF}$		110	160	ns
$t_{dOFFSMPS}$	Output delay time, switch to low	$V_S = 13.5\text{ V}$, $C_{out} = 2\text{ nF}$		30	100	ns
$t_{dON-OFFSMPS}$	Output delay time difference ON/OFF	$V_S = 13.5\text{ V}$, $C_{out} = 2\text{ nF}$		80	120	ns
R_{SMPS}	Pull down resistor, SMPS		23	50	100	$k\Omega$

Figure 5. SMPS timings

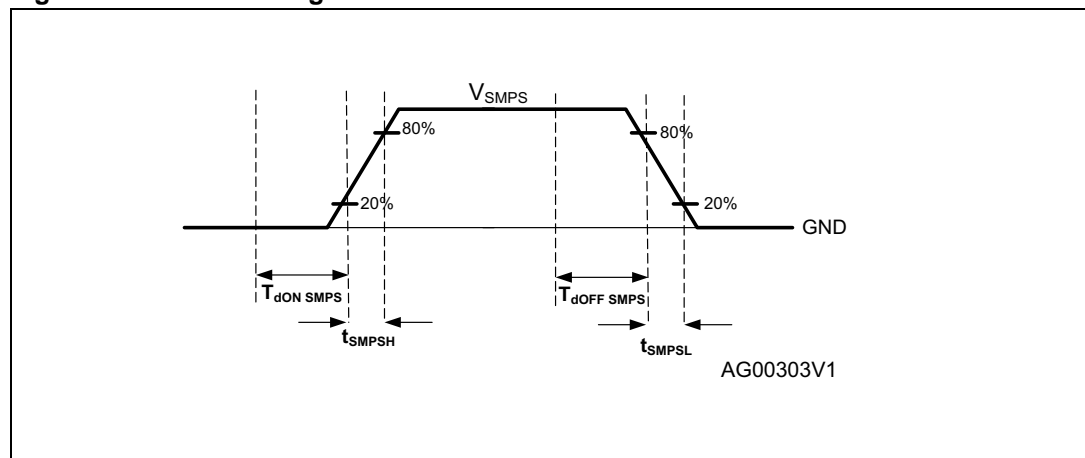


Table 14. Oscillator

Symbol	Parameter	Test condition	Min.	Typ.	Max.	Unit
f_{CLK}	Internal clock frequency		2.8	4	5.2	MHz

4.4.1 SPI electrical characteristics

$V_S = 6$ to 18 V , $V_{CC} = 3.0$ to 5.3 V , $T_j = -40$ to $150\text{ }^\circ\text{C}$, unless otherwise specified.

The voltages are referred to GND and currents are assumed positive, when the current flows into the pin.

Table 15. DC characteristics

Symbol	Parameter	Test condition	Min.	Typ.	Max.	Unit
SDI, SCK, CSN, EN						
V_{IL}	Input low voltage				$0.3V_{CC}$	V
V_{IH}	Input high voltage		$0.7V_{CC}$			V
$I_{CSN\text{ in}}$	Pull up current at input CSN	$V_{CSN} = 1.5\text{ V}$; $V_{CC} = 5\text{ V}$	8	20	40	μA

Table 15. DC characteristics (continued)

Symbol	Parameter	Test condition	Min.	Typ.	Max.	Unit
$I_{SCK\ in}$	Pull down current at input SCK	$V_{SCK} = 1.5\ V;$ $V_{CC} = 5\ V$	10	25	50	μA
$I_{DI\ in}$	Pull down current at input DI	$V_{DI} = 1.5\ V;$ $V_{CC} = 5\ V$	10	25	50	μA
$R_{EN\ in}$	Pull down resistor at input EN	$V_{EN} = 1.5\ V;$ $V_{CC} = 5\ V$	25	50	115	$k\Omega$
SDO						
V_{OL}	Output low voltage	$I_{out} = 2\ mA$		0.2	0.4	V
V_{OH}	Output high voltage	$I_{out} = +2\ mA$	$V_{CC} - 0.4$	$V_{CC} - 0.2$		V
I_{DOLK}	3-state leakage current	$V_{CSN} = V_{CC},$ $0\ V < V_{CC}$	-10		10	μA

Table 16. AC characteristics

Symbol	Parameter	Test condition	Min.	Typ.	Max.	Unit
SDO, SDI, SCK, CSN, EN						
$C_{OUT}^{(1)}$	Output capacitance (SDO)	$V_{OUT} = 0\ V\ to\ 5\ V$	—	—	10	pF
$C_{IN}^{(1)}$	Input capacitance (SDI)	$V_{IN} = 0\ V\ to\ 5\ V$	—	—	10	pF
	Input capacitance (other pins)	$V_{IN} = 0\ V\ to\ 5\ V$	—	—	10	pF

1. Guaranteed by design

Table 17. Dynamic characteristics⁽¹⁾

Symbol	Parameter	Test condition	Min.	Typ.	Max.	Unit
t_{EN}	EN high setup time				100	μs
t_{SCSN}	CSN setup time before SCK rising		400			ns
t_{HCSN}	CSN high time		2			μs
t_{CSNQV}	CSN falling until SDO valid	$C_{out} = 100\ pF$			100	ns
t_{CSNQT}	CSN rising until SDO 3-state	$C_{out} = 100\ pF$			150	ns
t_{SSCK}	SCK setup time before CSN rising		50			ns
t_{SSDI}	SDI setup time before SCK rising		40			ns
t_{HSCK}	SCK high time		200			ns
t_{LSCK}	SCK low time		200			ns
t_{SCKQV}	SCK falling until SDO valid	$C_{out} = 100\ pF$			150	ns

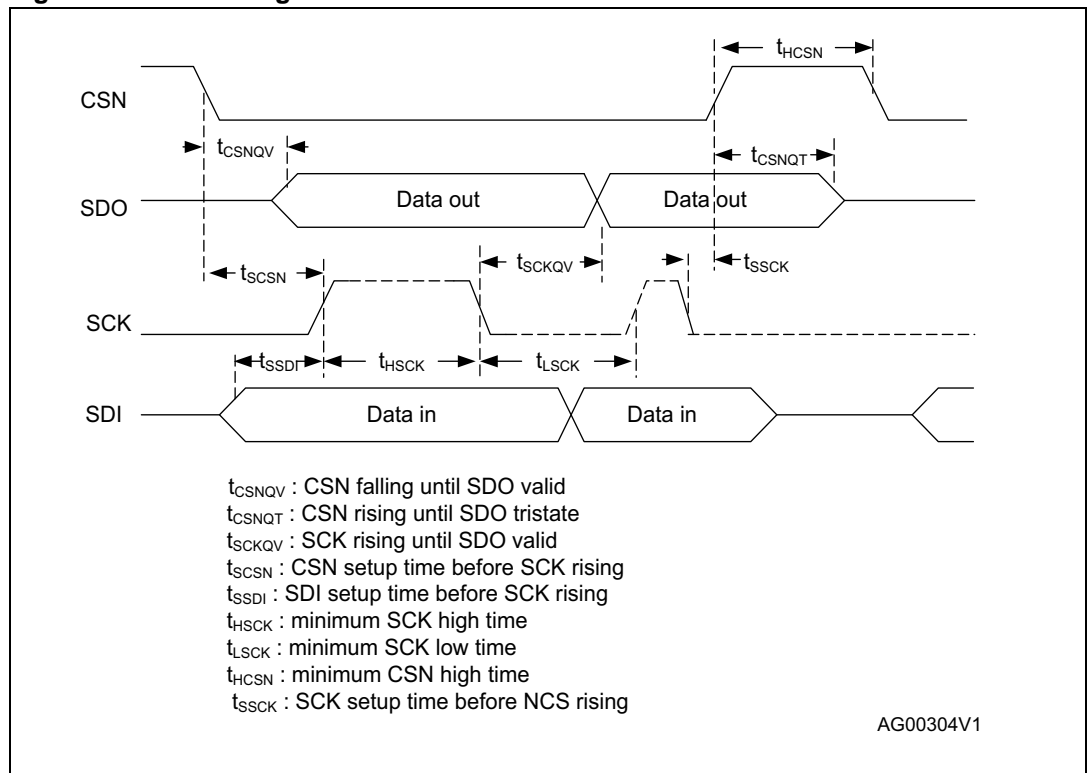
Table 17. Dynamic characteristics⁽¹⁾

Symbol	Parameter	Test condition	Min.	Typ.	Max.	Unit
t_{QLQH}	Output rise time	$C_{out} = 100 \text{ pF}$, $20\% - 80\% \times V_{CC}$			110	ns
t_{QHQL}	Output fall time	$C_{out} = 100 \text{ pF}$, $80\% - 20\% \times V_{CC}$			110	ns
f_{SPI}	SPI frequency				1	MHz

1. See Section 4.4.2: SPI timing parameter definition.

4.4.2 SPI timing parameter definition

Figure 6. SPI timing



5 Functional description of the SPI

5.1 Signal description

5.1.1 Serial clock (SCK)

This input signal provides the timing of the serial interface. Data present at Serial Data Input (SDI) is latched on the rising edge of Serial Clock (SCK). Data on Serial Data Out (SDO) is shifted out at the falling edge of Serial Clock (see [Figure 7](#)).

The SPI can be driven by a microcontroller with its SPI peripherals running in following mode: CPOL=0 and CPHA=0 (see [Figure 7](#)).

5.1.2 Serial data input (SDI)

This input is used to transfer data serially into the device. It receives the data to be written. Values are latched on the rising edge of Serial Clock (SCK).

Serial data output (SDO)

This output signal is used to transfer data serially out of the device. Data is shifted out on the falling edge of Serial Clock (SCK). SDO also reflects the status of the <Global Error Flag> (Bit 7 of the <Global Status Register>) while CSN is low and no clock signal is present.

Chip select not (CSN)

When this input signal is High, the device is deselected and Serial Data Output (SDO) is high impedance (3-state). Driving this input low enables the communication. The communication must start and stop on a low level of Serial Clock (SCK).

Figure 7. Clock polarity and clock phase

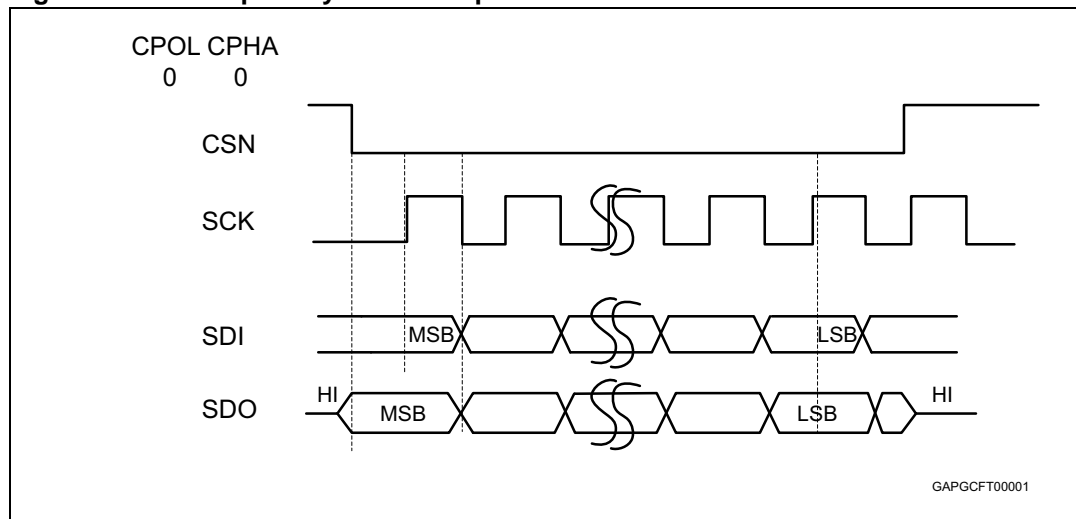
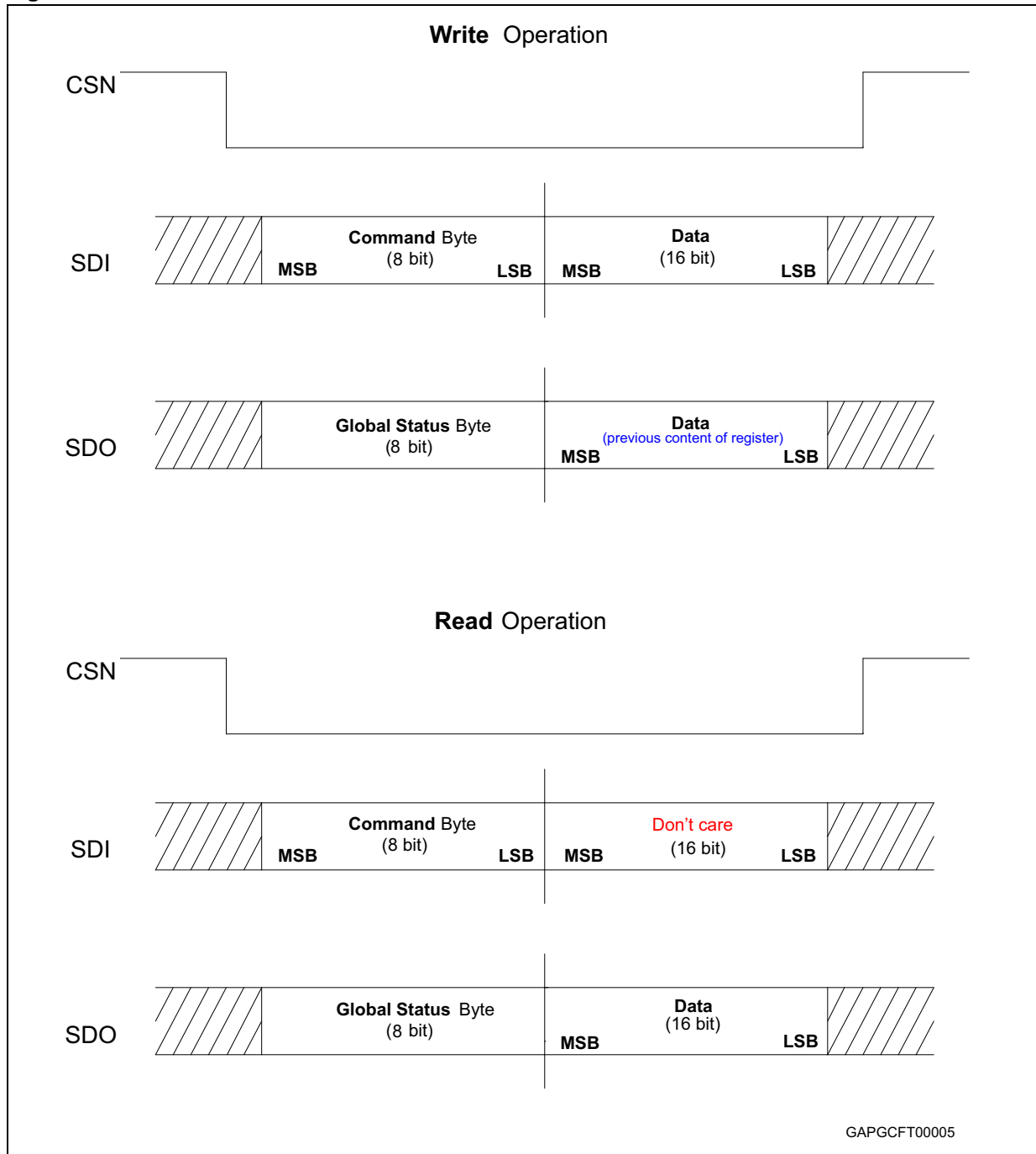


Figure 8. SPI frame structure



5.2 SPI communication flow

5.2.1 General description

The proposed SPI communication is based on a standard SPI interface structure using CSN (Chip Select Not), SDI (Serial Data In), SDO (Serial Data Out/Error) and SCK (Serial Clock) signal lines. Maximum SPI frequency is 1 MHz.

At the beginning of each communication the master reads the <SPI-frame-ID> register (ROM address 3EH) of the slave device. This 8-bit register indicates the SPI frame length (24-bit for the L99MD01) and the availability of additional features.

Each communication frame consists of an instruction byte which is followed by 2 data bytes (see [Figure 8](#)).

The data returned on SDO within the same frame always starts with the <Global Status> register. It provides general status information about the device. It is followed by 2bytes (i. e. 'In-frame-response', [Figure 8](#)).

For write cycles the <Global Status> register is followed by the previous content of the addressed register.

For read cycles the <Global Status> register is followed by the content of the addressed register.

Table 18. Command byte (8 bit)

	Operating code		Address					
Bit	23	22	21	20	19	18	17	16
Name	OC1	OC0	A5	A4	A3	A2	A1	A0

Table 19. Data byte

	Data byte 1								Data byte 0							
Bit	15	14	13	12	11	10	9	8	7	6	5	4	3	2	1	0
Name	D15	D14	D13	D12	D11	D10	D9	D8	D7	D6	D5	D4	D3	D2	D1	D0

5.2.2 Command byte

Each communication frame starts with a command byte. It consists of an operating code which specifies the type of operation (<Read>, <Write>, <Read and Clear Status>, <Read Device Information>) and a 6 bit address.

Table 20. Operating code definition

OC1	OC0	Meaning
0	0	<Write mode>
0	1	<Read mode>
1	0	<Read and clear status>
1	1	<Read device information>

The <Write Mode> and <Read Mode> operations allow access to the RAM of the device, i. e. write to control registers or read status information.

A <Read and Clear Status> operation addressed to a device specific status register reads back and subsequently clear this status register. A <Read and Clear Status> operation with address 3FH clears all status registers at a time and reads back the <Configuration> register.

A <Read and Clear Status> operation addressed to an unused RAM address register is identical to a <Read Mode> operation (in case of unused RAM address, the second byte is equal to 00H).

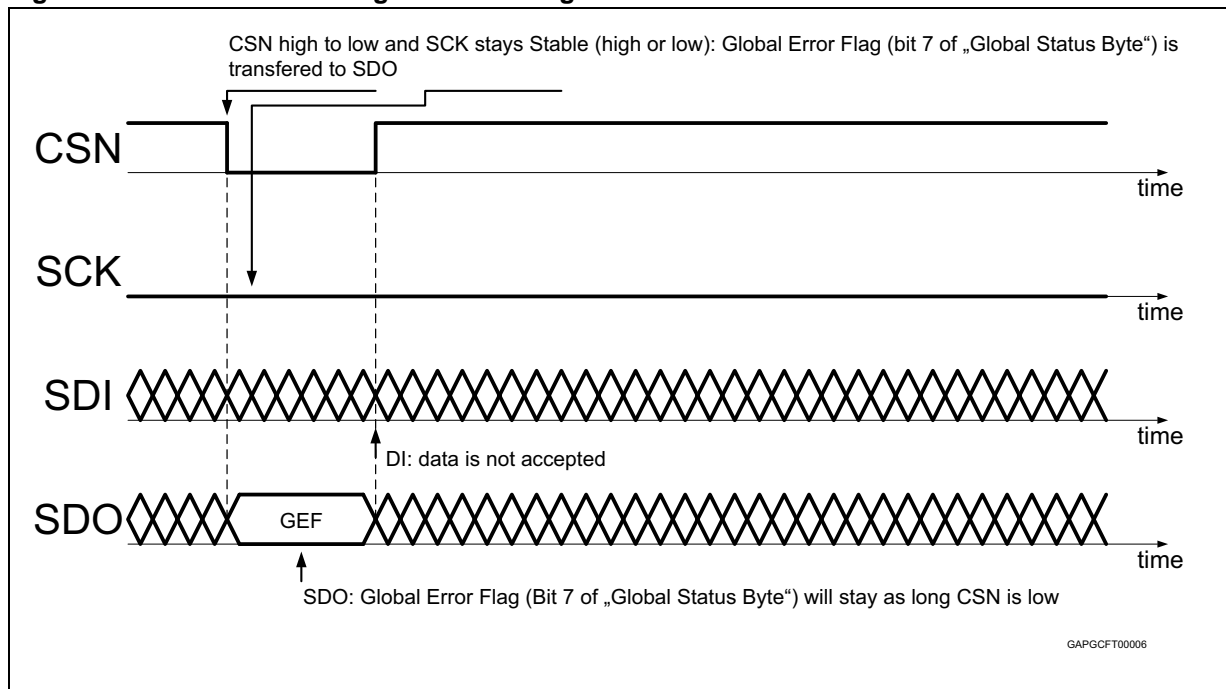
<Read Device Information> allows access to the ROM area which contains device related information such as the product family, product name, silicon version and register width.

Table 21. Global status byte

Bit	Description	Polarity	Comment						
0	Software reset or under/overvoltage	Active high	Depends on bit 5 of <Global Status Byte>: <table border="1" data-bbox="887 808 1390 1010"> <thead> <tr> <th>Bit 5</th> <th>Bit 0</th> </tr> </thead> <tbody> <tr> <td>0</td> <td>Set if software reset (SDI stuck at 1 or 0)</td> </tr> <tr> <td>1</td> <td>Logical OR of the under- / overvoltage status bits</td> </tr> </tbody> </table>	Bit 5	Bit 0	0	Set if software reset (SDI stuck at 1 or 0)	1	Logical OR of the under- / overvoltage status bits
Bit 5	Bit 0								
0	Set if software reset (SDI stuck at 1 or 0)								
1	Logical OR of the under- / overvoltage status bits								
1	Overcurrent detected	Active high	Set by any overcurrent event						
2	Open-load detected	Active high	Set by any open-load event						
3	Temp warning	Active high							
4	Thermal shutdown / chip overload	Active high							
5	Not (chip reset or communication error)	Active low	Activated by all internal reset events that change device state or configuration registers (e. g. software reset, V_{CC} under-voltage, etc.). The bit is set after a valid communication with any register. This bit is initially '0' and is set to '1' by a valid SPI communication						
6	Communication Error	Active high	Bit is set if the number of clock cycles during CSN = low does not match with the specified frame width or if an invalid bus condition is detected (SDI stuck at 1 or 0).						
7	Global Error Flag	Active high	Logic OR combination of all failures in the <Global Status Byte>.						

The <Global Error Flag> is generated by an OR-combination of all failure events of the device (i.e. bit 0 to bit 6 of the <Global Status Byte>).

Figure 9. Indication of the global error flag on SDO when CSN is low and SCK is stable.



The bit 0 of the <Global Status Byte> is a combination of an under/overvoltage warning and a software warning: If the bit 5 is one (this is the standard after a correct SPI communication), bit 0 is the logical OR of all under- and overvoltage status bits.

On the other hand, if there has been an SPI communication error or a chip reset (bit 5 is zero), then bit 0 gives a better indication about the SPI error: An SDI stuck-at error leads to a software reset and sets bit 0, while a clock pulse error only sets the communication error bit, clears bit 5 and clears also bit 0. This leads to the following table of possible states (assuming there is no under/overvoltage, overcurrent, openload or thermal error):

Table 22. Reset

State	Description	Global status
EN = 0 (power on reset)	All registers reset Outputs switched off (3-state)	1000 0000
Clock cycles != 24	Ignore frame No reset	1100 0000
SDI always 0	Software reset Outputs switched off	1100 0001
SDI always 1	Software reset Outputs switched off	1100 0001

Writing to the selected data input register is only enabled if exactly one frame length is transmitted within one communication frame (i.e. CSN low). If more or less clock pulses are counted within one frame, the complete frame is ignored and a SPI frame error is signaled in the Global Status register. This safety function is implemented to avoid an unwanted activation of output stages by a wrong communication frame.

For read operations, the *<communication error>* bit in the *<Global Status Byte>* is set, but the register to be read is still transferred to the SDO pin. If the number of clock cycles is smaller than the frame width, the data at SDO are truncated. If the number of clock cycles is larger than the frame width, the data at SDO are filled with '0' bits.

Due to this safety functionality a daisy chaining of SPI is not possible. Instead, a parallel operation of the SPI bus by controlling the CSN signal of the connected ICs is recommended.

Note: As the frame width is 24 bits, an initial Read of *<SPI-frame-ID>* using a 16 bits communication sets the *<communication Error bit>* of the *<Global Status Byte>*. A subsequent correct length transaction is necessary to correct this bit.

5.3 Write operation

OC0, OC1: operating code (00 for 'write' mode)

The write operation starts with a command byte followed by 2 data bytes.

For write cycles the *<Global Status>* register is followed by the previous content of the addressed register.

The RAM memory area consists of 16 bit registers. All unused RAM addresses are read as '0'.

Failures are indicated by activating the corresponding bit of the *<Global Status>* register.

Note: RAM address 00H is unused. An attempt to access this address is recognized as a communication line error ('Data-in stuck to GND') and all internal registers are cleared (software reset).

5.4 Read operation

OC0, OC1: operating code (01 for 'read' mode)

The read operation starts with a command byte followed by 2 data bytes. The content of the data bytes is 'don't care'. The content of the addressed register is shifted out at SDO within the same frame ('in-frame response').

The returned data byte represents the content of the register to be read.

Failures are indicated by activating the corresponding bit of the *<Global Status>* register.

5.5 Read and clear status operation

OC0, OC1: operating code (10 for 'read and clear status' mode)

The 'Read and Clear Status' operation starts with a command byte followed by 2 data bytes. The content of the data bytes is 'don't care'. The content of the addressed status register is transferred to SDO within the same frame ('in-frame response') and is subsequently cleared.

A 'Read and Clear Status' operation with address 3FH clears all Status registers simultaneously.

A <Read and Clear Status> operation addressed to an unused RAM address is identical to a <Read Mode> operation (in case of unused RAM address, the second byte is equal to 00H).

The returned data byte represents the content of the register to be read.

Failures are indicated by activating the corresponding bit of the <Global Status> register.

5.6 Read device information

OC0, OC1: operating code (11 for 'read device information mode').

The device information is stored at the ROM. In the ROM memory area, the first 8 bits are used. All unused ROM addresses are read as '0'.

Note: ROM address 3FH is unused. An attempt to access this address is recognized as a communication line error ('Data-in stuck to V_{CC} ') all internal registers are cleared (software reset).

6 SPI control and status register

Table 23. RAM memory map

Address	Name	Access	Content
01h	Control register 1	Read/write	Output switch on/off
02h	Control register 2	Read/write	SMPS driver configuration
03h	Control register 3	Read/write	Low-side high current mode V _S configuration SMPS configuration
04h	Control register 4	Read/write	Current multiplexer
05h	Control register 5	Read/write	PWM
06h	Control register 6	Read/write	Open-load
10h	Status register 0	Read only	Overcurrent
11h	Status register 1	Read only	Open-load
12h	Status register 2	Read only	TSD Over/undervoltage

Table 24. ROM memory map (access with OC0 and OC1 set to '1')

Address	Name	Access	Content
00h	ID Header	Read only	43h (device class ASSP, 2 additional information bytes)
01h	Version	Read only	00h (engineering samples) (ST-SPI)
02h	ProducCode1	Read only	3Eh (62 ST_SPI)
03h	ProducCode2	Read only	4Eh (N ST_SPI)
3Dh	Fuses	Read only	Fuse data 9 - 0
3Eh	SPI-Frame ID	Read only	02h SPI-Frame-ID Register (24 Bit ST_SPI)

6.1 Control status register

Default reset value is 0, all unused bits read 0, unused bits have to be set to 0

Table 25. Control status register

Address	Access	Data byte 1								Data byte 0							
		15	14	13	12	11	10	9	8	7	6	5	4	3	2	1	0
01h	R/W	HS8	LS8	HS7	LS7	HS6	LS6	HS5	LS5	HS4	LS4	HS3	LS3	HS2	LS2	HS1	LS1
Output switch on/off																	
02h	R/W	0	0	ON	ON	ON	ON	ON	ON	0	0	OFF	OFF	OFF	OFF	OFF	OFF
On/off cycles counter for SMPS driver (OFF must be > 3dec.)																	
03h	R/W	HC8	HC7	HC6	HC5	HC4	HC3	HC2	HC1	0	V_s OV warn/ shutdown	V_{s2} reco.	Wob	Wob	Freq dev.	Freq dev.	Rnd/ lin
Low-side high current (reset value = 1)									SMPS configuration								
04h	R/W	OUTx to CURR2	OUTx to CURR2	OUTx to CURR2	OUTx to CURR2	OUTx to CURR1	OUTx to CURR1	OUTx to CURR1	OUTx to CURR1	0	0	0	0	2K-fact	2K-fact	1K-fact	1K-fact
Current multiplexer																	
05h	R/W	0	0	0	0	0	0	PWM duty	OUT8	OUT7	OUT6	OUT5	OUT4	OUT3	OUT2	OUT1	
PWM																	
06h	R/W	0	0	0	0	0	0	0	disable OL8	disable OL7	disable OL6	disable OL5	disable OL4	disable OL3	disable OL2	disable OL1	
Open-load																	
10h	R	HS8	LS8	HS7	LS7	HS6	LS6	HS5	LS5	HS4	LS4	HS3	LS3	HS2	LS2	HS1	LS1
Status overcurrent																	

Table 25. Control status register (continued)

Address	Access	Data byte 1								Data byte 0							
		15	14	13	12	11	10	9	8	7	6	5	4	3	2	1	0
11h	R	0	0	0	0	0	0	0	0	OUT8	OUT7	OUT6	OUT5	OUT4	OUT3	OUT2	OUT1
Status open-load																	
		15	14	13	12	11	10	9	8	7	6	5	4	3	2	1	0
12h	R	0	0	0	0	0	0	0	0	TSD	TSD warn	V _{S2} UV	V _{S2} OV	V _S UV	V _S OV	V _{SB} UV	V _{SA} UV
Status TSD; over/ undervoltage																	

Table 26. Control register 1

Bit	Control register 1 (read/write); address 01h	
	Name	Comment
15	OUT8 – HS on/off	If a bit is set, the selected output driver is switched on. If the corresponding PWM enable bit is set the driver is PWMed. If the bits of HS- and LS-driver of the same half bridge are set, the HS- and the LS-driver is deactivated.
14	OUT8 – LS on/off	
13	OUT7 – HS on/off	
12	OUT7 – LS on/off	
11	OUT6 – HS on/off	
10	OUT6 – LS on/off	
9	OUT5 – HS on/off	
8	OUT5 – LS on/off	
7	OUT4 – HS on/off	
6	OUT4 – LS on/off	
5	OUT3 – HS on/off	
4	OUT3 – LS on/off	
3	OUT2 – HS on/off	
2	OUT2 – LS on/off	
1	OUT1 – HS on/off	
0	OUT1 – LS on/off	

Table 27. Control register 2

Bit	Control register 2 (read/write); address 02h	
	Name	Comment
SMPS frequency and duty cycle.		
15	-	
14	-	
13	SMPS on cycles bit 5	Number of ON cycles for SMPS driver, binary coded. Cycles are based on the internal oscillator If all bits are set to "1" the SMPS output is high for 63 clock cycles.
12	SMPS on cycles bit 4	
11	SMPS on cycles bit 3	
10	SMPS on cycles bit 2	
9	SMPS on cycles bit 1	
8	SMPS on cycles bit 0	
7	-	
6	-	
5	SMPS off cycles bit 5	Number of OFF cycles for SMPS driver, binary coded. Cycles are based on the internal Oscillator. If OFF is set to values 3 the SMPS driver is switched off. If all bits are set to "1" the SMPS output is low for 63 clock cycles.
4	SMPS off cycles bit 4	
3	SMPS off cycles bit 3	
2	SMPS off cycles bit 2	
1	SMPS off cycles bit 1	
0	SMPS off cycles bit 0	

Table 28. Control register 3

Bit	Control register 3 (read/write); address 03h	
	Name	Comment
15	High current LS 8	High current mode of low-side switch "0": The selected low-side switch is in low current mode. The overcurrent and open-load thresholds are reduced by ½. The selected current monitor ratio is doubled. "1" (default setting) the selected low-side switch is in high current mode
14	High current LS 7	
13	High current LS 6	
12	High current LS 5	
11	High current LS 4	
10	High current LS 3	
9	High current LS 2	
8	High current LS 1	
7	-	
6	V _S OV shutdown/warn	In case of V _S overvoltage "0": all outputs are switched off + status bit set "1": only status bit is set

Table 28. Control register 3 (continued)

Bit	Control register 3 (read/write); address 03h	
	Name	Comment
5	V _{S2} recovery	V _{S2} recovery mode: "0": no recovery after V _{S2} overvoltage "1": If the V _{S2} voltage falls below the threshold after a V _{S2} overvoltage condition, the SMPS goes again in active mode and the status bit is cleared
SMPS configuration		
4	Wobble bit 1	Wobble defines the modulation frequency deviation of the internal oscillator, definition see Table 29 .
3	Wobble bit 0	
2	Frequency deviation bit 1	Frequency deviation of the internal oscillator, definition see Table 30
1	Frequency deviation bit 0	
0	Rnd/Lin	Random/linear mode: "0": the oscillator is changed in linear mode like a triangle. "1": the oscillator frequency is distributed randomly.

Table 29. Wobble

Bit 4	Bit 3	Wobble
0	0	1.95 KHz
0	1	3.9 KHz
1	0	7.8 KHz
1	1	15.6 KHz

Table 30. Frequency deviation

Bit 2	Bit 1	Frequency deviation
0	0	0 %
0	1	5 %
1	0	10 %
1	1	20 %

Table 31. Control register 4

Bit	Control register 4 (read/write); address 04h									
	Name	Comment								
15	OUTx to CURR2 bit 2	Bit setting	111	110	101	100	011	010	001	000
14	OUTx to CURR2 bit 1	To CURR2	OUT8	OUT7	OUT6	OUT5	OUT4	OUT3	OUT2	OUT1
13	OUTx to CURR2 bit 0									
12	Enable CURR2	Enable the current monitor output 2								
11	OUTx to CURR1 bit 2	Bit setting	111	110	101	100	011	010	001	000
10	OUTx to CURR1 bit 1	To CURR1	OUT8	OUT7	OUT6	OUT5	OUT4	OUT3	OUT2	OUT1
9	OUTx to CURR1 bit 0									
8	Enable CURR1	Enable the current monitor output 1								
7	-									
6	-									
5	-									
4	-									
3	CURR2 K-factor	Current monitor ratio I_{OUTx}/I_{CURR} If the high current bit (register 03h) is set to 0 the ratio for the low-side is the double of the programmed one.								
2	CURR2 K-factor									
1	CURR1 K-factor									
0	CURR1 K-factor									

Table 32. Ratio for CURR2

Bit3	Bit2	Ratio for CURR2
0	0	1/1000
0	1	1/750
1	0	1/500
1	1	1/250

Table 33. Ratio for CURR1

Bit1	Bit0	Ratio for CURR1
0	0	1/1000
0	1	1/750
1	0	1/500
1	1	1/250

Table 34. Control register 5

Bit	Control register 5 (read/write); address 05h		
	Name	Comment	
15	-		
14	-		
13	-		
12	-		
11	-		
10	-		
9	PWM duty bit 1		
8	PWM duty bit 0		
7	PWM to OUT 8		
6	PWM to OUT 7		
5	PWM to OUT 6		
4	PWM to OUT 5		
3	PWM to OUT 4		
2	PWM to OUT 3		
1	PWM to OUT 2		
0	PWM to OUT 1		

Bit 9	Bit 8	PWM duty cycle
0	0	15 %
0	1	30 %
1	0	45 %
1	1	60 %

Bit	Name	Comment
5	PWM to OUT 6	PWM enable
4	PWM to OUT 5	"0": PWM disabled for this output
3	PWM to OUT 4	"1": If the corresponding enable bit is set and the PWM bit is set to "1" the programmed output is PWM'ed with typical 100 Hz

Table 35. Control register 6

Bit	Control register 6 (read/write); address 06h	
	Name	Comment
15	-	
14	-	
13	-	
12	-	
11	-	
10	-	
9	-	
8	-	
7	Disable OL OUT8	Disable the open-load measurement "0": open-load is signaled via the corresponding bit in status register 2 and the global error byte "1": in case of an open-load, no register changes. Also the global error register not changes.
6	Disable OL OUT7	
5	Disable OL OUT6	
4	Disable OL OUT5	
3	Disable OL OUT4	
2	Disable OL OUT3	
1	Disable OL OUT2	
0	Disable OL OUT1	

Table 36. Status register 0

Bit	Status register 0 (read only); address 10h	
	Name	Comment
15	HS8	Overcurrent error detected, driver is deactivated
14	LS8	
13	HS7	
12	LS7	
11	HS6	
10	LS6	
9	HS5	
8	LS5	
7	HS4	
6	LS4	
5	HS3	
4	LS3	
3	HS2	
2	LS2	
1	HS1	
0	LS1	

Table 37. Status register 1

Bit	Status register 1 (read only); address 11h	
	Name	Comment
15-8	-	-
7	Open-load Out8	Open-load detected, information only No changes if the corresponding disable OL bit (Control register 6) is set
6	Open-load Out7	
5	Open-load Out6	
4	Open-load Out5	
3	Open-load Out4	
2	Open-load Out3	
1	Open-load Out2	
0	Open-load Out1	

Table 38. Status register 2

Bit	Status register 2 (read only); address 12h	
	Name	Comment
15-8	-	-
7	TSD	Overtemperature detected: all the drivers are switched off
6	TSD warning	Overtemperature warning level detected, information only
5	V _{S2} UV	V _{S2} undervoltage
4	V _{S2} OV	V _{S2} overvoltage
3	V _S UV	V _S undervoltage
2	V _S OV	V _S overvoltage
1	V _{SB} UV	V _{SB} undervoltage
0	V _{SA} UV	V _{SA} undervoltage

7 Application examples

Figure 10. Driving 4 bipolar stepper motors simultaneously

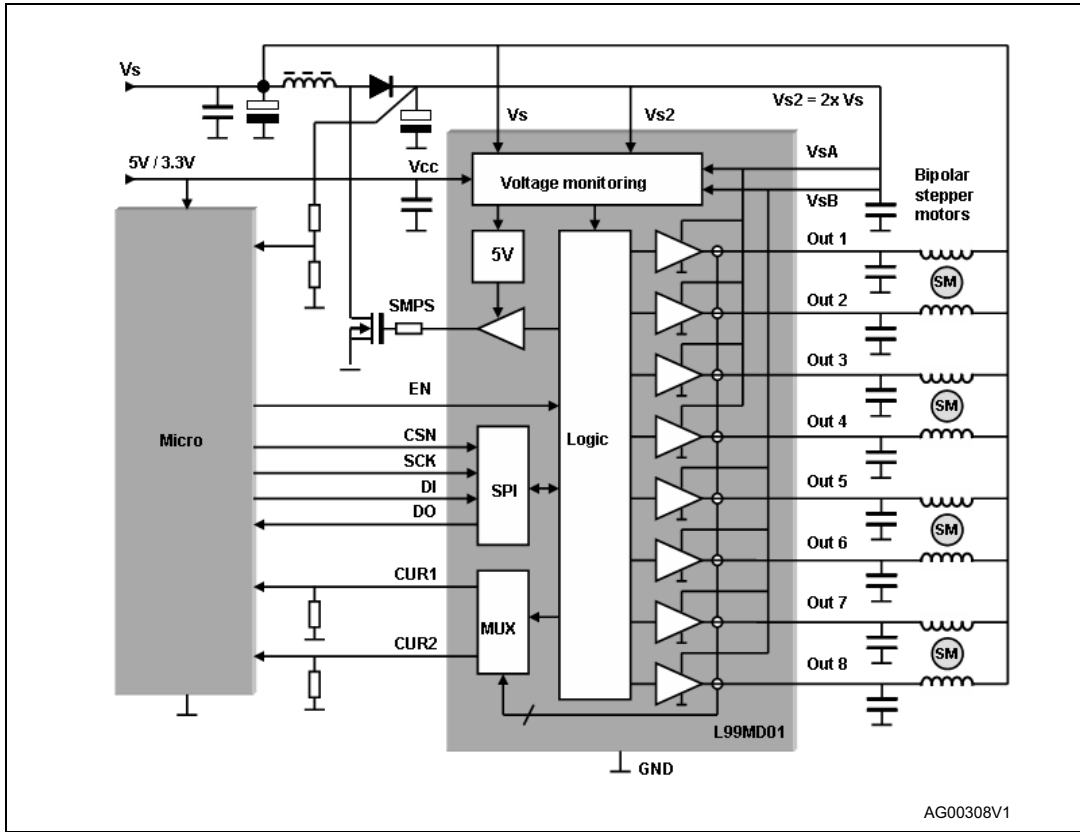


Figure 11. Driving 2 bipolar stepper motors simultaneously and 3 DC-motors sequentially

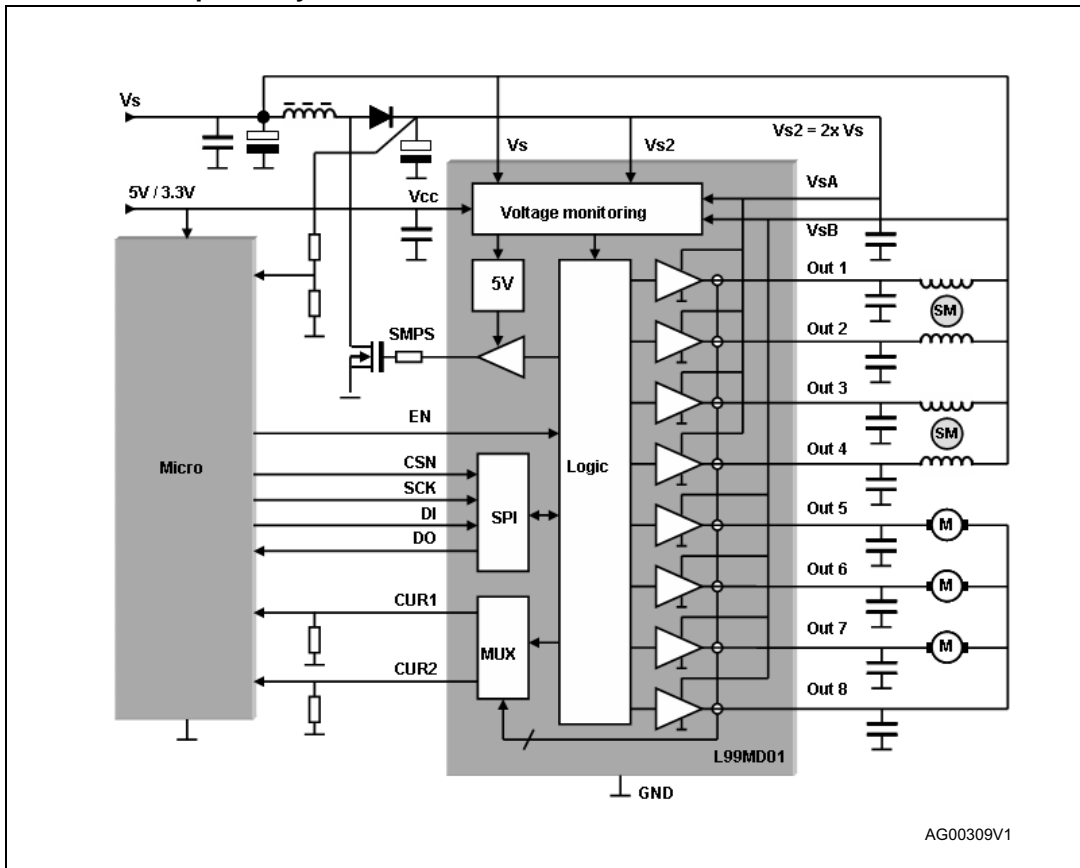


Figure 12. Driving 2 bipolar stepper motors simultaneously

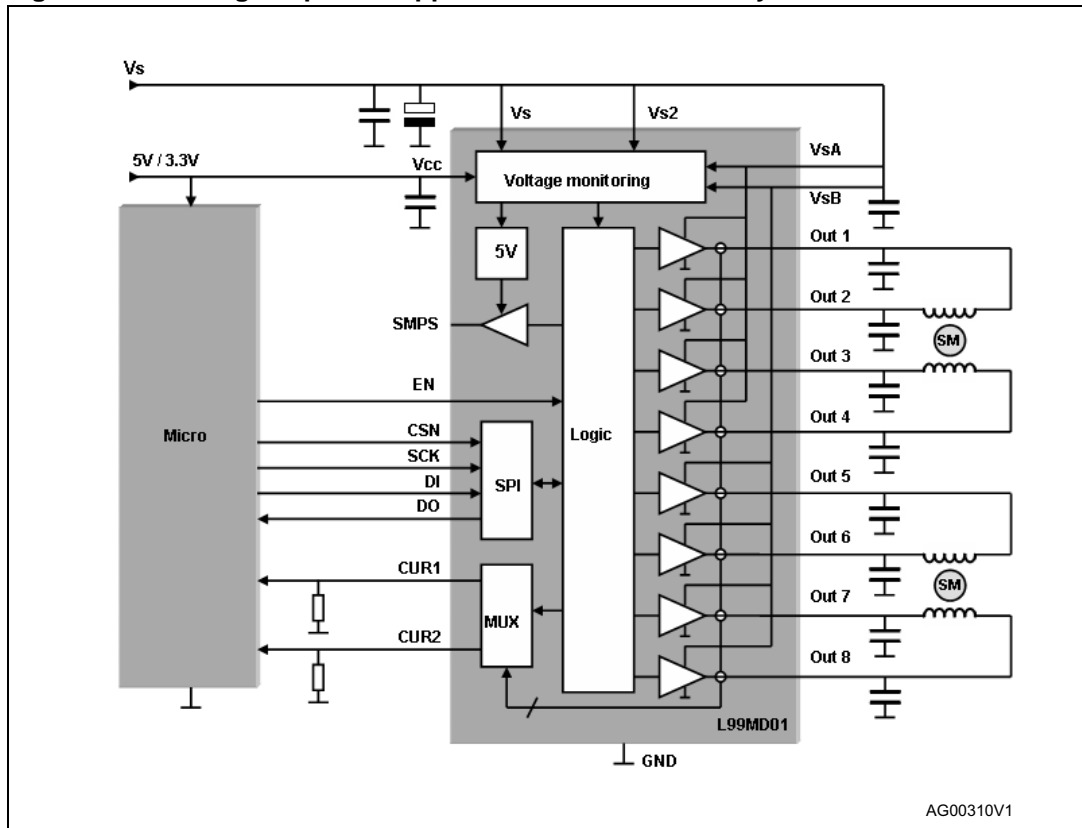


Figure 13. Driving 1 bipolar stepper motor and 2 DC-motors simultaneously

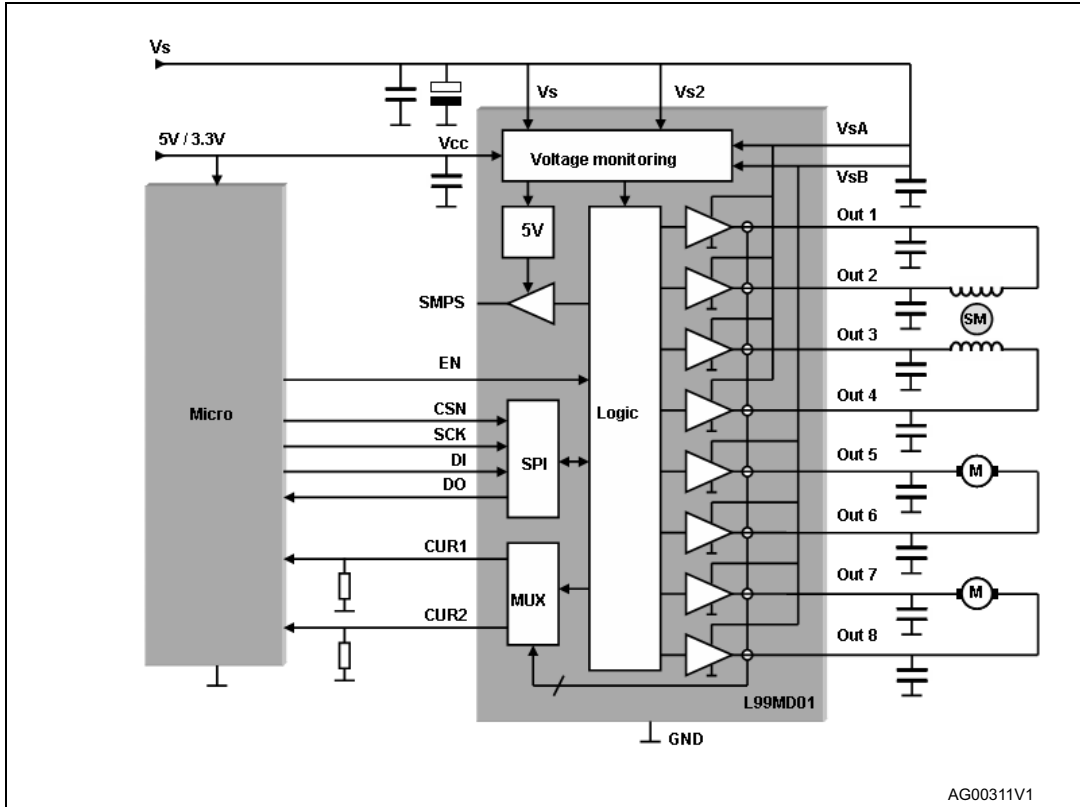


Figure 14. Driving 3 bipolar stepper motors sequentially

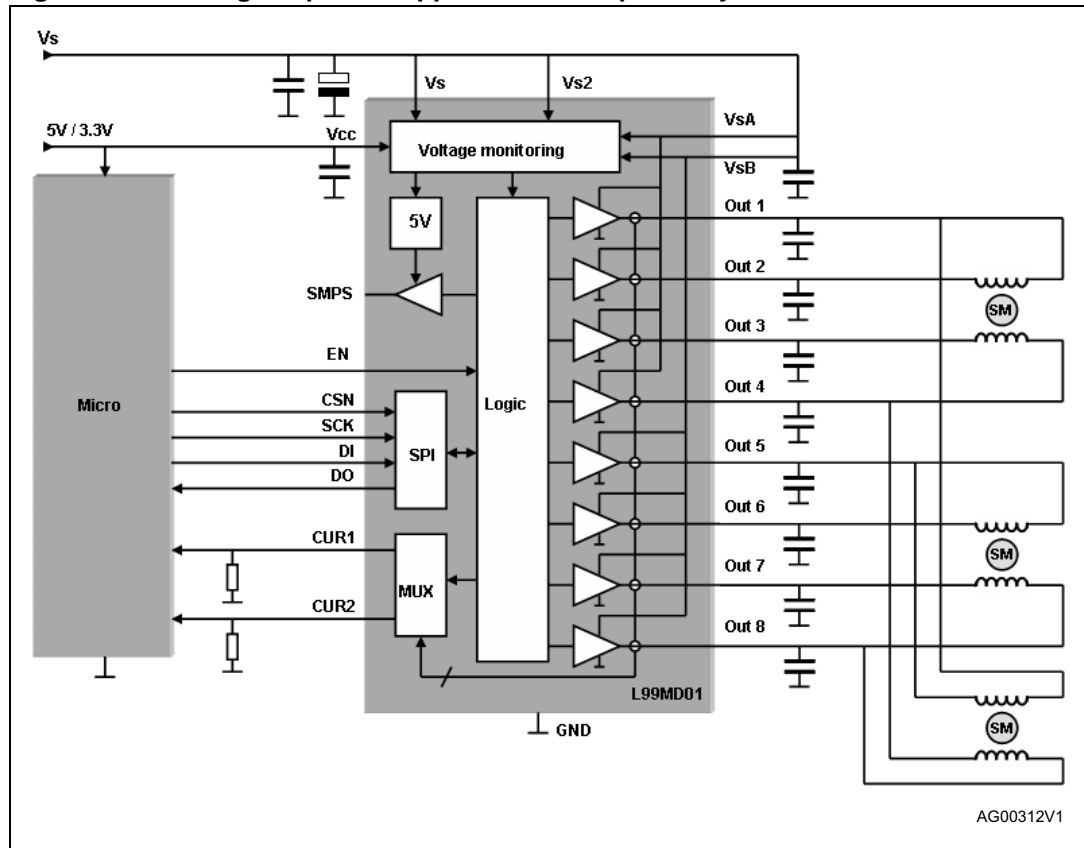


Figure 15. Driving 4 DC-motors simultaneously

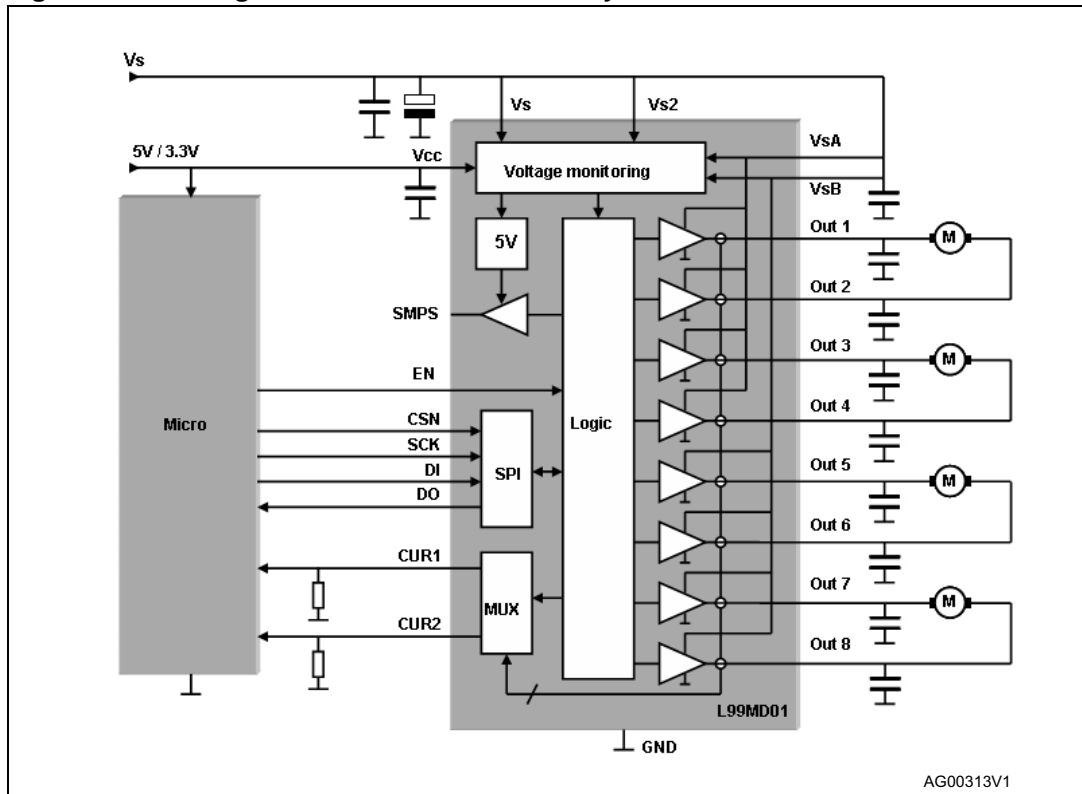


Figure 16. Driving 3 DC-motors simultaneously and 2 DC-motors sequentially

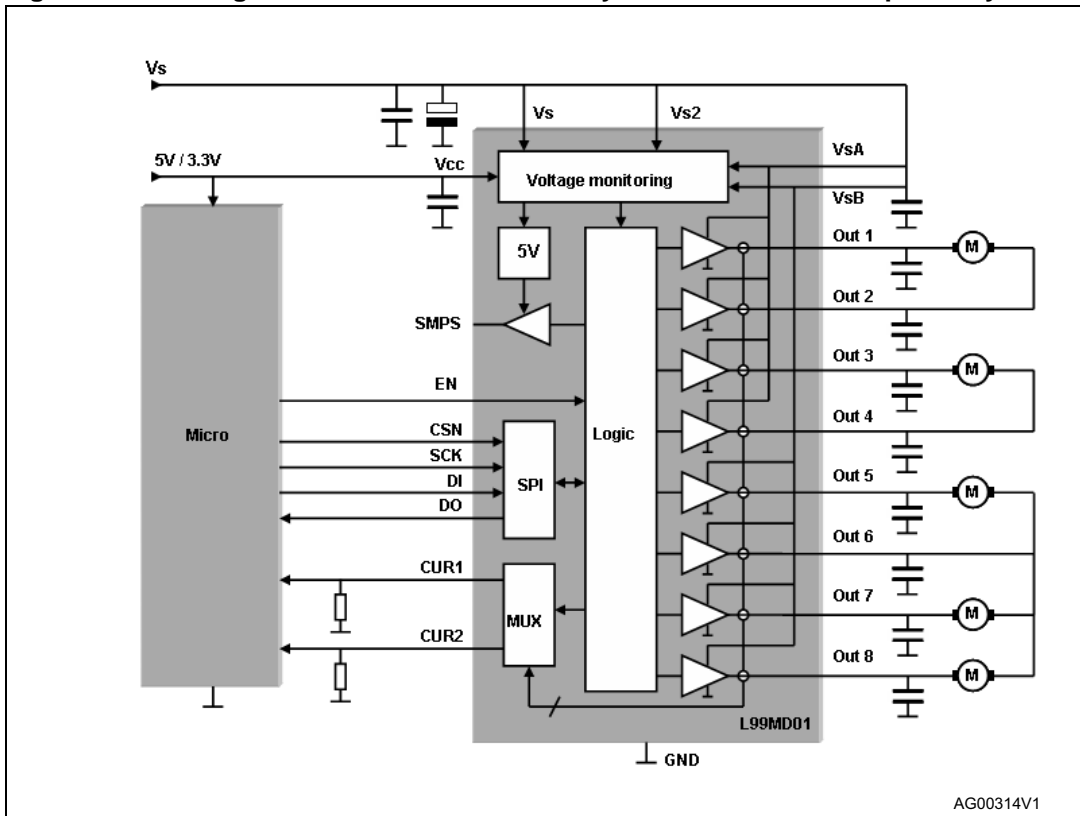


Figure 17. Driving 7 DC-motors sequentially

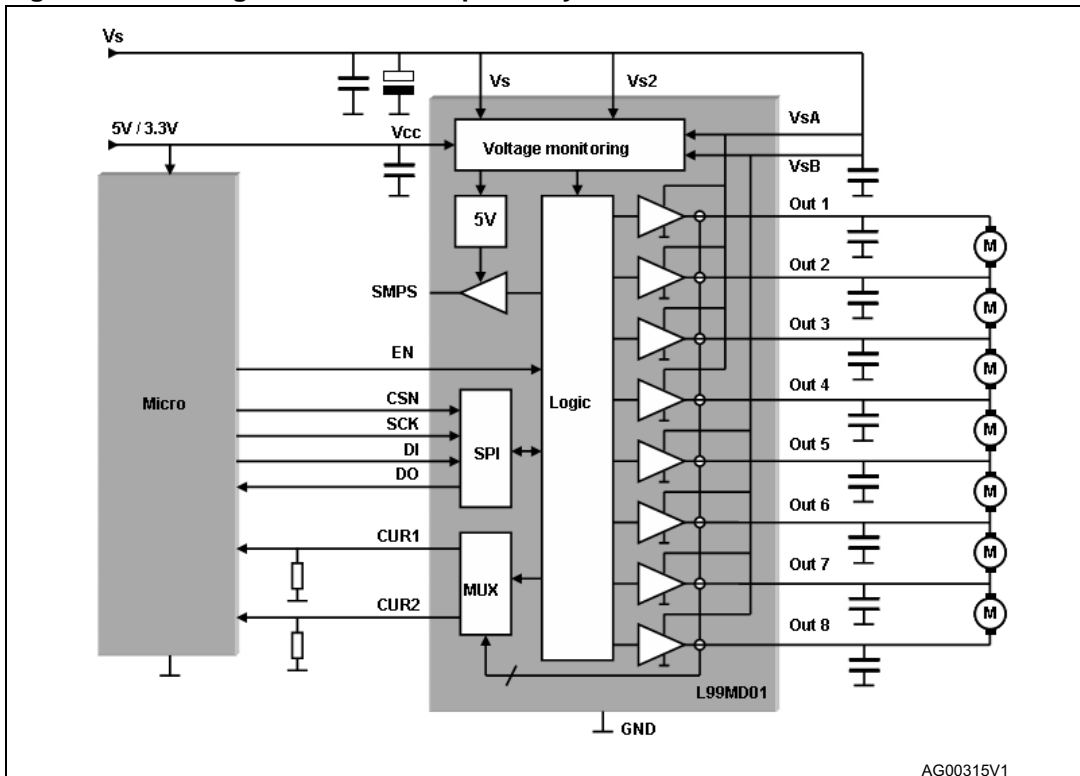


Figure 18. Driving simultaneously 4 unipolar wound stepper motors in bipolar mode

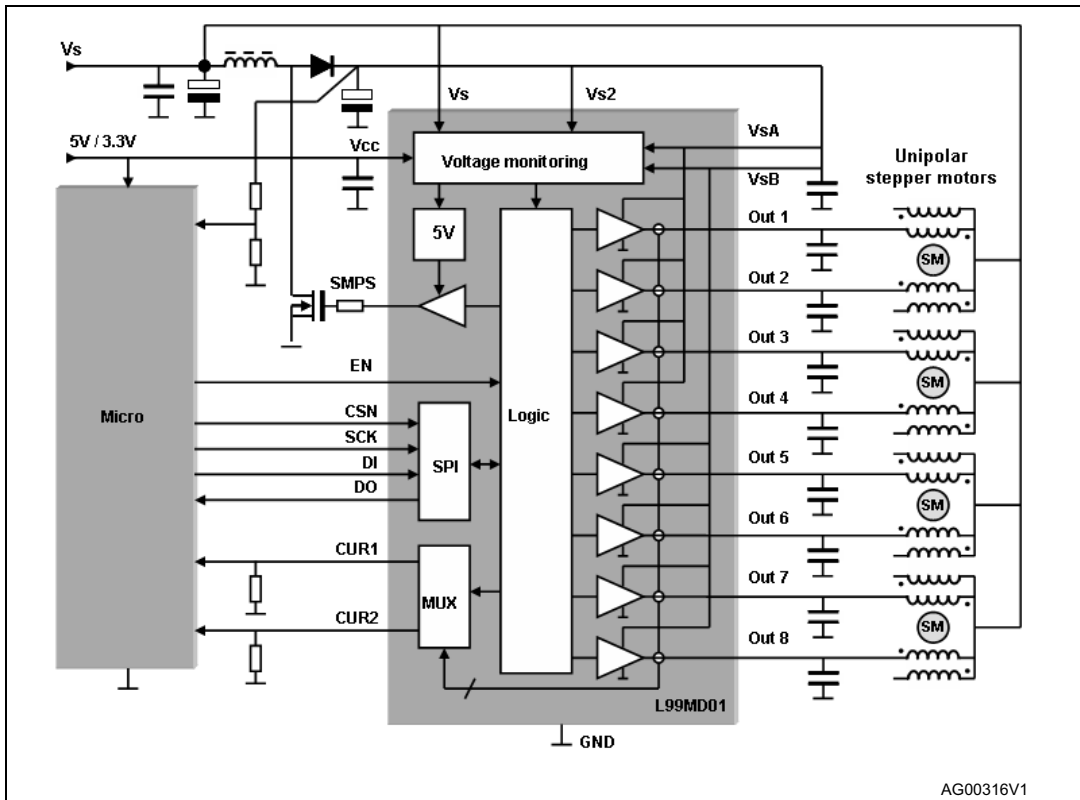
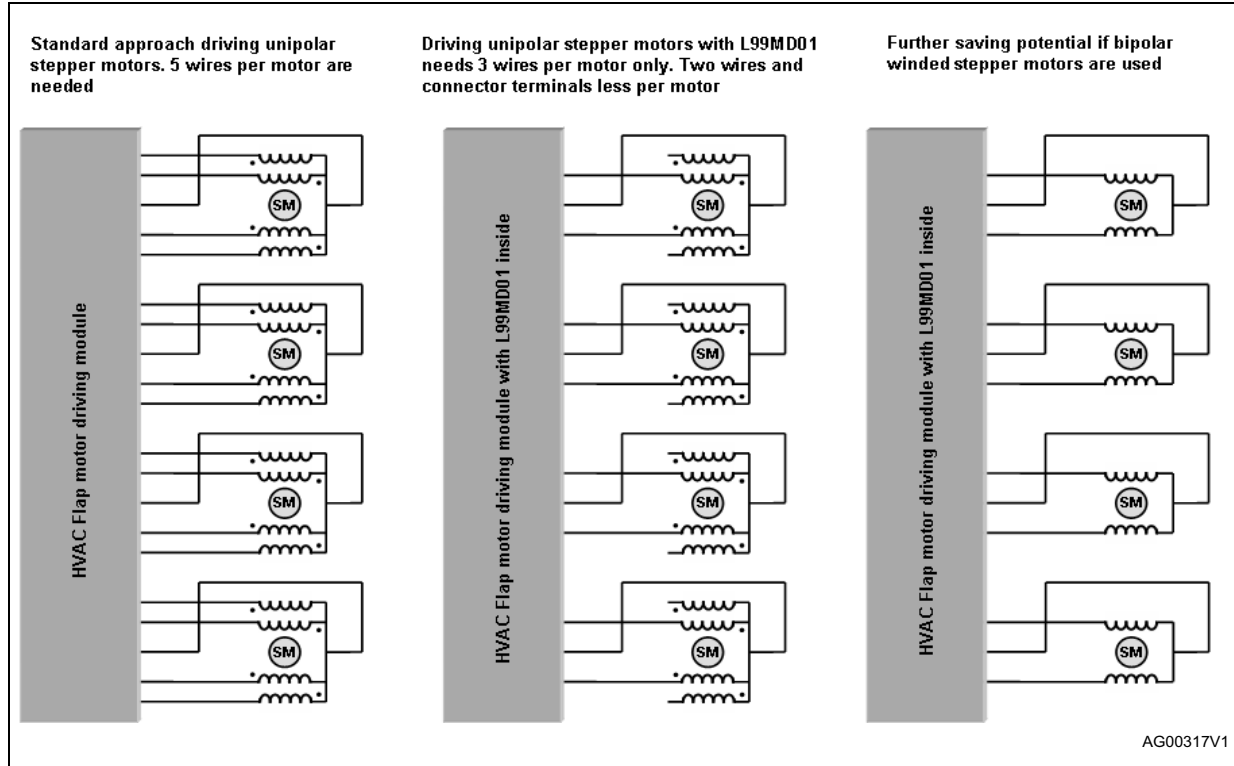


Figure 19. Cost saving impact using L99MD01 as stepper motor driver inside HVAC systems



8 Package and PCB thermal data

8.1 PowerSSO-36 thermal data

Figure 20. PowerSSO-36 PC board

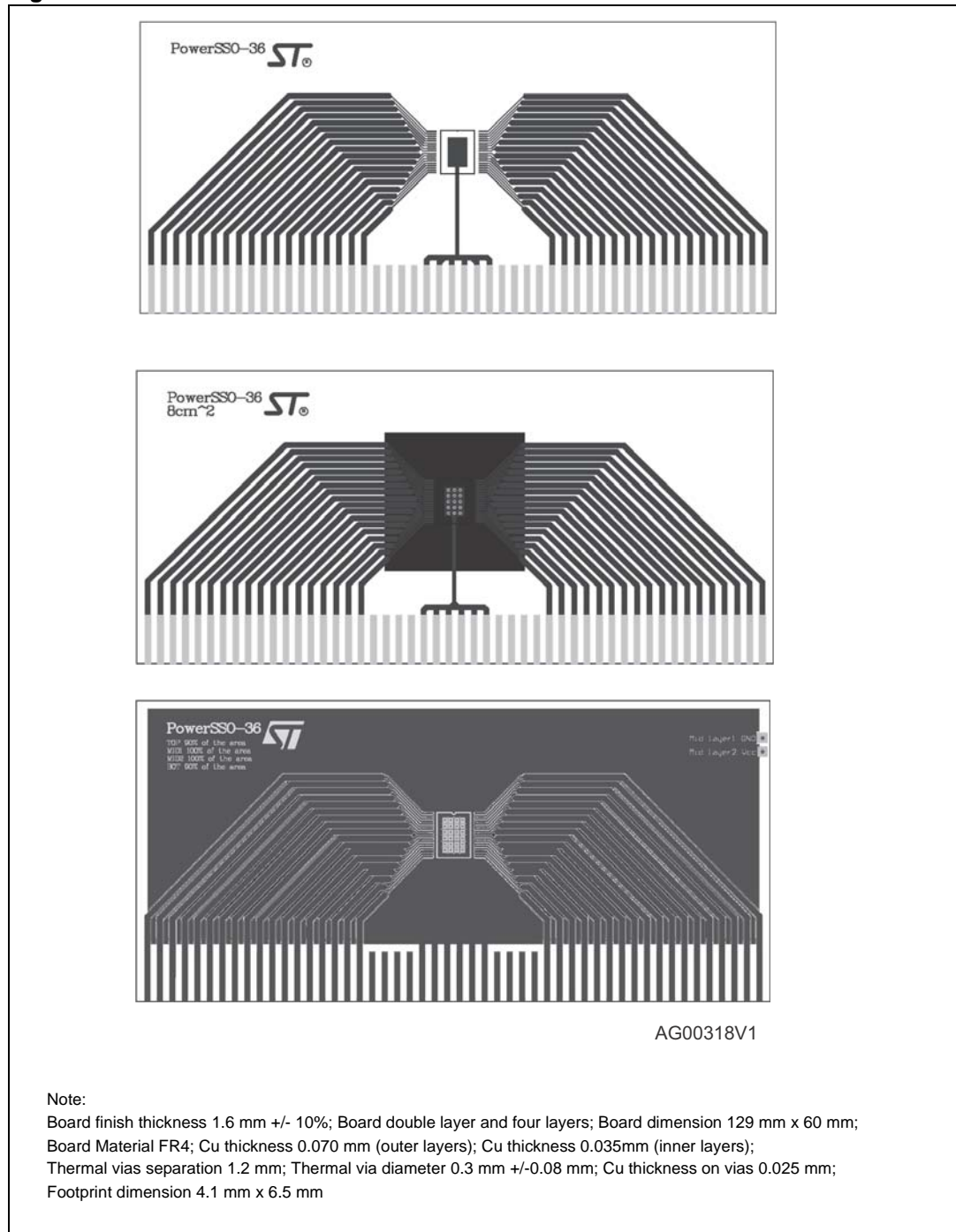
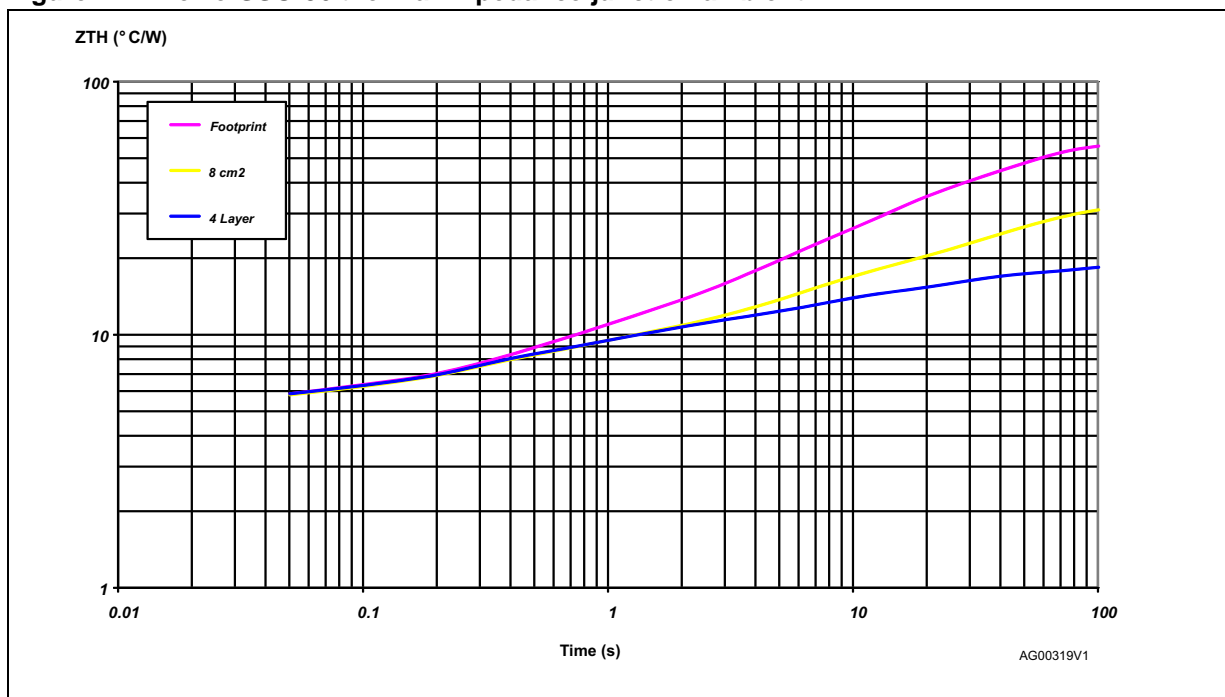


Figure 21. PowerSSO-36 thermal impedance junction ambient



9 Package information

9.1 ECOPACK[®] package

In order to meet environmental requirements, ST offers these devices in different grades of ECOPACK[®] packages, depending on their level of environmental compliance. ECOPACK[®] specifications, grade definitions and product status are available at: www.st.com. ECOPACK[®] is an ST trademark.

9.2 PowerSSO-36[™] mechanical data

Figure 22. PowerSSO-36[™] package dimensions

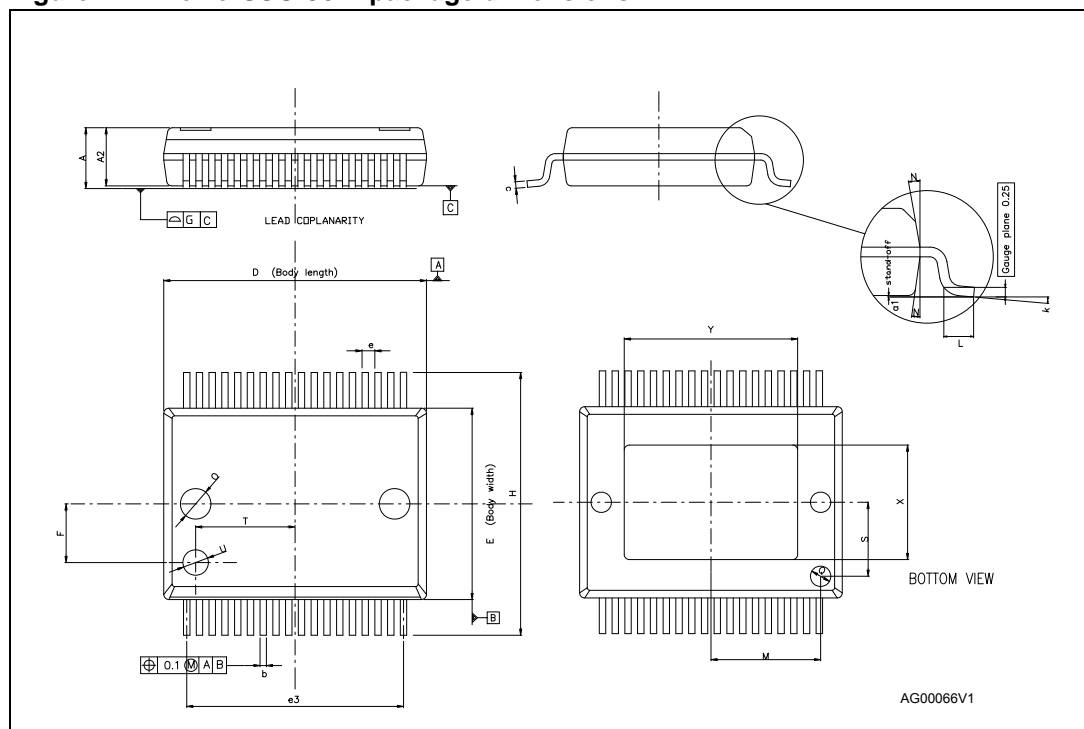


Table 39. PowerSSO-36 mechanical data

Symbol	Millimeters		
	Min.	Typ.	Max.
A	2.15	-	2.45
A2	2.15	-	2.35
a1	0	-	0.1
b	0.18	-	0.36
c	0.23	-	0.32
D ⁽¹⁾	10.10	-	10.50
E	7.4	-	7.6
e	-	0.5	-
e3	-	8.5	-
F	-	2.3	-
G	-	-	0.1
G1	-	-	0.06
H	10.1	-	10.5
h	-	-	0.4
k	0°	-	8°
L	0.55	-	0.85
M	-	4.3	-
N	-	-	10°
O	-	1.2	-
Q	-	0.8	-
S	-	2.9	-
T	-	3.65	-
U	-	1	-
X	4.3	-	5.2
Y	6.9	-	7.5

1. "D" and "E" do not include mold flash or protrusions. Mold flash or protrusions shall not exceed 0.15 mm per side (0.006").

9.3 Packing information

Figure 23. PowerSSO-36 tube shipment (no suffix)

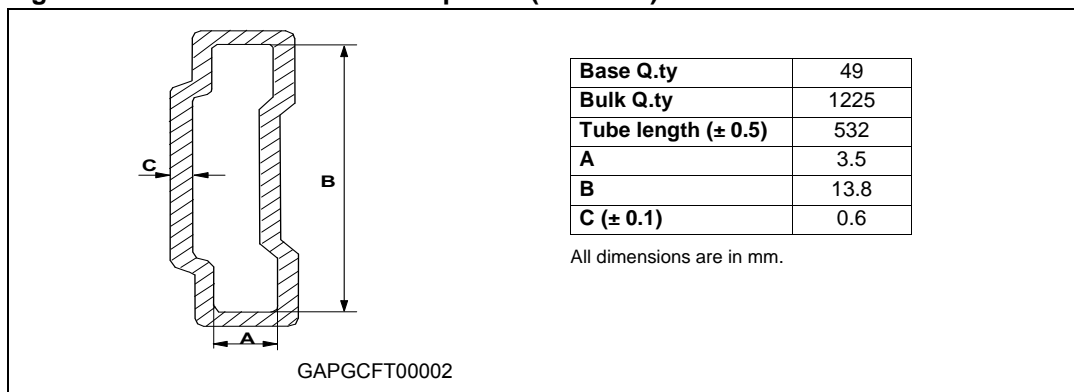
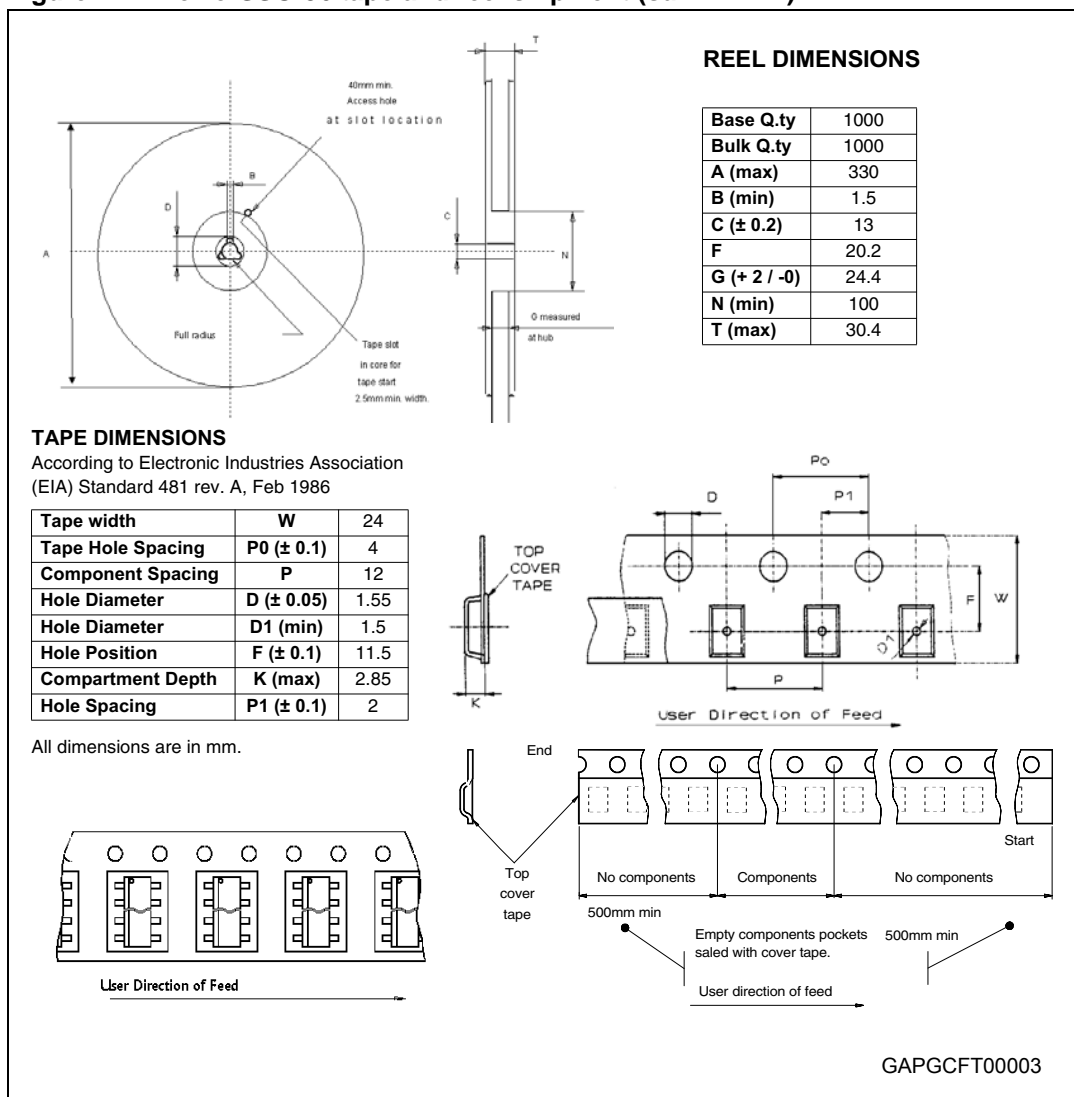


Figure 24. PowerSSO-36 tape and reel shipment (suffix "TR")



10 Revision history

Table 40. Document revision history

Date	Revision	Changes
22-Mar-2010	1	Initial release.
17-May-2010	2	<p>Updated <i>Features</i> list. Removed Block diagram Updated following tables:</p> <ul style="list-style-type: none"> – <i>Table 1: Device summary</i> – <i>Table 3: Pin description</i> – <i>Table 11: Current monitor output</i> <p>Updated <i>Section 2.3: Standby mode</i>, <i>Section 2.5: SMPS Switched Mode Power Supply</i> and <i>Section 2.10: V_S, V_{S2}, V_{SA}, V_{SB} monitoring</i>. <i>Section 9.2: PowerSSO-36™ mechanical data</i>:</p> <ul style="list-style-type: none"> – Updated <i>Figure 22: PowerSSO-36™ package dimensions</i> – Updated <i>Table 39: PowerSSO-36 mechanical data</i>
24-Jan-2011	3	<p>Updated <i>Features</i> list Updated <i>Figure 2: Power on reset</i> <i>Table 8: Supply</i>:</p> <ul style="list-style-type: none"> – I_{VS}: updated maximum value – I_{VSX}: updated test condition <p><i>Table 9: Overvoltage and undervoltage detection</i>:</p> <ul style="list-style-type: none"> – $V_{SUV\ OFF}$, $V_{SAUV\ OFF}$, $V_{SBUV\ OFF}$: updated maximum value – $V_{SUV\ hyst}$, $V_{SAUV\ hyst}$, $V_{SBUV\ OFF}$, $V_{SBUV\ hyst}$, $V_{SOV\ hyst}$, $V_{S2OV\ hyst}$: updated minimum value <p><i>Table 10: Switches</i>:</p> <ul style="list-style-type: none"> – $r_{ONLSLC\ 1-8}$: updated maximum value – I_{QLH}, I_{QLL}: updated minimum, typical and maximum values – $I_{OLDHS1-8}$, $I_{OLDLSHC1-8}$, $I_{OLDLSLC1-8}$: updated test condition, minimum and maximum values <p><i>Table 11: Current monitor output</i>:</p> <ul style="list-style-type: none"> – $I_{CURRHS1/2\ acc}$: updated test condition and maximum value – $I_{CURRLSHC1/2\ acc}$, $I_{CURRLSLC1/2\ acc}$: updated maximum value <p>Added <i>Table 12: Current monitor dynamic characteristics</i> <i>Table 13: SMPS switched mode power supply gate driver output</i>. R_{SMPS}: updated minimum and maximum values Updated <i>Section 2.9: Temperature warning and thermal shutdown</i> Added <i>Chapter 8: Package and PCB thermal data</i></p>
23-Feb-2011	4	Updated tables <i>Table 12: Current monitor dynamic characteristics</i>
19-Sep-2013	5	Updated disclaimer.
20-sep-2013	6	Updated disclaimer and revision in all document.

Please Read Carefully:

Information in this document is provided solely in connection with ST products. STMicroelectronics NV and its subsidiaries ("ST") reserve the right to make changes, corrections, modifications or improvements, to this document, and the products and services described herein at any time, without notice.

All ST products are sold pursuant to ST's terms and conditions of sale.

Purchasers are solely responsible for the choice, selection and use of the ST products and services described herein, and ST assumes no liability whatsoever relating to the choice, selection or use of the ST products and services described herein.

No license, express or implied, by estoppel or otherwise, to any intellectual property rights is granted under this document. If any part of this document refers to any third party products or services it shall not be deemed a license grant by ST for the use of such third party products or services, or any intellectual property contained therein or considered as a warranty covering the use in any manner whatsoever of such third party products or services or any intellectual property contained therein.

UNLESS OTHERWISE SET FORTH IN ST'S TERMS AND CONDITIONS OF SALE ST DISCLAIMS ANY EXPRESS OR IMPLIED WARRANTY WITH RESPECT TO THE USE AND/OR SALE OF ST PRODUCTS INCLUDING WITHOUT LIMITATION IMPLIED WARRANTIES OF MERCHANTABILITY, FITNESS FOR A PARTICULAR PURPOSE (AND THEIR EQUIVALENTS UNDER THE LAWS OF ANY JURISDICTION), OR INFRINGEMENT OF ANY PATENT, COPYRIGHT OR OTHER INTELLECTUAL PROPERTY RIGHT.

ST PRODUCTS ARE NOT DESIGNED OR AUTHORIZED FOR USE IN: (A) SAFETY CRITICAL APPLICATIONS SUCH AS LIFE SUPPORTING, ACTIVE IMPLANTED DEVICES OR SYSTEMS WITH PRODUCT FUNCTIONAL SAFETY REQUIREMENTS; (B) AERONAUTIC APPLICATIONS; (C) AUTOMOTIVE APPLICATIONS OR ENVIRONMENTS, AND/OR (D) AEROSPACE APPLICATIONS OR ENVIRONMENTS. WHERE ST PRODUCTS ARE NOT DESIGNED FOR SUCH USE, THE PURCHASER SHALL USE PRODUCTS AT PURCHASER'S SOLE RISK, EVEN IF ST HAS BEEN INFORMED IN WRITING OF SUCH USAGE, UNLESS A PRODUCT IS EXPRESSLY DESIGNATED BY ST AS BEING INTENDED FOR "AUTOMOTIVE, AUTOMOTIVE SAFETY OR MEDICAL" INDUSTRY DOMAINS ACCORDING TO ST PRODUCT DESIGN SPECIFICATIONS. PRODUCTS FORMALLY ESCC, QML OR JAN QUALIFIED ARE DEEMED SUITABLE FOR USE IN AEROSPACE BY THE CORRESPONDING GOVERNMENTAL AGENCY.

Resale of ST products with provisions different from the statements and/or technical features set forth in this document shall immediately void any warranty granted by ST for the ST product or service described herein and shall not create or extend in any manner whatsoever, any liability of ST.

ST and the ST logo are trademarks or registered trademarks of ST in various countries.

Information in this document supersedes and replaces all information previously supplied.

The ST logo is a registered trademark of STMicroelectronics. All other names are the property of their respective owners.

© 2013 STMicroelectronics - All rights reserved

STMicroelectronics group of companies

Australia - Belgium - Brazil - Canada - China - Czech Republic - Finland - France - Germany - Hong Kong - India - Israel - Italy - Japan - Malaysia - Malta - Morocco - Philippines - Singapore - Spain - Sweden - Switzerland - United Kingdom - United States of America

www.st.com