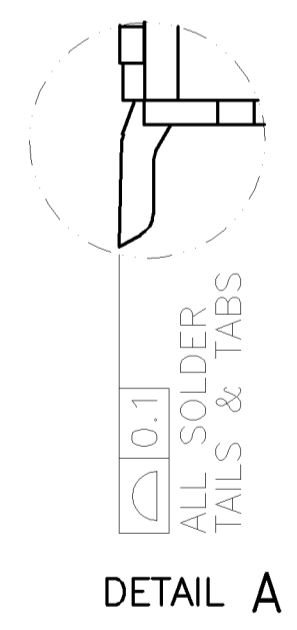
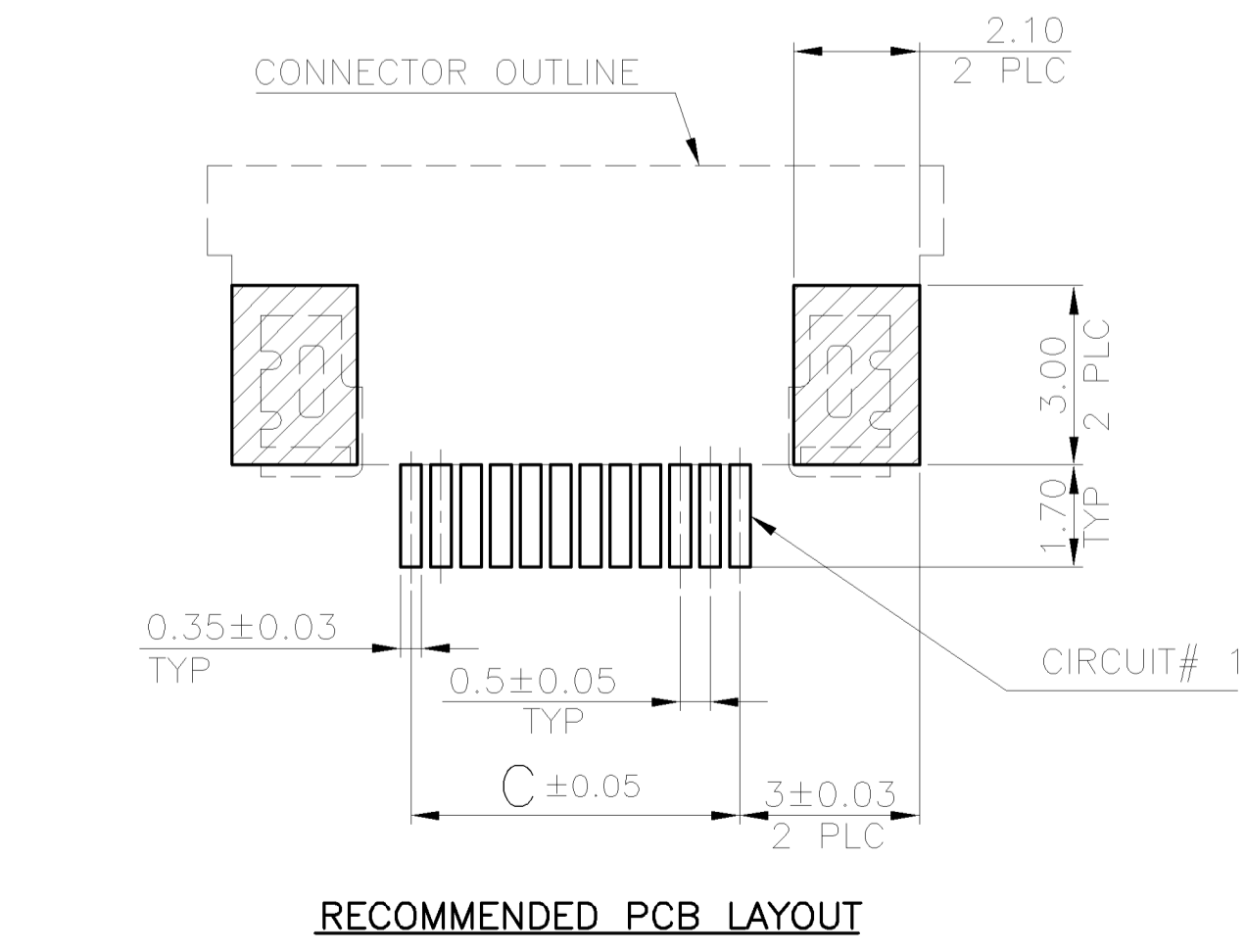
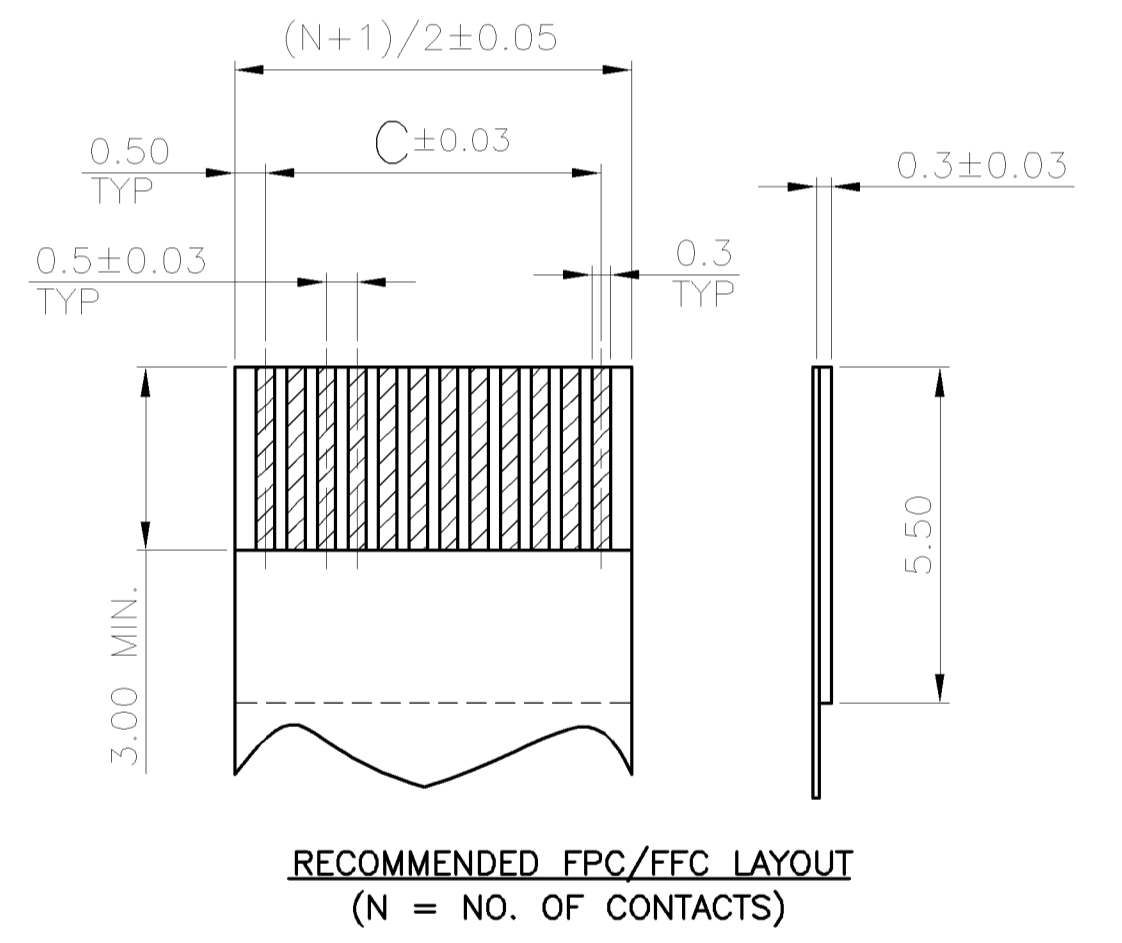
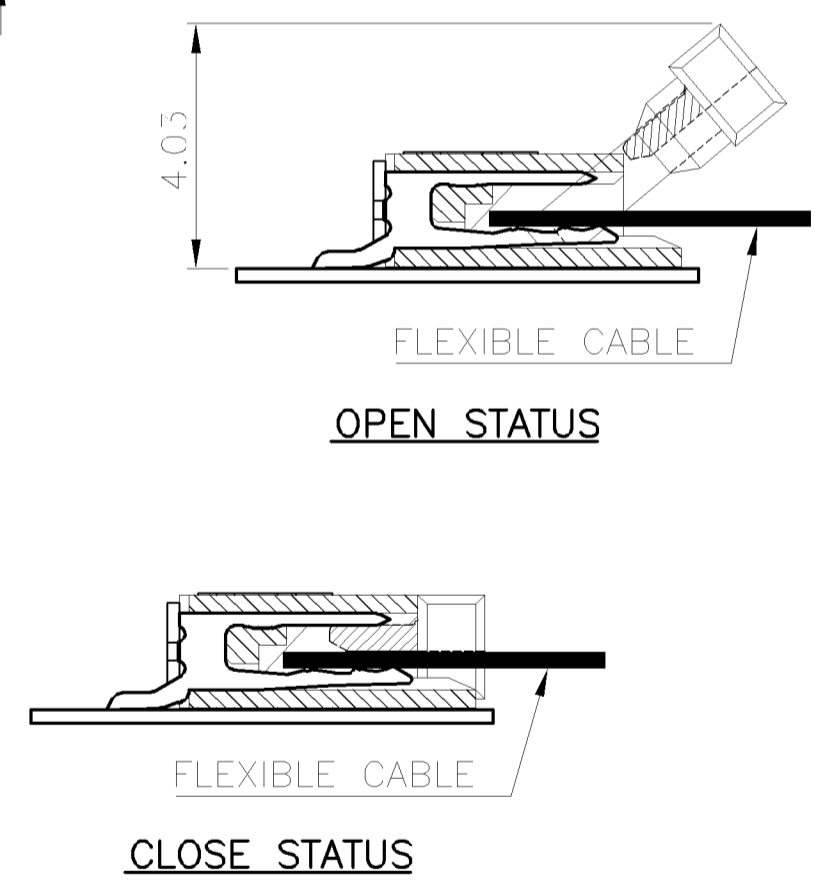
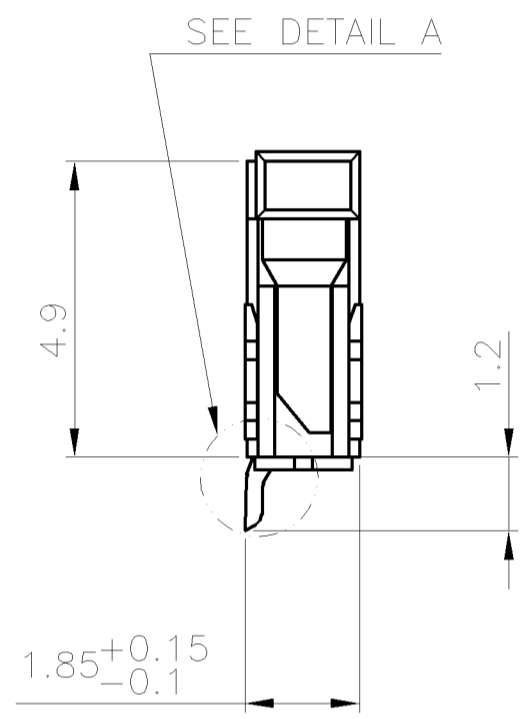
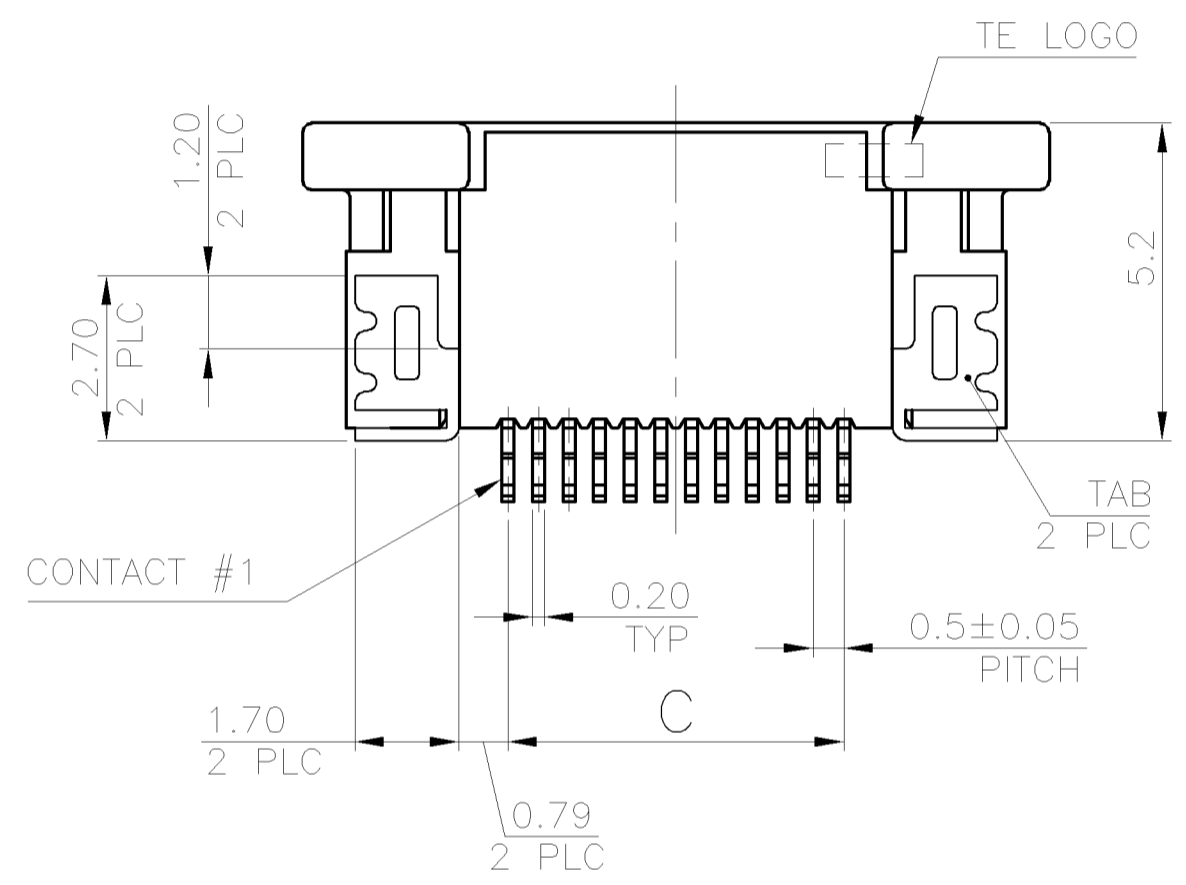
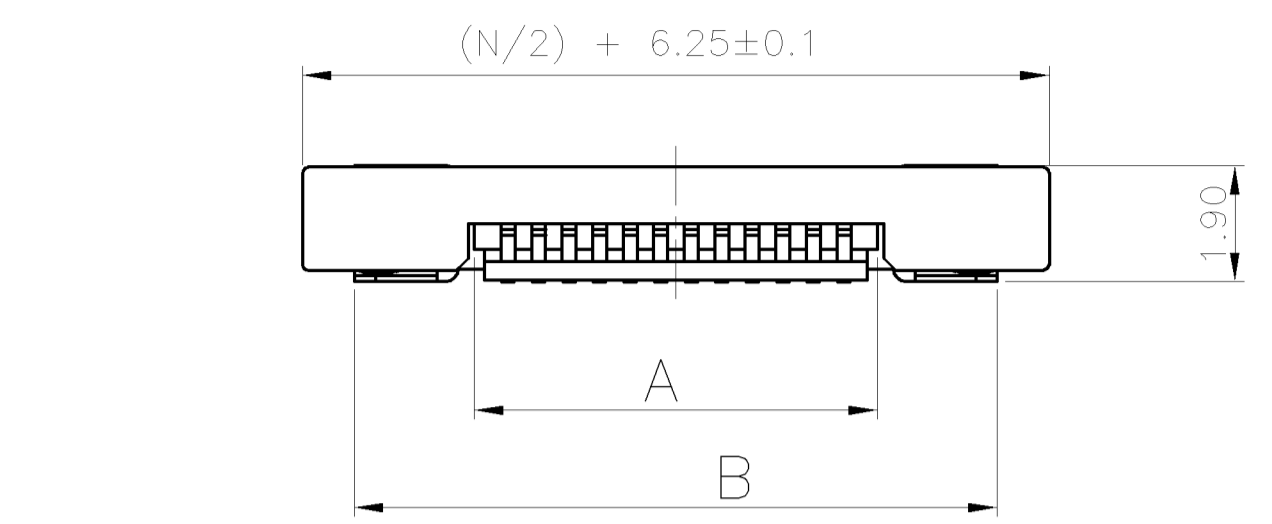


THIS DRAWING IS UNPUBLISHED. RELEASED FOR PUBLICATION
 © COPYRIGHT 2010 BY TYCO ELECTRONICS CORPORATION. ALL RIGHTS RESERVED.

LOC	DW	DIST	REVISIONS					
			P	LTR	DESCRIPTION	DATE	DWN	APVD
			B		OBSELETE	08JAN16	H.X	W.H

- NOTE:
- MATERIAL:
 HOUSING: PA6T WITH 30% GF, UL 94V-0, NATURAL COLOR.
 ACTUATOR: PPS WITH 45% GF, UL 94V-0, BLACK COLOR.
 CONTACTS: PHOSPHOR BRONZE.
 PEGS: PHOSPHOR BRONZE.
 - FINISH:
 CONTACTS: 0.0762µm [3µ"] MIN. GOLD PLATED ON CONTACT AREA, GOLD FLASH ON SOLDER TAIL, WITH ENTIRE CONTACT UNDERPLATED 1.27µm [50µ"] MIN. NICKEL
 PEGS: 2.54µm [100µ"] MIN. MATTE-TIN OVER 1.27µm [50µ"] MIN. NICKEL
 - REFLOW SOLDER CAPABLE TO 260°C AS PER TE SPEC. 109-201, CONDITION B.
 - SUBSTANCE RESTRICTIONS FOR LOW HALOGEN (BY WEIGHT):
 BROMINE (Br) ≤ 900 PPM (0.09%)
 CHLORINE (Cl) ≤ 900 PPM (0.09%)
 TOTAL CONCENTRATION OF CHLORINE (Cl) + BROMINE (Br) ≤ 1500 PPM (0.15%)



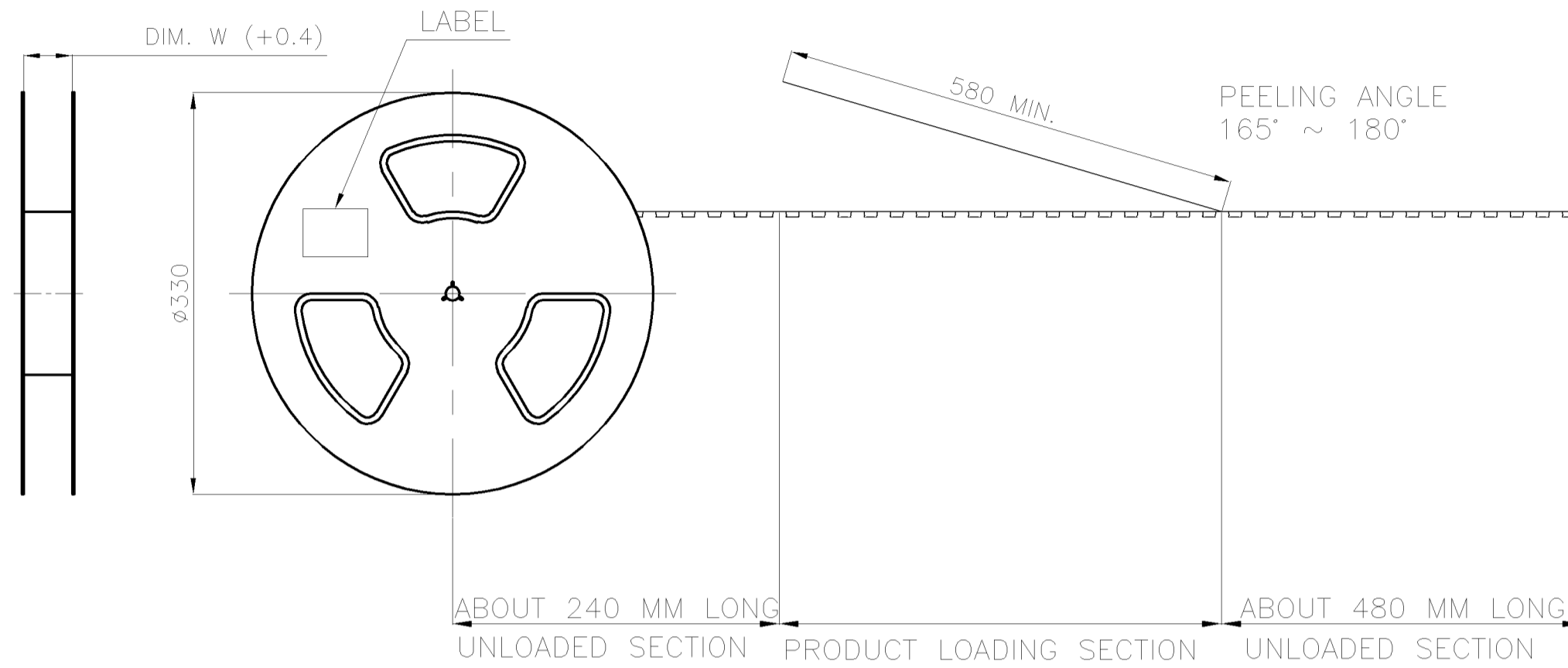
OBSELETE

6.21	5.5	10.51	6.60	12	1-2041324-2
WEIGHT (GRAMS)	C	B	A	NO. OF CONTACTS	PART NUMBER

THIS DRAWING IS A CONTROLLED DOCUMENT.		DWN	A. WU	03NOV2010	Tyco Electronics Corporation	
DIMENSIONS: MM		CHK	S. CHIEN	03NOV2010	Taipei, Taiwan	
TOLERANCES UNLESS OTHERWISE SPECIFIED:		APVD	W. KODAMA	03NOV2010	NAME	
0 PLC	± -	PRODUCT SPEC		FPC CONNECTOR, 0.5 MM PITCH, ZIF, BOTTOM CONTACT		
1 PLC	± 0.25	108-57364		SIZE		
2 PLC	± 0.2	APPLICATION SPEC		CAGE CODE		
3 PLC	± -	-		DRAWING NO		
4 PLC	± -	WEIGHT		RESTRICTED TO		
ANGLES	± -	SEE TABLE		A300779		
FINISH	SEE NOTE	CUSTOMER DRAWING		G=2041324		
MATERIAL		SEE NOTE		SCALE		SHEET
-		-		-		1 OF 2
-		-		-		REV
-		-		-		B

THIS DRAWING IS UNPUBLISHED. RELEASED FOR PUBLICATION
 © COPYRIGHT 2010 BY TYCO ELECTRONICS CORPORATION. ALL RIGHTS RESERVED.

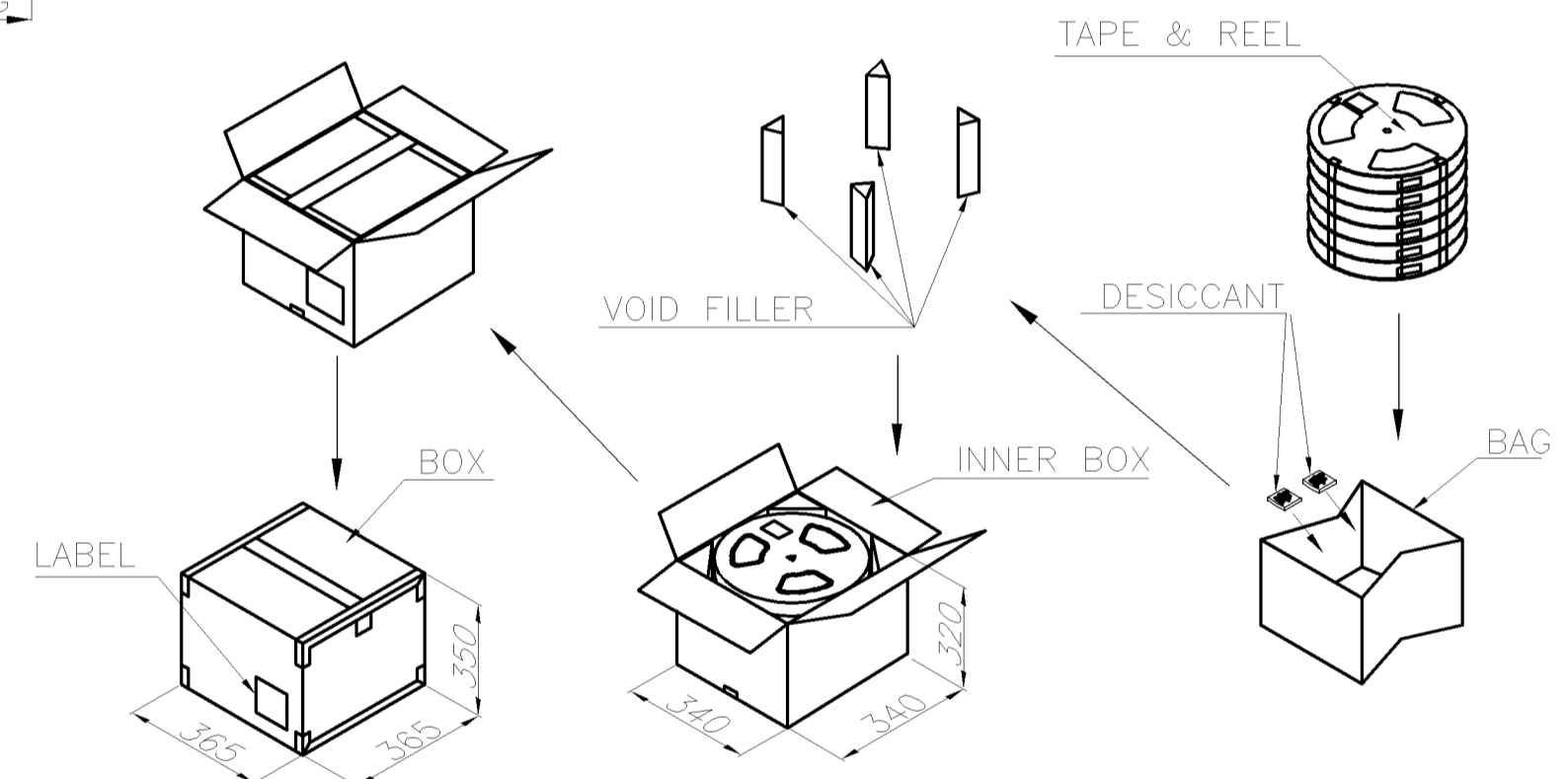
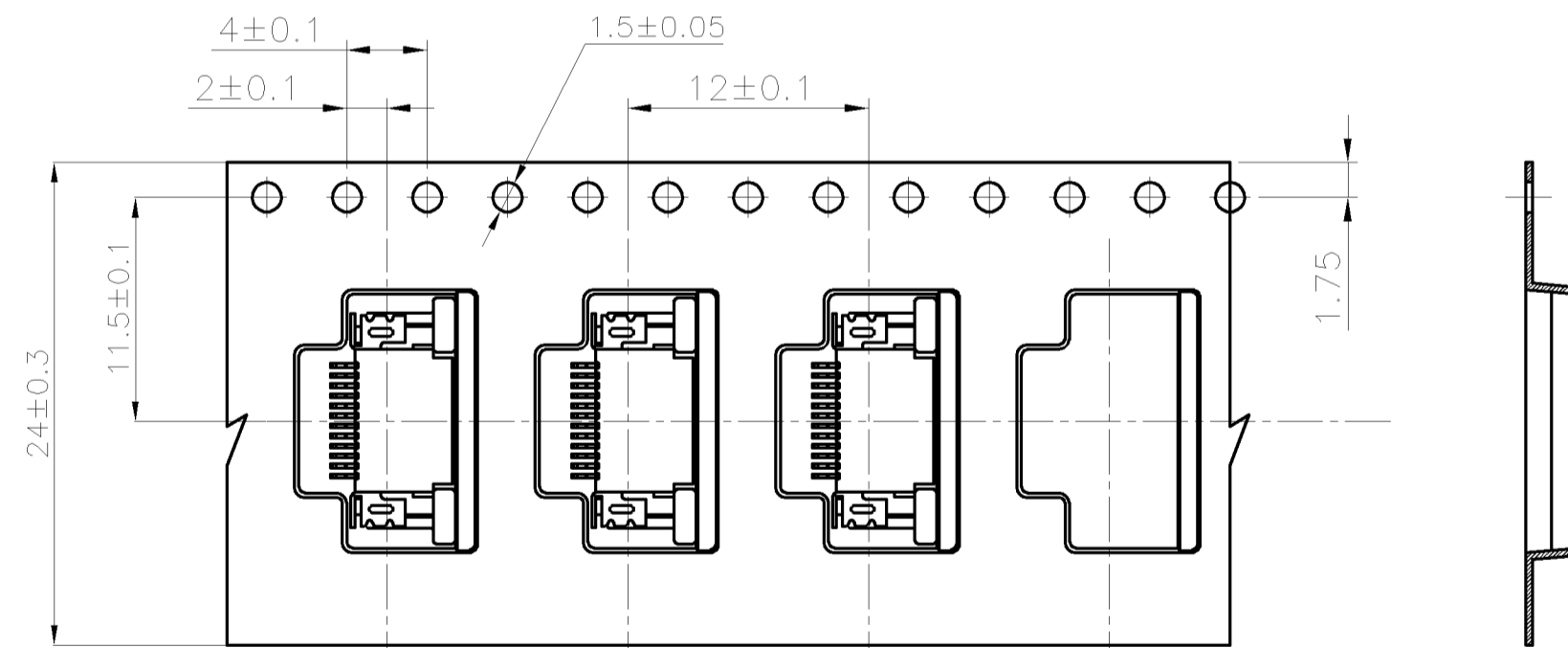
LOC	DIST	REVISIONS					
DW	—	P	LTR	DESCRIPTION	DATE	DWN	APVD
				SEE SHEET 1			



NOTES:

- MATERIAL:
 BOX: FIBREBOARD, CORRUGATED, DOUBLE WALL.
 COVER TAPE: PET, TRANSPARENT COLOR.
 CARRIER TAPE: POLYSTYRENES, TRANSPARENT COLOR.
 REEL: HIPS, BLUE COLOR.
 BAG: POLYETHYLENES, TRANSPARENT COLOR.
- EACH BAG SHALL BE INCLUDED DESICCANT.
- PEELING STRENGTH: 0.1 ~ 1.3 N (10 ~ 130 GRAMS).
- PEELING SPEED: 300 mm/min.

USER DIRECTION OF UNREELING →



20000	2000	10	8.4	4.2	12
QUANTITY	PCS/TAPE	REELS/BOX	G/W (Kg)	N/W (Kg)	NO. OF CONTACTS

THIS DRAWING IS A CONTROLLED DOCUMENT.		DWN	A. WU	03NOV2010	Tyco Electronics Corporation Taipei, Taiwan			
DIMENSIONS: MM		CHK	S. CHIEN	03NOV2010				
TOLERANCES UNLESS OTHERWISE SPECIFIED:		APVD	W. KODAMA	03NOV2010				
0 PLC ± - 1 PLC ± - 2 PLC ± - 3 PLC ± - 4 PLC ± - ANGLES ± -		PRODUCT SPEC		NAME			FPC CONNECTOR, 0.5 MM PITCH, ZIF, BOTTOM CONTACT	
MATERIAL		FINISH		APPLICATION SPEC	SIZE	CAGE CODE	DRAWING NO	RESTRICTED TO
				WEIGHT	A3	00779	G=2041324	—
CUSTOMER DRAWING				SCALE	—	SHEET	2 OF 2	REV
								B