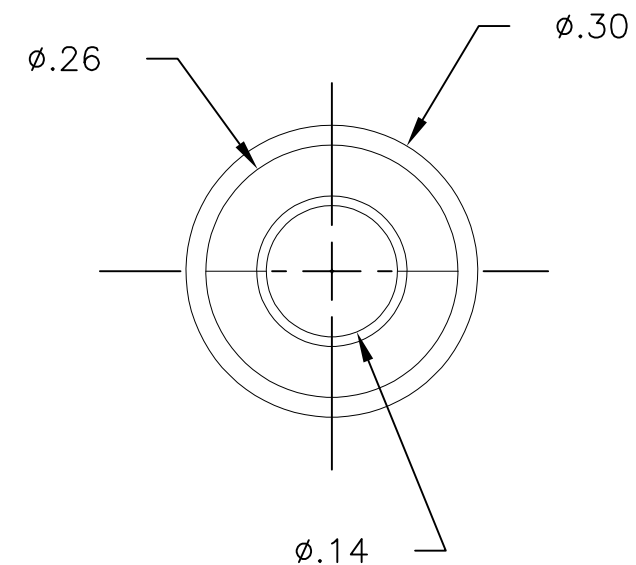
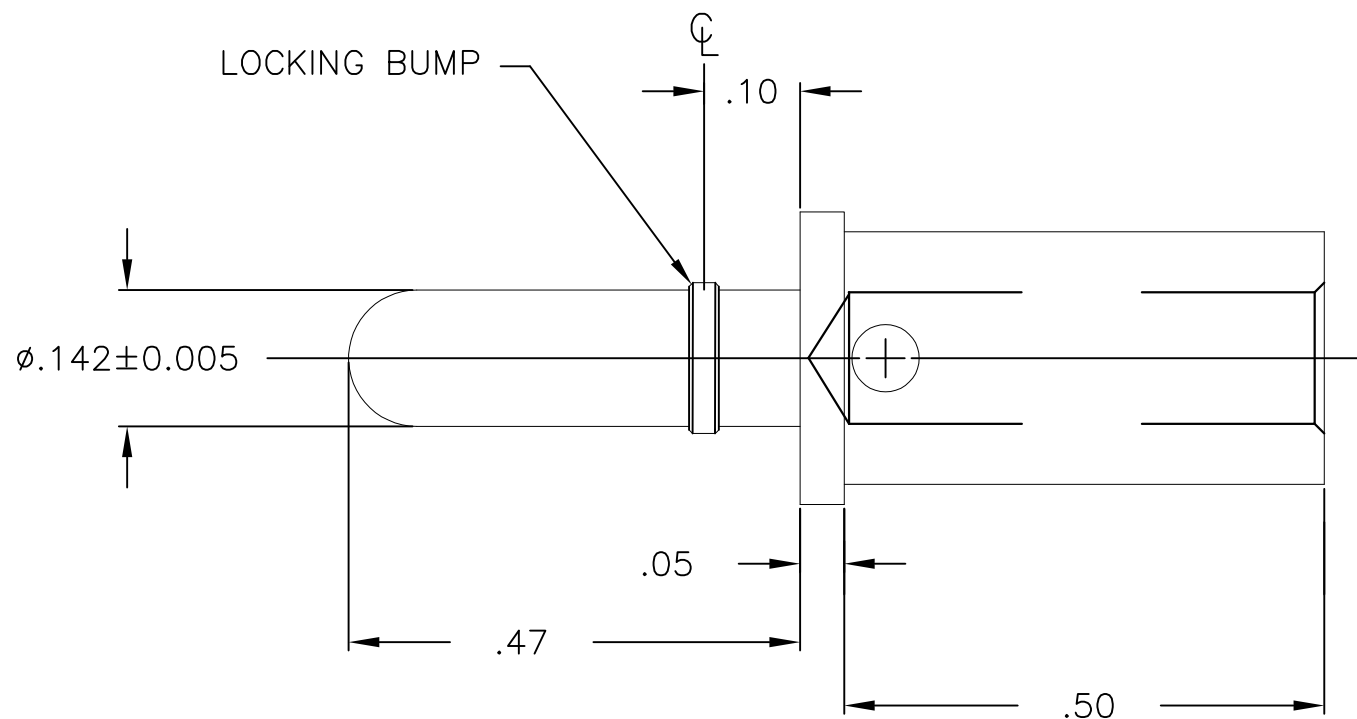


THIS DRAWING IS UNPUBLISHED. RELEASED FOR PUBLICATION
 © COPYRIGHT - By - ALL RIGHTS RESERVED.

| | | | | | | | |
|-----|------|-----------|-----|-----------------------|-----------|-----|------|
| LOC | DIST | REVISIONS | | | | | |
| GP | 00 | P | LTR | DESCRIPTION | DATE | DWN | APVD |
| | | | C | REV PER ECO-11-007264 | 14APR2011 | RG | DO |



- 5. TOOLING REQUIRED FOR CRIMP CONTACTS SIZE #8 & #10:
 CRIMP TOOL PART No. M22520/23-01
 CRIMP DIE ASSEMBLY PART No. M22520/23-02
 LOCATOR PART No. M22520/23-09

4. FINISH: SILVER PLATE .00200 MIN THK. OVER
 NICKEL .000040 MIN THK.

3. MATERIAL: COPPER ALLOY

2. ITEMS PROVIDED TO THIS SPECIFICATION TO BE IDENTIFIED
 ON THE CONTAINER WITH THE FOLLOWING INFORMATION:
 PART NUMBER AND DATE CODE OF MANUFACTURE.

1. PART NUMBER CHANGES AND/OR DESIGN CHANGES AFFECTING
 ITEM INTERCHANGEABILITY REQUIRE PRIOR ELCON APPROVAL
 AND AUTHORIZATION BY REVISION TO THIS DRAWING.

1766161-1
 PART NUMBER

| | | | | | | | |
|--|--|--|-----------|----------------------------|-----------|------------|---------------|
| THIS DRAWING IS A CONTROLLED DOCUMENT. | | DWN | 10JAN2011 | STE TE Connectivity | | | |
| | | LOVATO/GRZYBOWSKI | 10JAN2011 | | | | |
| DIMENSIONS: INCHES | | CHK | D.ORRIS | NAME | | | |
| | | APVD | D.ORRIS | PIN CONTACT SIZE No.8 | | | |
| | | TOLERANCES UNLESS OTHERWISE SPECIFIED: | | SIZE No.10 CRIMP BARREL | | | |
| | | PRODUCT SPEC | | LOCKING ICCON | | | |
| | | APPLICATION SPEC | | SIZE | CAGE CODE | DRAWING NO | RESTRICTED TO |
| MATERIAL | | FINISH | | A3 00779 | | C-1766161 | - |
| | | | | CUSTOMER DRAWING | | SCALE 5:1 | SHEET 1 OF 1 |
| | | | | | | REV C | |