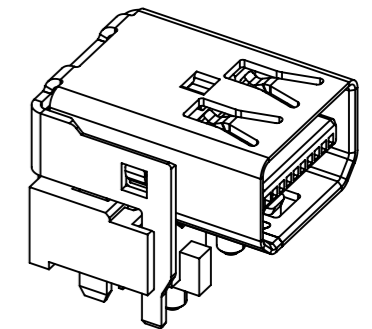
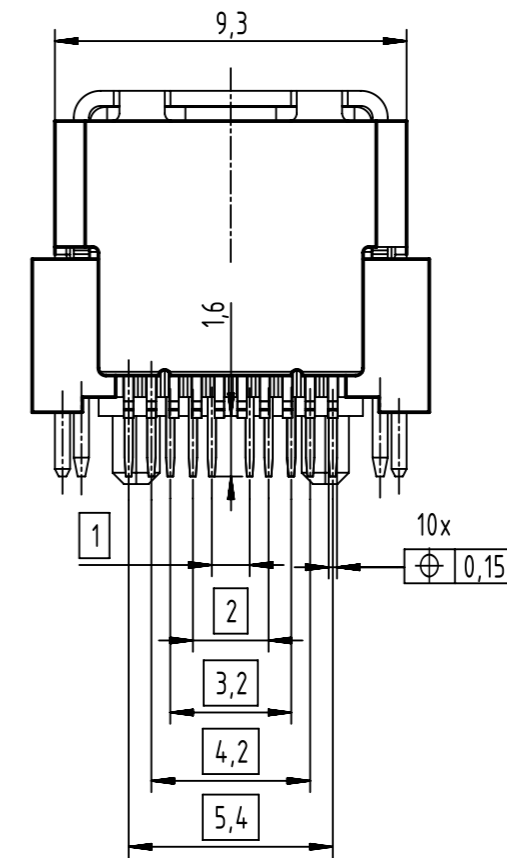
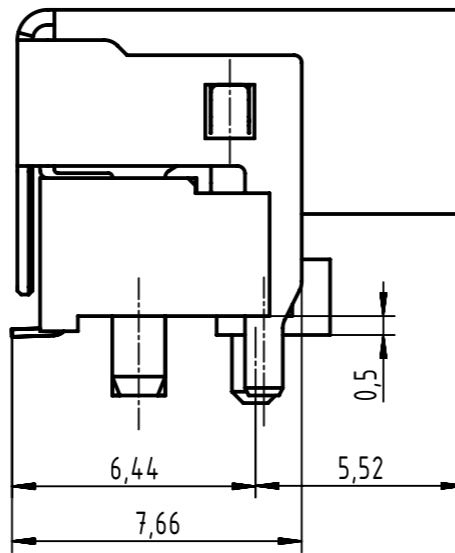
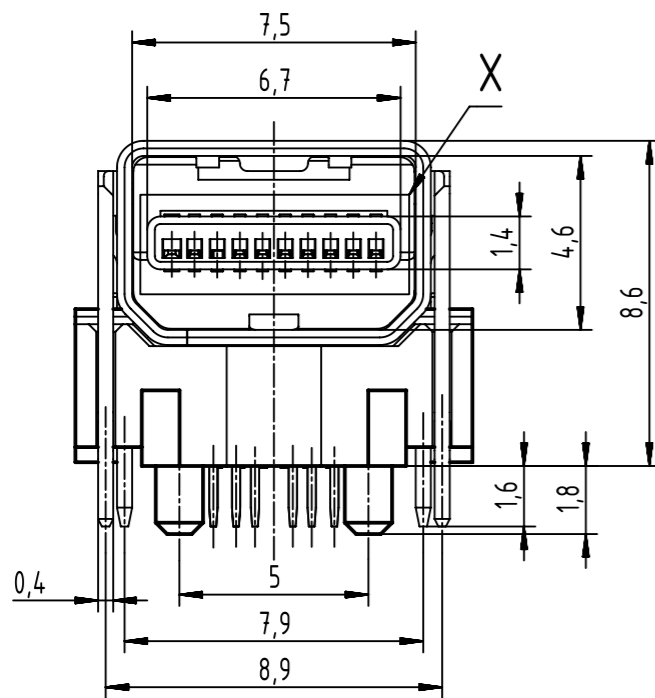
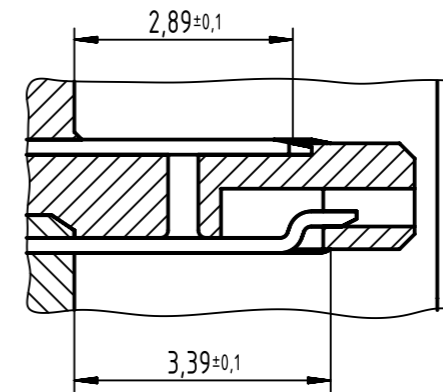
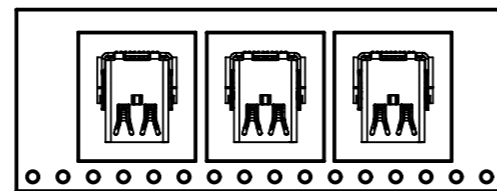


A-A (10:1)



packaging direction for solder jacks in tape & reel

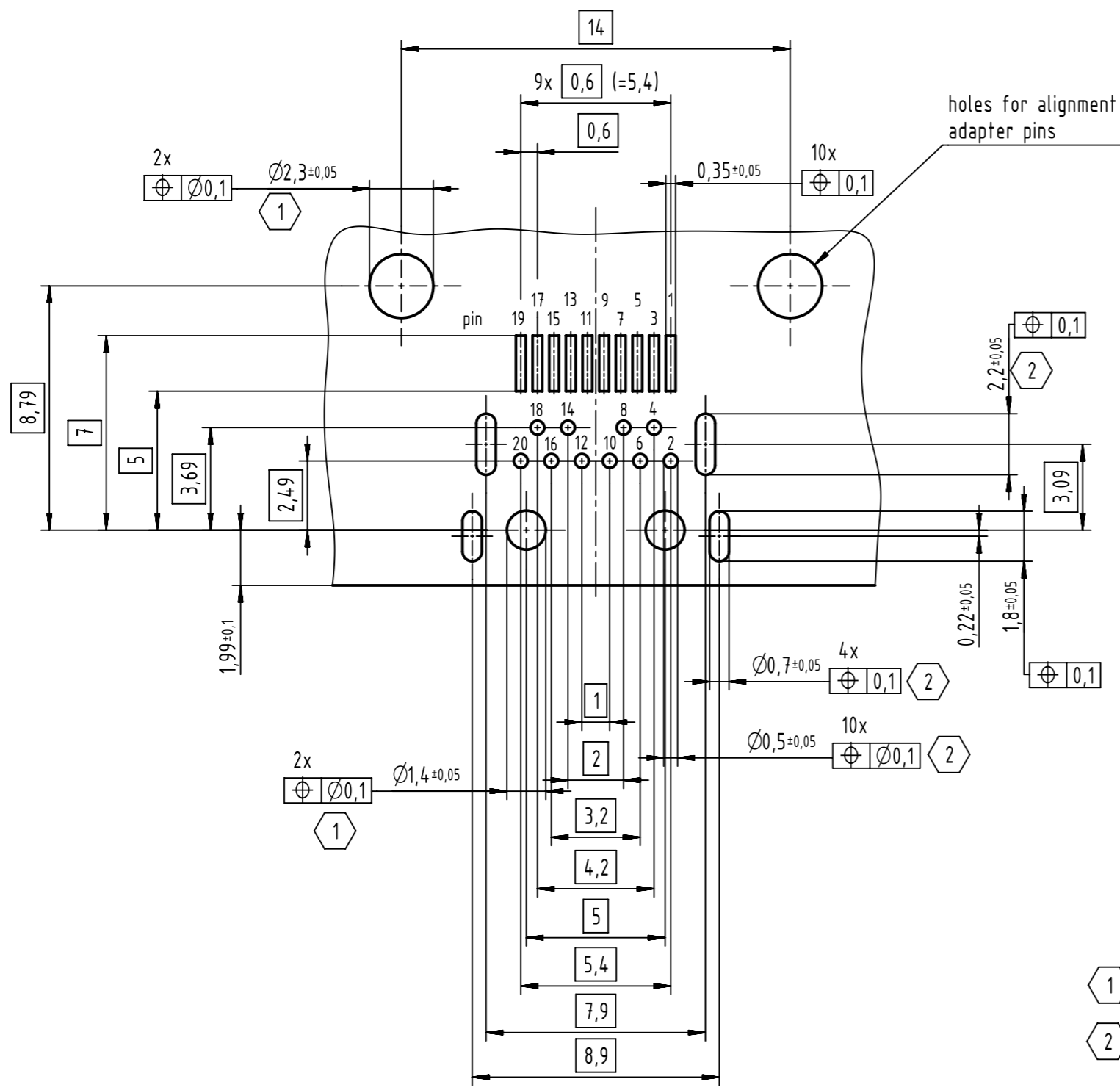


direction of movement

further information see: DS 0945000001

	All rights reserved	Created by	Inspected by	Standardisation	Date	State	Doc-Key / ECM-Nr. 100658727/UGD/000/A 500000125431
	Department EC PD - DE	HASSE	LUECKEMEIERM	HOFFMANN	2017-09-22	Final Release	
HARTING Electronics GmbH D-32339 Espelkamp		Title <b>Mini DisplayPort receptacle</b>		Type <b>TB</b>		Number <b>09455511000</b>	
						Ref. Sub.	Rev. <b>A</b>
						Page <b>1/2</b>	

# PCB layout



Pin Number	Pin Name - Source Side	Pin Name - Sink Side
1	GND	GND
2	Hot Plug Detect	Hot Plug Detect
3	ML_Lange0(p)	ML_Lange3(n)
4	CONFIG 1	CONFIG 1
5	ML_Lange0(n)	ML_Lange3(p)
6	CONFIG 2	CONFIG 2
7	GND	GND
8	GND	GND
9	ML_Lange1(p)	ML_Lange2(n)
10	ML_Lange3(p)	ML_Lange0(n)
11	ML_Lange1(n)	ML_Lange2(p)
12	ML_Lange3(n)	ML_Lange0(p)
13	GND	GND
14	GND	GND
15	ML_Lange2(p)	ML_Lange1(n)
16	AUX_CH(p)	AUX_CH(p)
17	ML_Lange2(n)	ML_Lange1(p)
18	AUX_CH(n)	AUX_CH(n)
19	GND	GND
20	DP_PWR(PWR OUT)	DP_PWR(PWR OUT)

1 non metallized  
 2 dimension after metallization process

	All rights reserved		Scale 5:1		Free size tol.		Ref.		
	Department EC PD - DE		Created by HASSE	Inspected by LUECKEMEIERM	Standardisation HOFFMANN	Date 2017-09-22	State Final Release		
HARTING Electronics GmbH		Title Mini DisplayPort receptacle				Doc-Key / ECM-Nr. 100658727/UGD/000/A 500000125431		Rev. A	
D-32339 Espelkamp		Type TB	Number 09455511000				Page 2/2		