

**VTC13E250TRSM**

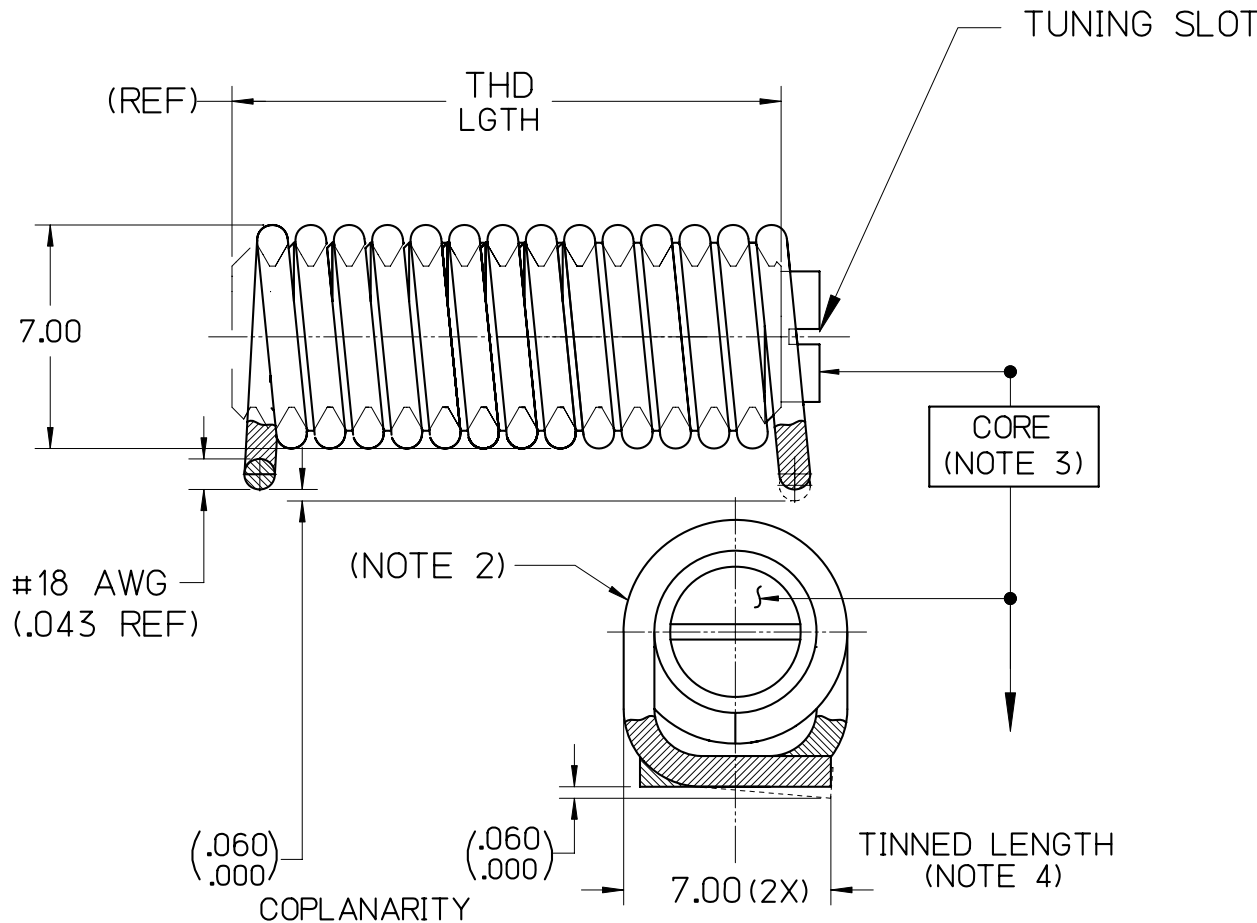
**VARIABLE INDUCTOR COIL  
(NONMAGNETIC)**

*U.S. PATENT No. 8,248,198*

FILE: AIROUT

NOTES:

1. a. DIMENSIONS: mm  
b. DIMENSIONS: (inches) FOR REFERENCE ONLY
2. COIL :  
a. MATERIAL: COPPER ALLOY (COATED)  
b. COATING ABLE TO WITHSTAND 275°C FOR 100 HOURS AS PER NEMA "CLASS 200". (REF ASTM D2307)
3. CORE :  
a. MATERIAL: PTFE / COPPER ALLOY  
b. SELF-RESONANT FREQUENCY (SRF) IS MEASURED WITH THE CORE) FULLY ENGAGED AS DEPICTED  
c. L MIN MEASURED WITH CORE ENGAGING FULL WINDINGS. L MAX MEASURED WITH CORE ENGAGING A SINGLE TURN.
4. TINNING :  
a. MATERIAL: RoHS COMPLIANT "SAC" ALLOY'



KNOWLES P/N	L (nH)				Q (@ 100 MHz)	SRF (GHz)	TURNS	THD LGTH (mm)
	MIN	NOM	MAX	NO CORE				
VTC13E250TRSM	185	219	270	294	199	430	13	18

READINGS TAKEN ON AGILENT/8358-A METER.



**Knowles Cazenovia**  
2777 Route 20 East  
Cazenovia, NY 13035

LEVEL	DATE	DRN.	CHK.	APP.	ECN
A	11/10/17	MAI	-	-	001457
REVISIONS					
DRN.	MAI	CHK.	MAI	APP.	MAI
DATE	DATE	DATE	DATE	DATE	SCALE
11/10/17	11/10/17	11/10/17	11/10/17	11/10/17	.XX ± .762 .XXX ± .254