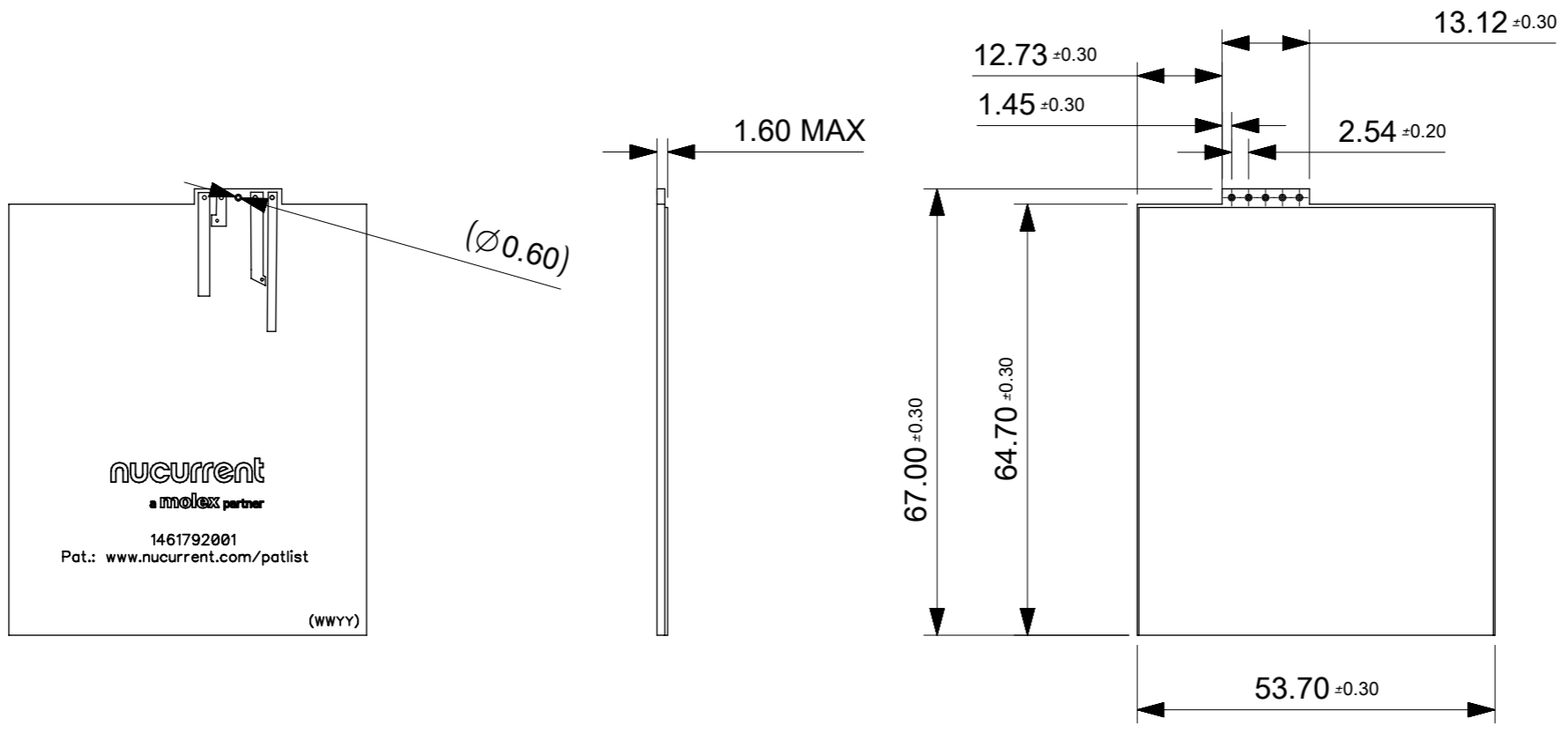


MOLEX				CUSTOMER			DRAWING LOCATION	CHANGE DESCRIPTION	AFFECTED DEPT	
DRAWING NO.	REV	ECN NO.	DATA	P/N	P/N	3D REV				2D REV
1461792001	A	104512	2016/05/20	1461792001		-	-	ALL	NEW RELEASE	AQP/ME/RF/PE/POP
1461792001	B	111410	2016/12/26	1461792001		-	-	ALL	UPDATE THICKNESS CONTROL AND TOLERANCE	AQP/ME/RF/PE/POP



THIS DRAWING CONTAINS INFORMATION THAT IS PROPRIETARY TO MOLEX ELECTRONIC TECHNOLOGIES, LLC AND SHOULD NOT BE USED WITHOUT WRITTEN PERMISSION													
QUALITY SYMBOLS 	EC NO: 111410 DRWN: TZHOU07 CHK'D: YXGAO04 APPR: CYU08	GENERAL TOLERANCES (UNLESS SPECIFIED) ANGULAR TOL ± °		DIMENSION UNITS	SCALE	 WIRELESS CHARGING COIL TRI-MODE							
		4 PLACES ±		MM	1:1								
		3 PLACES ±		DRWN BY	DATE								
		2 PLACES ±		TZHOU07 2016/07/18		CHK'D BY DATE		PRODUCT CUSTOMER DRAWING					
		1 PLACE ±		YXGAO04 2016/07/27		APPR BY DATE							
		0 PLACES ±		CYU08 2016/07/28		DRAWING SIZE THIRD ANGLE PROJECTION		SERIES	MATERIAL NUMBER	CUSTOMER			
		DRAFT WHERE APPLICABLE MUST REMAIN WITHIN DIMENSIONS		A3				146179					
								DOCUMENT NUMBER	DOC TYPE	DOC PART	SHEET NUMBER		
								1461792001	PSD	000	1 OF 1		

RELEASE STATUS	P1	RELEASE DATE	28.07.2016	01:39:26
----------------	----	--------------	------------	----------