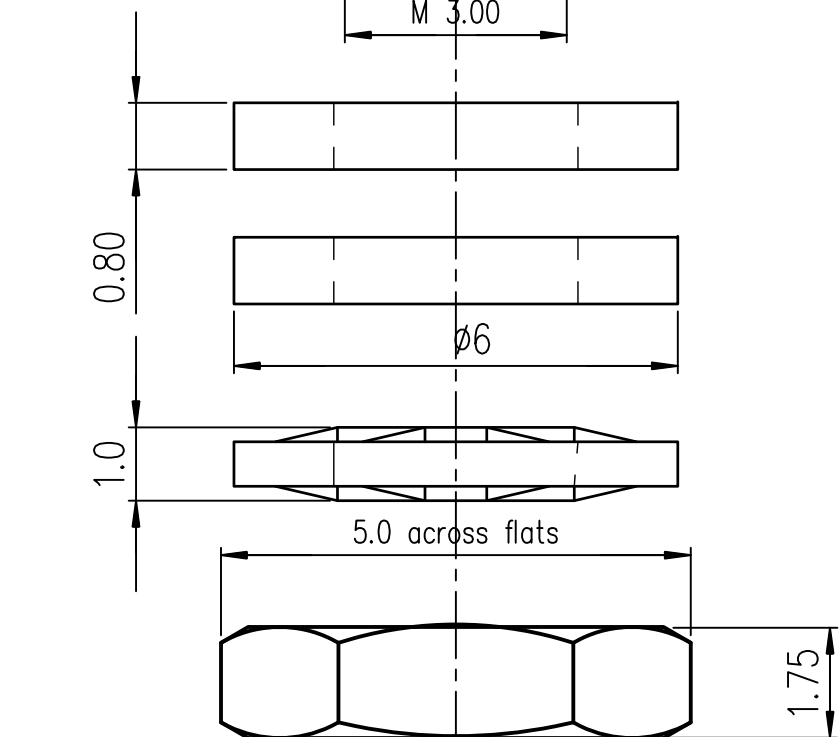
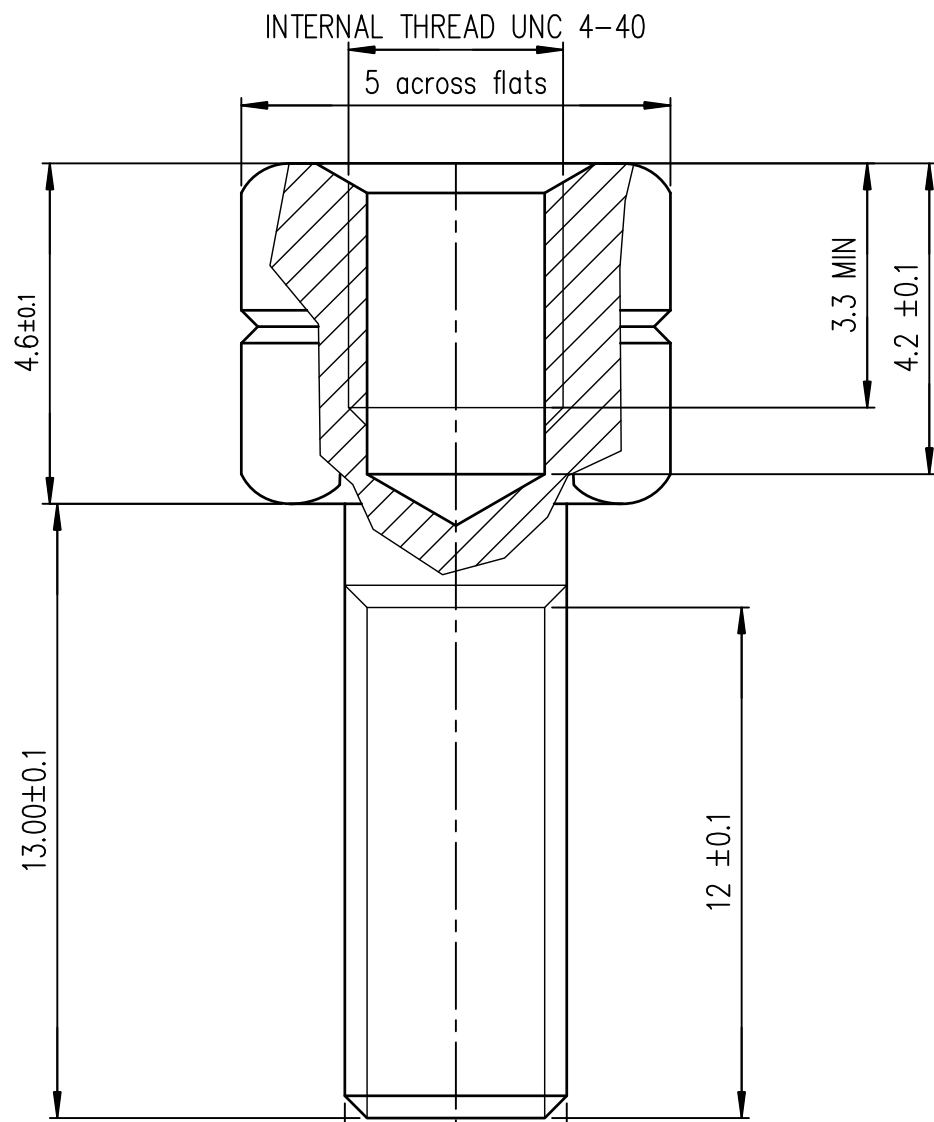




Copyright FCI.



TECHNICAL CHARACTERISTICS :

- Female screw locks: brass, tin plated .
- Compensating washer: steel , tin plated .
- Nuts : steel , tin plated .
- Locking washer: steel , tin plated .

Packaging : per 100 pieces .

- a plastic bag=
- a bag of 100 screws
- a bag of 100 nuts
- a bag of 100 locking washers
- a bag of 200 compensating washers

Part number	863001061TLF
-------------	--------------

NOTE:RoHS INFORMATIONS

- The "LF" products meet European union Directives and other country regulations as described in GS-22-008.
- Plating Sn (pure bright ) over copper

European Views

rev	ecn no	dr	date
C	LS05-0026	MPE	2005/06/20
D	LS06-0208	LGO	2006/12/12
E	LS08-0048	MPE	2008/02/0048
F	LS09-0006	PCR	2009/01/08
G	I09-0240	AMR	2009/10/28
H	I11-0022	AMR	2011/01/25
-	-	-	-

www.fciconnect.com		surface ISO 1302 ✓	tolerance std ISO 406 ISO 1101	projection mm
		TOLERANCES UNLESS OTHERWISE SPECIFIED		size A3
Dr	MASSON	2000/08/01	ANGULAR	0.X ±0.1
Eng	P LEGARE	2005/02/16	LINEAR	0.XX ±0.1
Chr	ABHILASH M R	2009/10/27	0.XX ±2*	0.XXX ±0.1
Appr	SUDHIR VARMA	2009/10/27	Product family	D-SUB
				ECN I11-0022
				Spec ref -
FCI		title FEMALE SCREW LOCKS D SUB ACCESSORIES		dwg no C01-8655-1541
		catalog no		Rev. H
				CUSTOMER sheet 1 of 1