

IEC Appliance Outlet D Special, Screw-on Mounting, Front Side, Solder Terminal



Description

- Panel Mount :
Screw-on mounting , Front Side
- Connector , Pin temperature 70 °C , Protection class II
- For direct power interconnection with appliance inlet type C8 (Docking system)
- For coupling with cable connector type C, the appliance outlet type 5084 has to be used
- Solder terminal

References

Last order date: 30.06.2017
Last delivery date: 30.09.2017

Weblinks

[pdf datasheet](#), [html-datasheet](#), [General Product Information](#), [RoHS](#), [CHINA-RoHS](#), [REACH](#), [Distributor-Stock-Check](#), [Accessories](#), [Detailed request for product](#)

Approvals

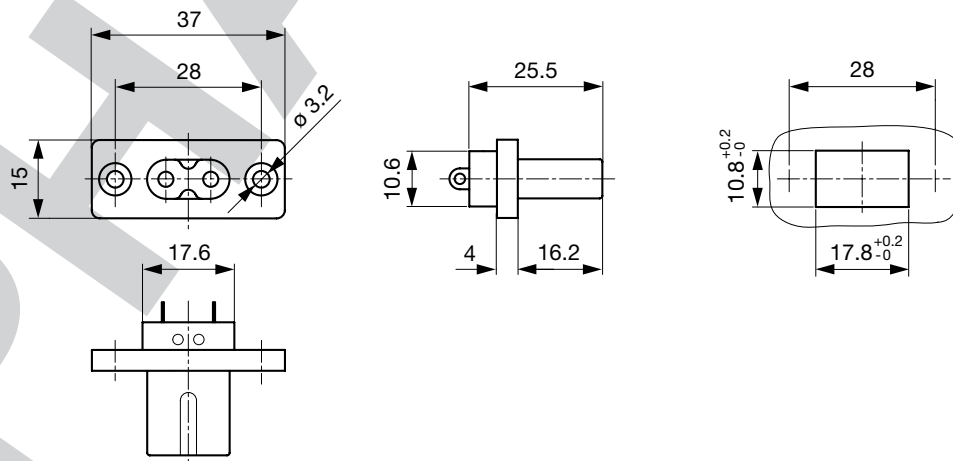
- UL File Number: E45115
- CSA File Number: 27324

Technical Data

| | |
|---------------------------------|--|
| Ratings IEC | 2.5 A / 250 VAC; 50 Hz |
| Ratings UL/CSA | 2.5 A / 250 VAC; 60 Hz |
| Dielectric Strength | > 4 kVAC between L-N > 2 kVAC between L/N-PE (1 min/50 Hz) |
| Allowable Operation Temperature | -25 °C to 70 °C |
| IP-Protection | from front side IP 20 acc. to IEC 60529 |
| Insulation cover | Suitable for appliances with protection class II acc. to IEC 61140 |
| Material: Housing | PA6, black, UL 94V-0 |

Detailed information on product approvals, code requirements, usage instructions and detailed test conditions can be looked up in [General Product Information](#)

Dimensions



Length of the terminal please find at the order code configuration table

Config. Code

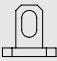
5082 - H - A B C 0 - D - E O

The characters are placeholders for the correspondingly keys of selections from the key tables.

5082 - **H** - A B C 0 - D - E O = Type

| Type | Configuration key |
|---------------------|-------------------|
| protection class II | X |

5082 - H - **A** B C 0 - D - E O = Terminals

| Terminal L | Configuration key |
|---|-------------------|
| solder terminal  | 1 |

5082 - H - A **B** C 0 - D - E O = Terminals

| Terminal N | Configuration key |
|-----------------|-------------------|
| solder terminal | 1 |

Symbols similar as in table A

5082 - H - A B **C** 0 - D - E O = Terminals

| Terminal Ground | Configuration key |
|------------------|-------------------|
| without terminal | 0 |

Symbols similar as in table A

5082 - H - A B C 0 - **D** - E O = Color

| Color | Configuration key |
|-------|-------------------|
| Black | A |

5082 - H - A B C 0 - D - **E** O = Style

| Style | Configuration key |
|-------------------------------|-------------------|
| flange with countersunk holes | 1 |

5082 - H - A B C 0 - D - E **O** = Features

| Features | Configuration key |
|----------|-------------------|
| | |

All Variants

| Terminals L / N | Color | Style | Config. Code | Order Number |
|-----------------|-------|-------------------------------|-----------------|---|
| solder terminal | Black | flange with countersunk holes | 5082-X-1100-A-1 | 6180.0002  |

The listed variants should be available from stock. Other versions on request www.schurter.com/contact

 Most Popular.

Availability for all products can be searched real-time: <http://www.schurter.com/en/Stock-Check/Stock-Check-SCHURTER>

Packaging unit 50 Pcs

Mating Inlets/Plugs

Category / Description

[Appliance Inlet Overview complete](#)



| | |
|--|---------|
| IEC Appliance Inlet C8, Screw-on Mounting, Rear Side, Solder Terminal | 0720-FS |
| IEC Appliance Inlet C8, Snap-in Mounting, Front Side, Solder Terminal | 0721-PS |
| IEC Appliance Inlet C8, Screw-on Mounting, rear side, PCB terminals | 0720-FP |
| IEC Appliance Inlet C8, Snap-in Mounting, Front Side, PCB terminals | 0721-PP |
| IEC Appliance Inlet C8, insert Mounting, Solder, PCB or Quick-connect Terminal | 2572 |
| Appliance Inlet further types to 5082 | ... |



[IEC Inlet Filter Overview complete](#)

5008, 2.5 A, Standard and Medical Version Filter, Mounting Snap-in/screw-on, solder pin or quick connect terminals
6.3 x 0.8 or 4.8 x 0.8 mm, Power Entry Modules with Filter

5008

[IEC Inlet Filter further types to 5082](#)



[Power Entry Module Overview complete](#)

IEC Appliance Inlet C8 with Line Switch 1-pole

CMF1, CMF4

[Power Entry Module further types to 5082](#)

PHASE-0