

CXA-46012PJ107

Features

- 4 outputs
 - Usable in a wide range of temperatures
 - Applicable panel size*: 15 to 17 inches
 - With brightness control function (Pulse Width Modulation Dimming).
 - With shut down function.
 - With a sensing function for running out of lamp (alarm output).
 - In the high-voltage generator (a terminal and a pattern), an anti-dust measure by silicone application is taken.
- (Notice) Applicable panel size becomes a standard.

Applications



DC-AC Inverter

CXA-46012PJ107 Specifications (Please refer to each specification before use)

Electrical Characteristics

Item	Unit	Symbol	Specification			Condition						Remarks
			min	typ	max	Vin(V)	Vrmt(V)	Vbr(V)	Ta(°C)	RL1 to 4(kΩ)	CL1 to 4(pF)(*3)	
Output Current	mA	lout1,2,3,4 (Maximum dimmer)	5.4	6.0	6.6	12±1.2	5	2.5	-30 to +80	100	5	(*1)
		lout1,2,3,4 (Minimum dimmer)	2.4	3.0	3.6	12±1.2	5	0	-30 to +80	100	5	(*1)
Input Current	A	Iin	-	1.35	1.8	12	5	2.5	-30 to +80	100	5	
Oscillatory Frequency	kHz	Freq1	38	45	52	12±1.2	5	2.5	-30 to +80	100	5	
		Freq2 (Duty frequency)	170	220	270	12±1.2	5	2.5	-30 to +80	100	5	
Open Circuit Voltage	Vrms	Vopen	1700	-	-	12±1.2	5	2.5	-30 to +80	∞	5	Open load
Alarm Signal	V	Vst	-	-	1.0	12±1.2	5	2.5	23±5	100	5	On a normal operation (*2)
			2.7	3.0	3.3	12±1.2	5	2.5	23±5	∞	5	In case of lamp anomaly (*2)

(*1) Please refer to the connection diagram for details of a dimming method.

(*2) Please refer to the connection diagram for details of alarm output.

(*3) As equivalent circuit of panel load, connect resistance load (RL) and distributed capacity (CL), and have provided by an electrical characteristic.

Other Specifications

Dimming Function		Yes
Operating Temperature	°C	-30 to +80
Storage Temperature	°C	-40 to +85
Operating Humidity Ratio	RH%	95max.
Safety Standard		-
Weight	g	42typ.
Dimensions (WxDxH)	mm	180x37x8.5 (*4)
Fused Input		Yes
Remote ON / OFF		Yes
Alarm Signal Function		Yes
Shutdown Function		Yes
Silicone Coating on High Voltage Area		Yes

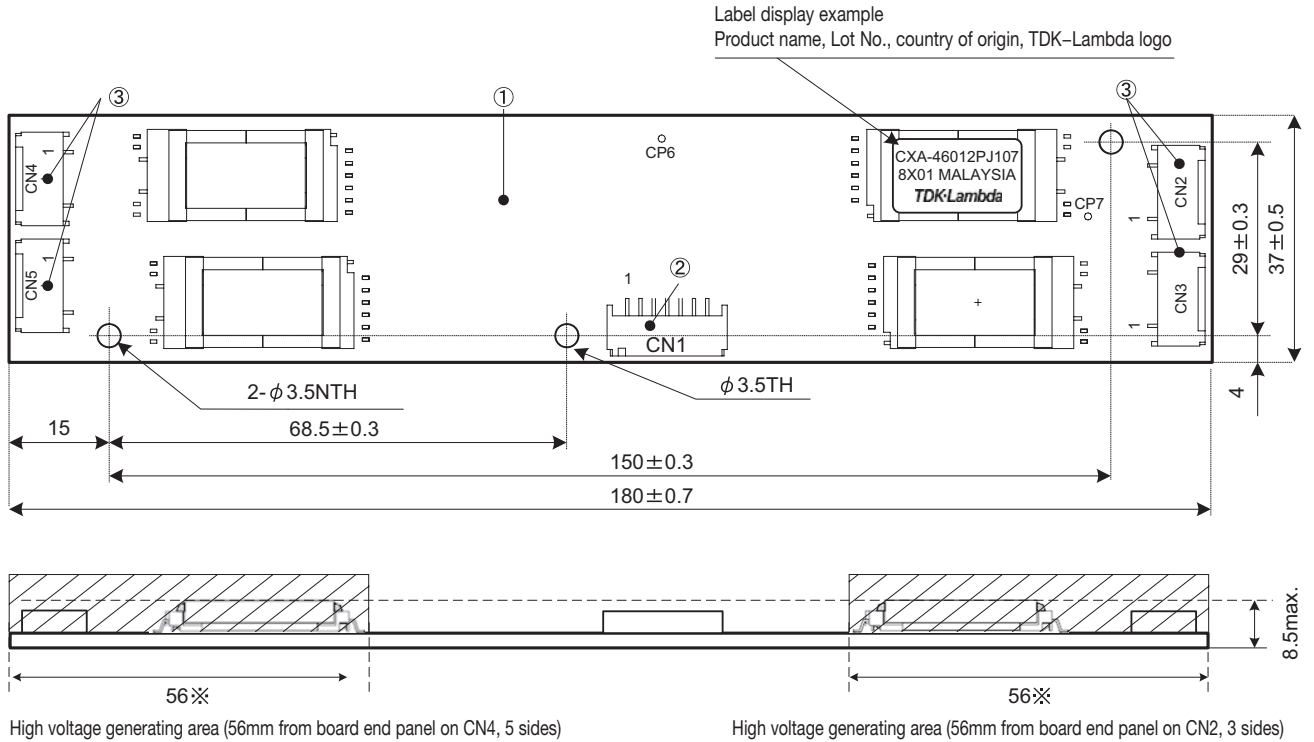
(*4) These dimensions are indicated the maximum only H. Others are typical values.

Conformity to RoHs Directive

This means that, in conformity with EU Directive 2002/95/EC, lead, cadmium, mercury, hexavalent chromium, and specific bromine-based flame retardants, PBB and PBDE, have not been used, except for exempted applications.

Connector Type/Multi-output

Outline Drawing



DC-AC Inverter

High voltage generating area (56mm from board end panel on CN4, 5 sides)

High voltage generating area (56mm from board end panel on CN2, 3 sides)

*From high-voltage generator, please secure space distance more than 3mm in top and bottom right and left.

Unit: mm

Connector

No.	Component name	Type name	Qty	Remarks	Recommended suitable connector
①	Printed circuit board PCB	CEM-3	1	UL94V-0 t=1.0	-
②	Input connector CN1	S7B-PH-SM4-TB(LF)(SN)	1	J.S.T Mfg., Co., Ltd	PHR-7
③	Output connector CN2,CN3,CN4,CN5	SM02(8.0)-BHS-1-TB(LF)(SN)	4	J.S.T Mfg., Co., Ltd	BHR-03VS-1

Terminal Number & Function

Input side CN1

Terminal No.	Symbol	Rating	Remarks
CN1-1	Vin	12±1.2	Power source input
CN1-2			
CN1-3	GND	0V	Ground
CN1-4			
CN1-5	Vrmt	0V/2.0V to Vin	Remote terminal 0 to 0.8V : OFF 2.0 to Vin : ON
CN1-6	Vbr	0 to 2.5V	Dimmer terminal 2.5V: Maximum brightness
CN1-7	Vst (output)	0V/3V	Alarm output Lump open: 3V

Output side CN2

Terminal No.	Symbol	Remarks
CN2-1	V _{HIGH1}	Output 1
CN2-2	N.C.	-
CN2-3	V _{LOW1}	Output 1 return

Output side CN3

Terminal No.	Symbol	Remarks
CN3-1	V _{HIGH2}	Output 2
CN3-2	N.C.	-
CN3-3	V _{LOW2}	Output 2 return

Output side CN4

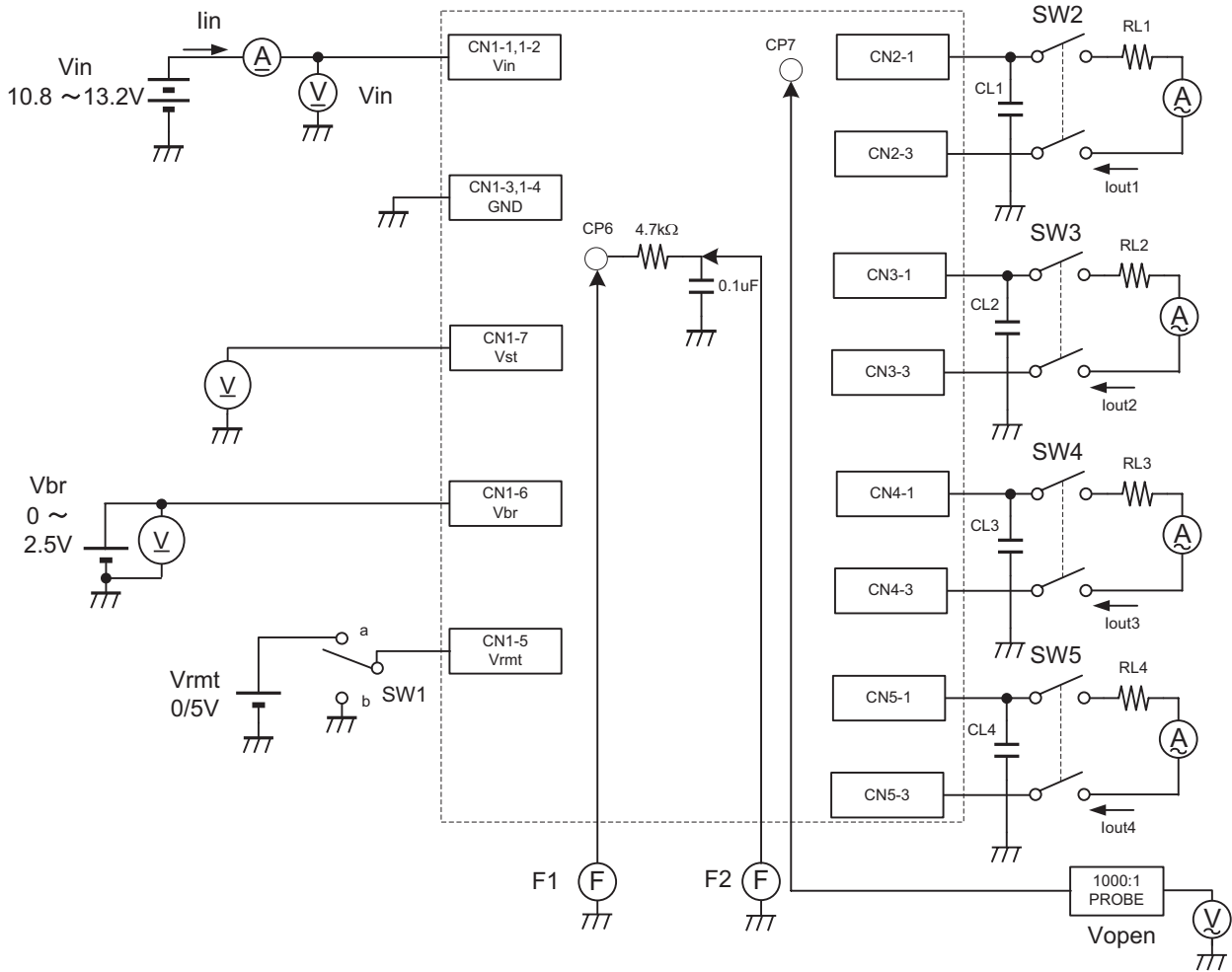
Terminal No.	Symbol	Remarks
CN4-1	V _{HIGH3}	Output 3
CN4-2	N.C.	-
CN4-3	V _{LOW3}	Output 3 return

Output side CN5

Terminal No.	Symbol	Remarks
CN5-1	V _{HIGH4}	Output 4
CN5-2	N.C.	-
CN5-3	V _{LOW4}	Output 4 return

Connector Type/Multi-output

Connections



RL1, 2, 3, 4: Load resistance 100k Ω (20W min.)
 CL1, 2, 3, 4: Distribution capacity condenser 6KV 5pF

Operate as follows by switching a SW1.

SW1	Unit operates
a	Operates
b	Does not operate
Open	Does not operate

Operates as follows depending on SW2-4 changes.

SW2	SW3	SW4	SW5	Unit operates	Outputs alarm	
Short	Short	Short	Short	Operates	LOW(0V)	
			Open	Shuts down	HIGH(3V)	
		Open	Short	Shuts down	HIGH(3V)	
			Open	Shuts down	HIGH(3V)	
	Open	Open	Short	Short	Shuts down	HIGH(3V)
				Open	Shuts down	HIGH(3V)
Open			Short	Shuts down	HIGH(3V)	
			Open	Shuts down	HIGH(3V)	
Open		Short	Open	Short	Shuts down	HIGH(3V)
				Open	Shuts down	HIGH(3V)
	Open	Open	Short	Shuts down	HIGH(3V)	
			Open	Shuts down	HIGH(3V)	