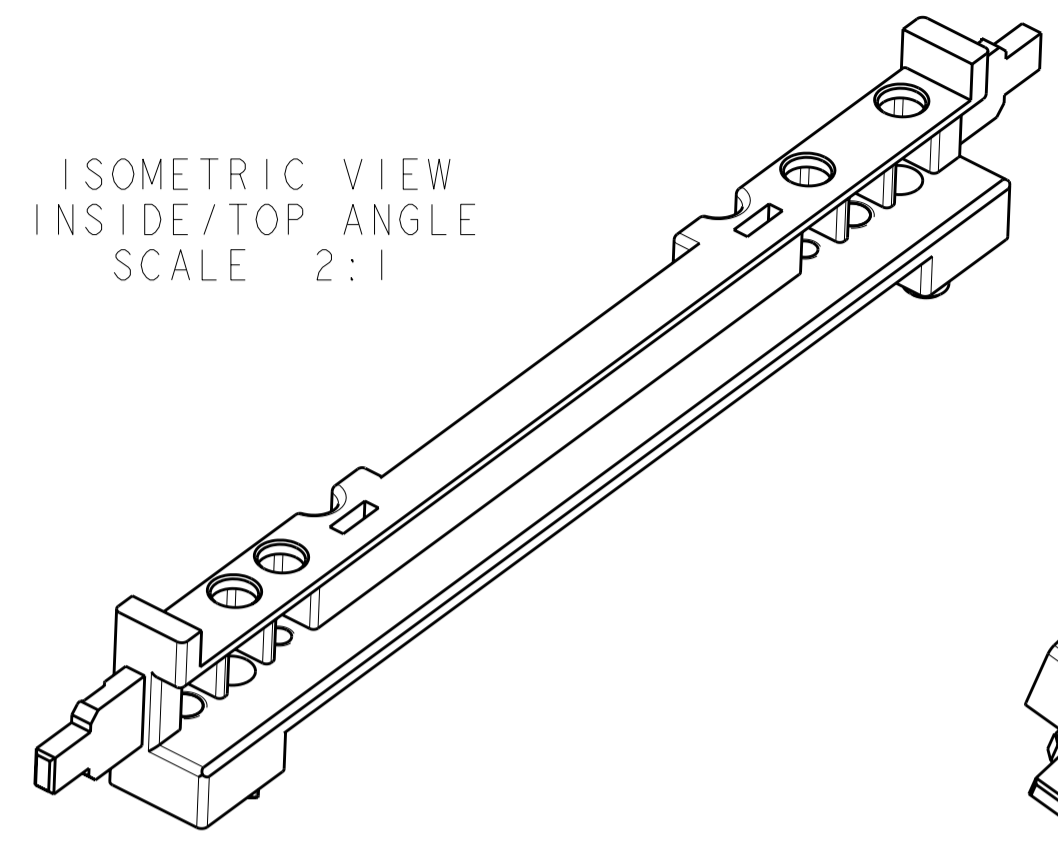


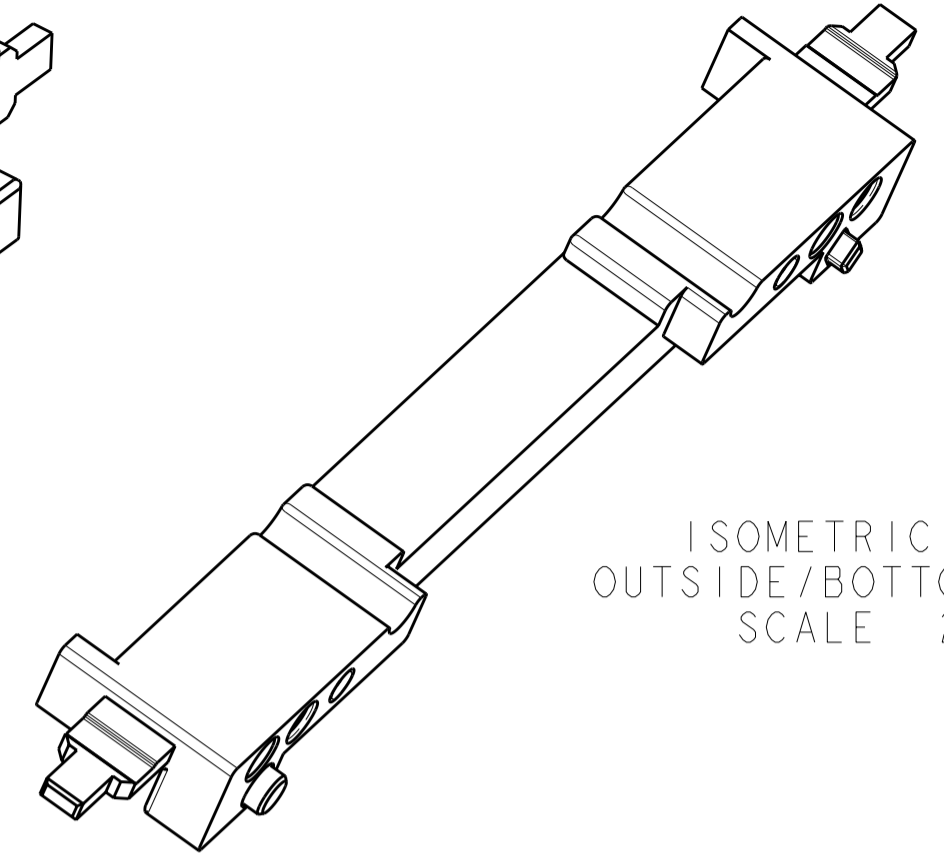
THIS DRAWING IS UNPUBLISHED. RELEASED FOR PUBLICATION 2008
 © COPYRIGHT 2008 BY - ALL RIGHTS RESERVED.

LOC	DIST	REVISIONS			
P	LTR	DESCRIPTION	DATE	DWN	APVD
GP	00	A	RELEASED PER ECO-12-006362	15MAY2012	CJV MRS

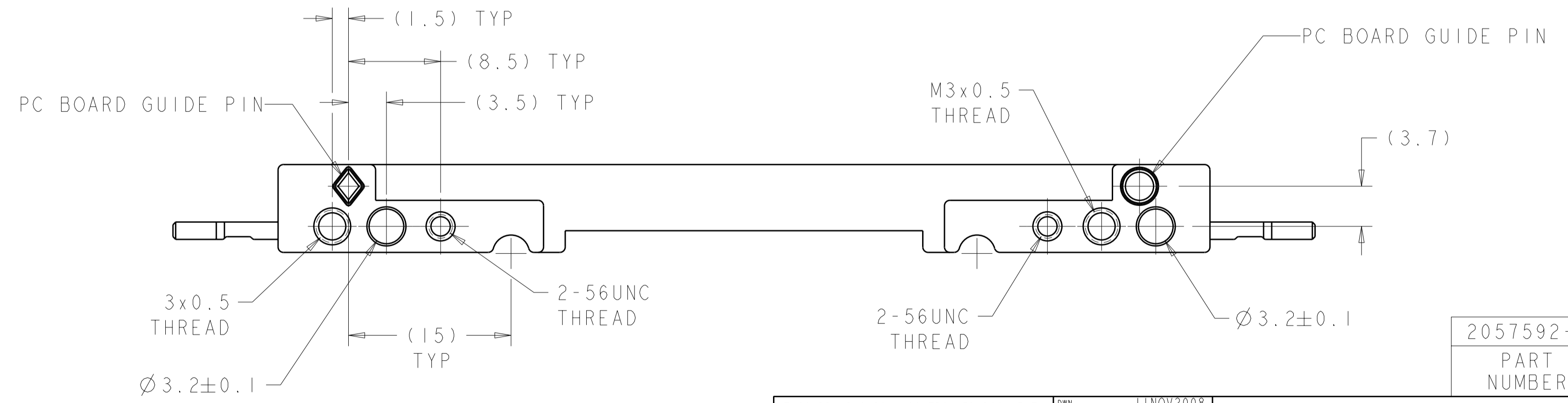
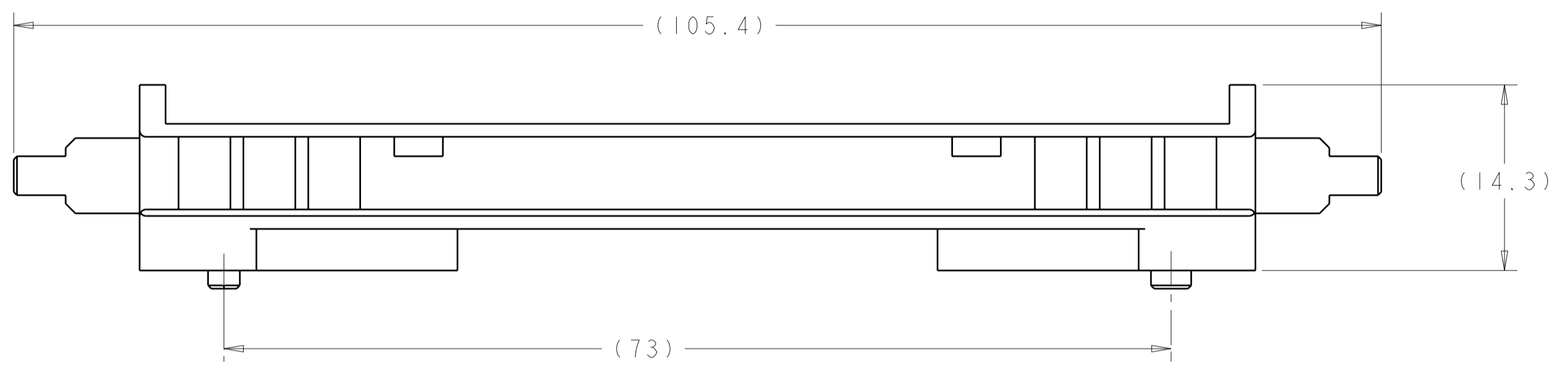
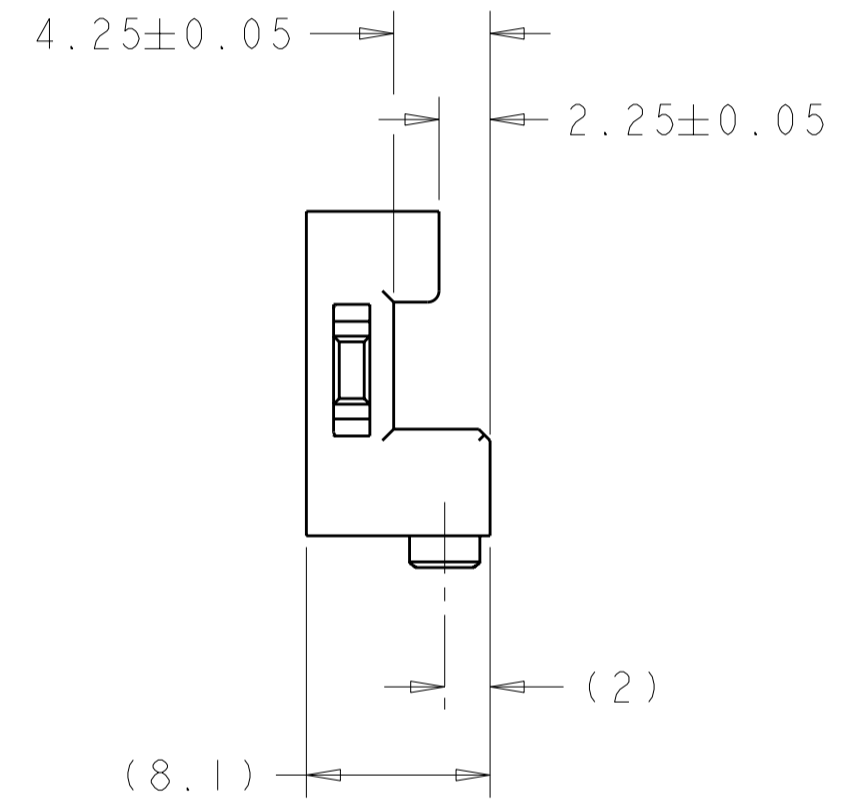
ISOMETRIC VIEW
 INSIDE/TOP ANGLE
 SCALE 2:1



ISOMETRIC VIEW
 OUTSIDE/BOTTOM ANGLE
 SCALE 2:1



- ① MATERIAL: ZINC ALLOY PER ASTM B 86, AG40A.
- ② FINISH: 1.27µm MIN NICKEL PLATE PER QQ-N-290
 OVER 5.08µm MIN COPPER PLATE PER AMS 2418.



2057592-2
 PART NUMBER

THIS DRAWING IS A CONTROLLED DOCUMENT. DIMENSIONING AND TOLERANCING PER ASME Y14.5M-2009		DWN: C. VALENTINE 11NOV2008	TE Connectivity	
DIMENSIONS: mm		CHK: E. BRIGHT 11NOV2008		
TOLERANCES UNLESS OTHERWISE SPECIFIED:		APVD: E. BRIGHT 11NOV2008	NAME: GUIDE RAIL, 100 GIG PLUGGABLE	
0 PLC ±	1 PLC ±	PRODUCT SPEC: 108-2399	SIZE: A200779	
2 PLC ±	3 PLC ±	APPLICATION SPEC: 114-13263	CAGE CODE: C-2057592	
4 PLC ±	ANGLES ±	WEIGHT: -	DRAWING NO: -	
FINISH ②		CUSTOMER DRAWING	RESTRICTED TO: -	
SCALE: 3:1			SHEET 1 OF 1 REV A	