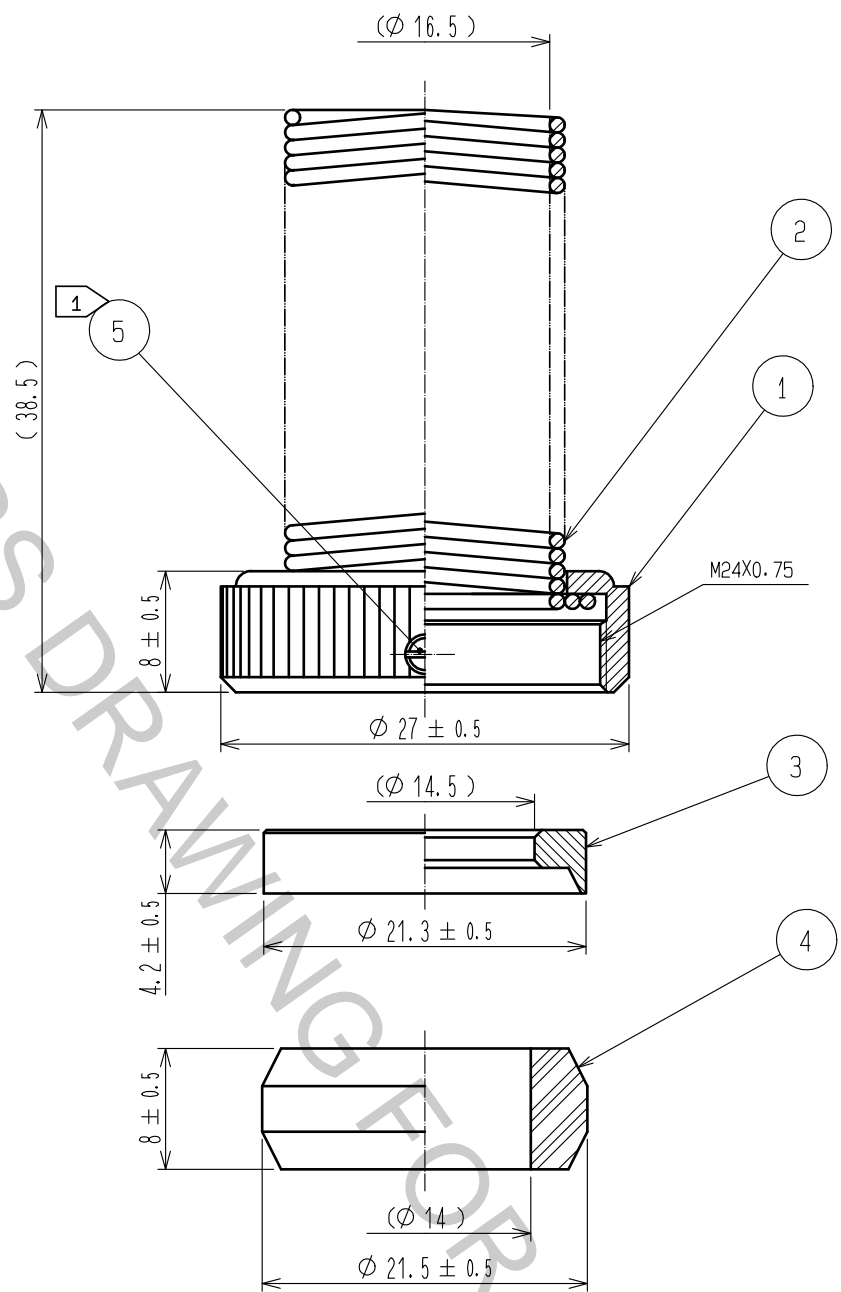


Aug.1.2018 Copyright 2018 HIROSE ELECTRIC CO., LTD. All Rights Reserved.
 In case that the application demands a high level of reliability, such as automotive,
 please contact a company representative for further information.



- NOTES
- ① THE RECOMMENDED CLAMP TORQUE, REF. NO. ①: 0.15 TO 0.2N·m.
 LOCTITE 263, HENKEL JAPAN OR EQUIVALENT IS RECOMMENDED TO PREVENT REF. NO. ①
 FROM LOOSENING.
 - ② APPLICABLE CABLE: $\phi 14 \pm 0.3$
 - ③ ASSEMBLE WITH APPLICABLE CONNECTOR (RM24WTP-**(85)).
 ** SHOWS NUMBER OF CONTACT, AND MALE OR FEMALE OF CONNECTOR.
 - ④ THE CABLE PULL AND TWISTING STRENGTH AND OTHER CHARACTERISTICS MAY DIFFER,
 DEPENDING ON THE CABLE STRUCTURE PLEASE CONFIRM BEFORE THE USE.

| 3 | BRASS | NICKEL PLATING | | | | | | |
|----------------------------------|-----------------|----------------|---------------|--------------------------|------------------------------|-----------|---------------|------------|
| 2 | PHOSPHOR BRONZE | NICKEL PLATING | 5 | BRASS | NICKEL PLATING | | | |
| 1 | BRASS | NICKEL PLATING | 4 | CHLOROPRENE RUBBER | (BLACK) | | | |
| NO. | MATERIAL | FINISH . | REMARKS | NO. | MATERIAL | FINISH . | REMARKS | |
| UNITS | | SCALE | COUNT | DESCRIPTION OF REVISIONS | | DESIGNED | CHECKED | DATE |
| mm | | 2 : 1 | ① 2 | DIS-C-00002214 | | HY. KISHI | HY. KOBAYASHI | 18. 04. 17 |
| HIROSE ELECTRIC CO. . LTD. | | APPROVED | HY. KOBAYASHI | 18. 02. 22 | DRAWING NO. EDC-110117-31-00 | | | |
| | | CHECKED | HY. KOBAYASHI | 18. 02. 22 | PART NO. RM24WTP-CP(14)(31) | | | |
| | | DESIGNED | HY. KISHI | 18. 02. 21 | CODE NO. CL109-1495-6-31 | | | |
| | | DRAWN | MK. INOUE | 18. 02. 07 | 1/1 | | | |