

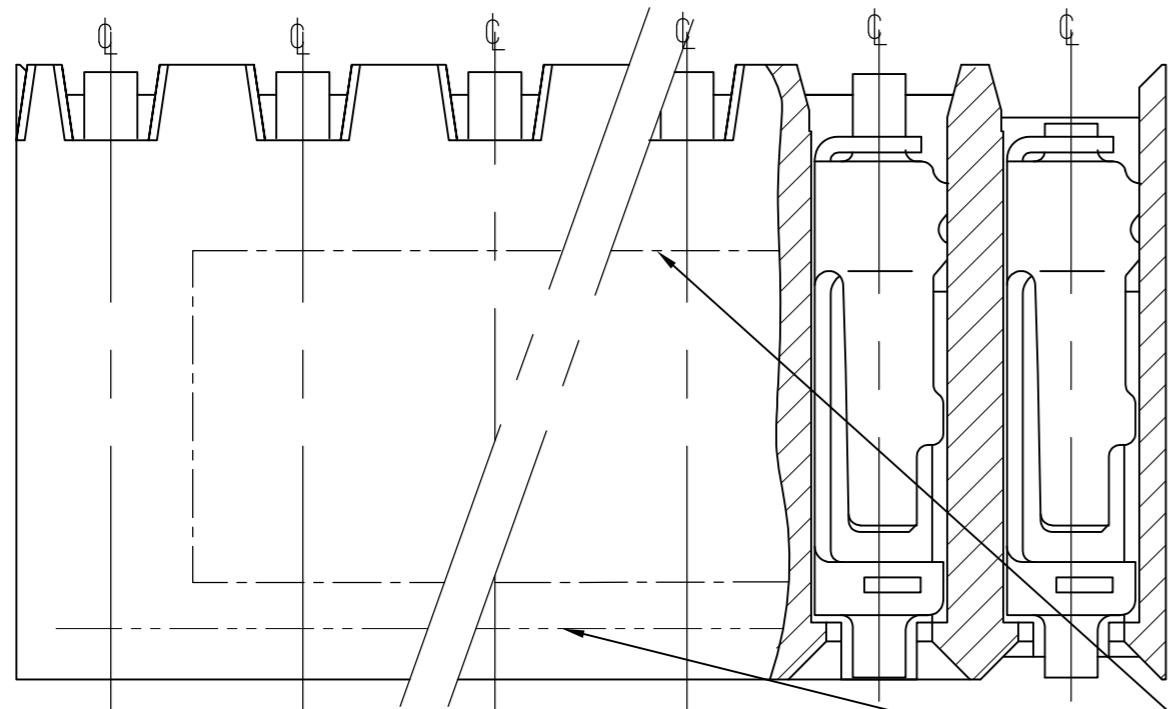
THIS DRAWING IS UNPUBLISHED. RELEASED FOR PUBLICATION  
 © COPYRIGHT - By - ALL RIGHTS RESERVED.

PART NO.	N' POS PER ROW	DIMENSIONS	
		A	B
216604-2	2	5.08	2.54
216604-3	3	7.62	5.08
216604-4	4	10.16	7.62
216604-5	5	12.7	10.16
216604-6	6	15.24	12.7
216604-7	7	17.78	15.24
216604-8	8	20.32	17.78
216604-9	9	22.86	20.32
1-216604-0	10	25.4	22.86
1-216604-1	11	27.94	25.4
1-216604-2	12	30.48	27.94
1-216604-3	13	33.02	30.48
1-216604-4	14	35.56	33.02
1-216604-5	15	38.1	35.56
1-216604-6	16	40.64	38.1
1-216604-7	17	43.18	40.64
1-216604-8	18	45.72	43.18
1-216604-9	19	48.26	45.72
2-216604-0	20	50.8	48.26
2-216604-1	21	53.34	50.8
2-216604-2	22	55.88	53.34
2-216604-3	23	58.42	55.88
2-216604-5	25	63.5	60.96
2-216604-7	27	68.58	66.04
3-216604-0	30	76.2	73.66
3-216604-2	32	81.28	78.74
3-216604-5	35	88.9	86.36
4-216604-0	40	101.6	99.06
4-216604-6	46	116.84	114.3
6-216604-4	64	162.56	160.02
6-216604-5	65	165.1	162.56

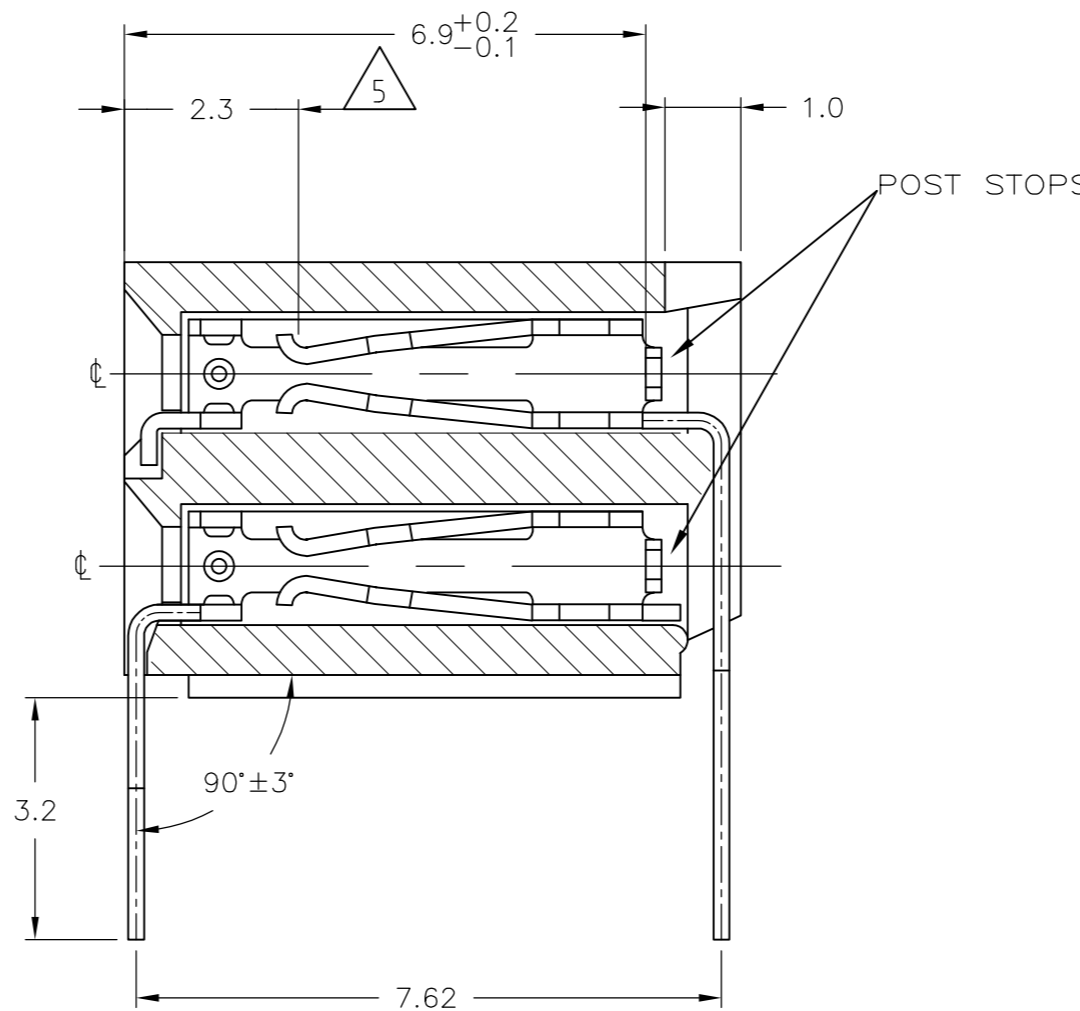
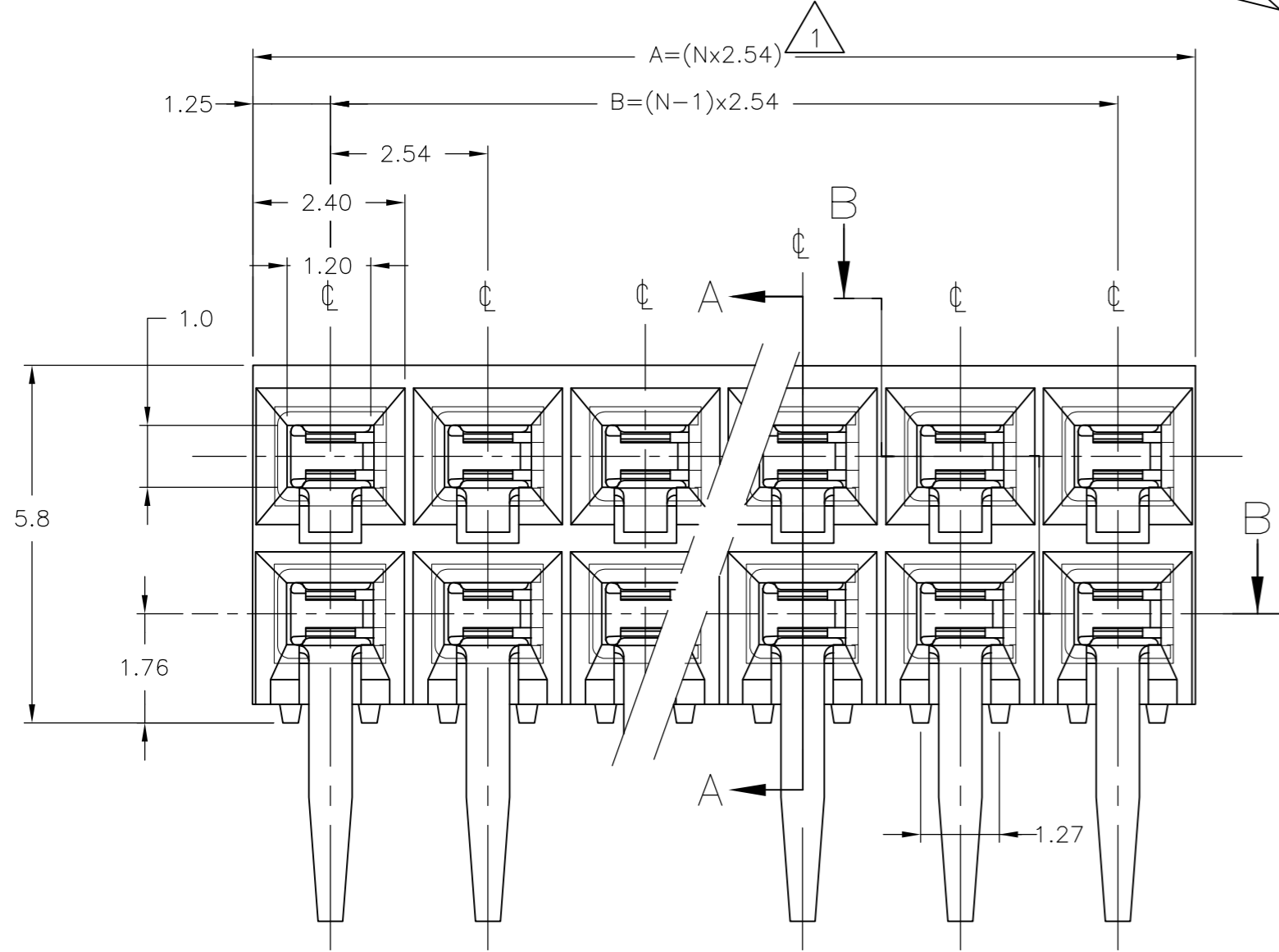
LOC	DIST	REVISIONS					
IR	-	P	LTR	DESCRIPTION	DATE	DWN	APVD
		H5		NOTE 7 CORRECTED	30JAN2012	MHM	RP

NOTES:

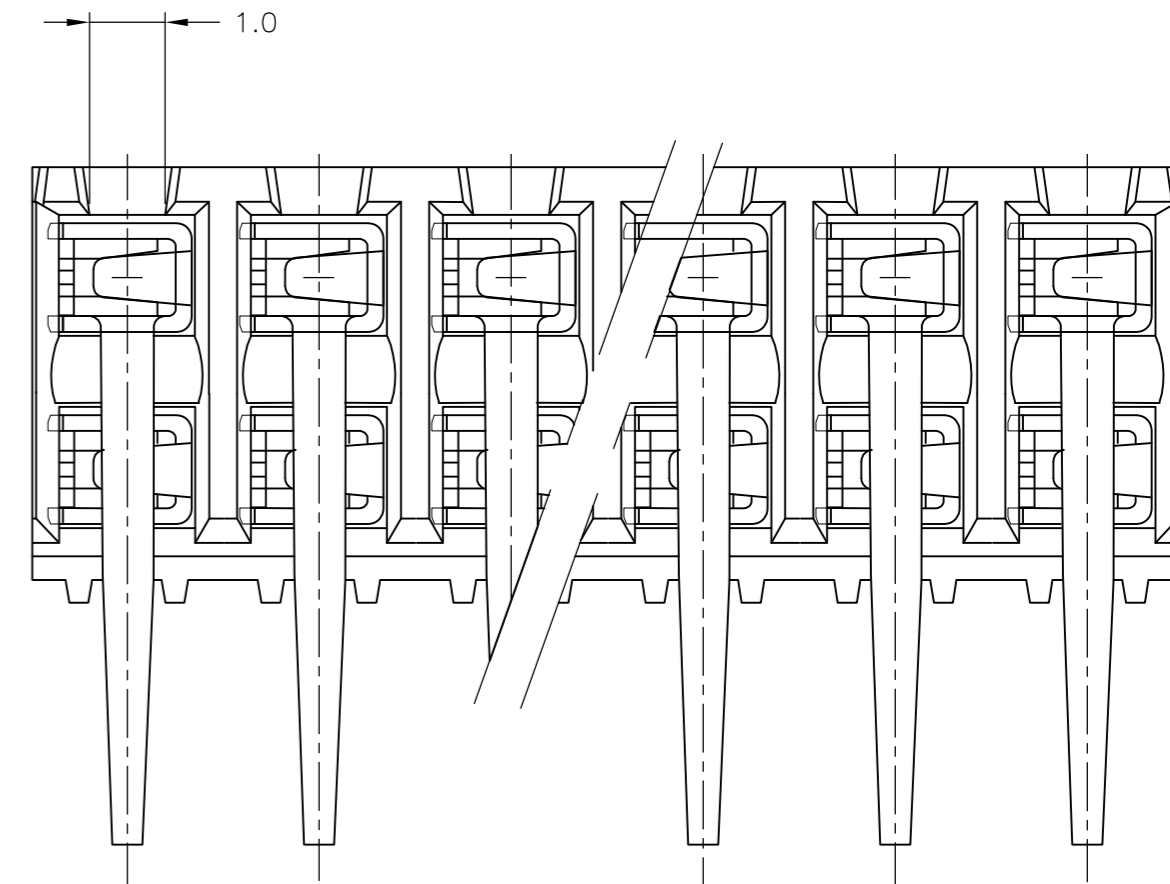
- 1 TO DETERMINE DIMENSION TAKE N= NR. OF POS FOR EXAMPLE, 10 POS.,  $N \times 2.54 = 25.4\text{mm}$ . FOR ORDER NR. USE BASIC NR. + NR. OF POS. FOR EXAMPLE, 2 POS.= 216604-2 (SHORTEST VERSION) 65 POS.= 6-216604-5 (LONGEST VERSION)
- 2 HOUSING MATERIAL, GREEN GLASS FILLED POLYESTER, UL 94V-0 CONTACT MATERIAL, PHOSPHOR BRONZE.
- 3 PLATING, UNDERCOATING, 1.3µm Ni AT CONT.PLACE, 0.8µm Au AT SOLDER-TINES, 3.0-5.0µm TIN
- 4 MATES WITH 0.63 SQUARE/ROUND MODU POSTS
- 5 CONTACT POINT
- 6 RECOMMENDED P.C.BOARD THICKNESS 1.6mm
- 7 PRINTED: THE WORD "TE" [FOR 2 TO 6 POS] THE WORD "TE" & PRODUCTION DATE [FOR 7 TO 12 POS] THE WORD "TE", PRODUCTION DATE & BASIC PART NO. [FOR 13 TO 65 POS] AND A DASHED LINE OVER THE LENGTH OF HOUSING TO INDICATE CONTACT MATING SIDE.



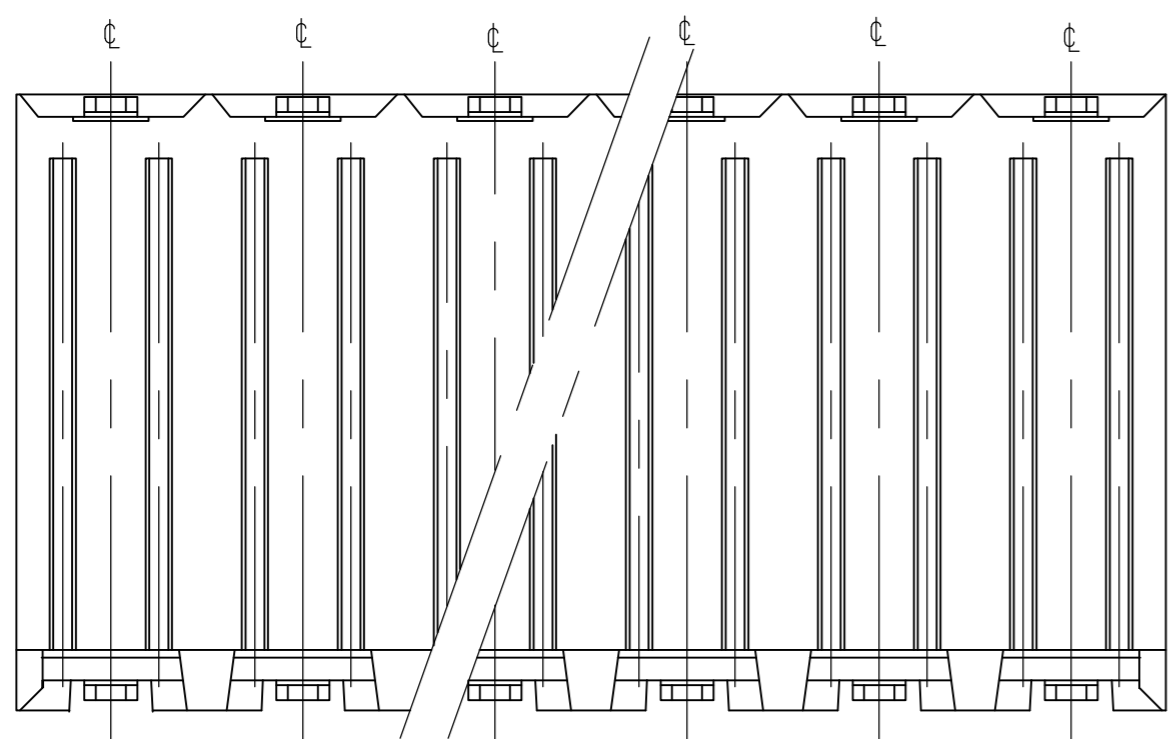
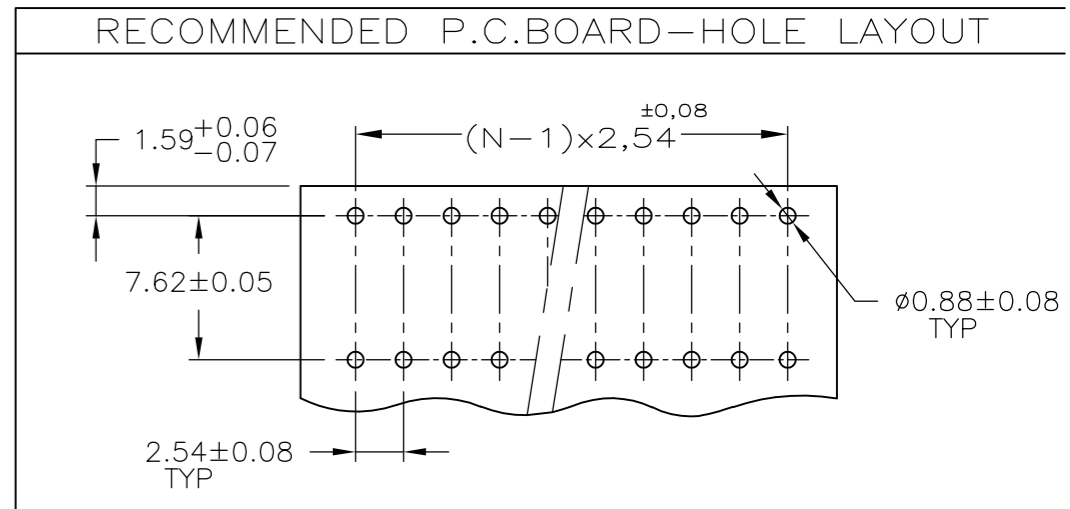
SECTION B-B/TOP VIEW



SECTION A-A



REAR VIEW



BOTTOM VIEW

THIS DRAWING IS A CONTROLLED DOCUMENT.		DWN W.R.ANNOKKEE 19-12-91	TE Connectivity	
		CHK R. de Blicck 07 NOV 95		
DIMENSIONS: mm		TOLERANCES UNLESS OTHERWISE SPECIFIED: ±0.15	NAME R.SMEETS 07-NOV-95	
		0 PLC ± -	PRODUCT SPEC 108-19072	
		1 PLC ± -	APPLICATION SPEC	
		2 PLC ± -	WEIGHT -	
		3 PLC ± -	SIZE A2	
		4 PLC ± -	CAGE CODE 00779	
MATERIAL		FINISH	DRAWING NO C=216604	
2		3	RESTRICTED TO -	
CUSTOMER DRAWING		SCALE 10:1		SHEET 1 OF 1
				REV H5