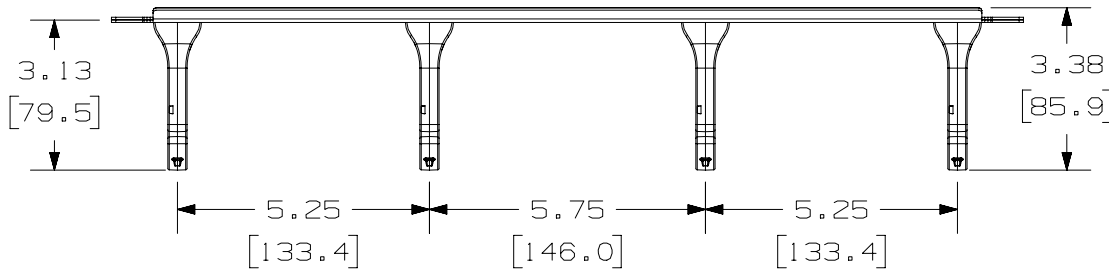


2

1

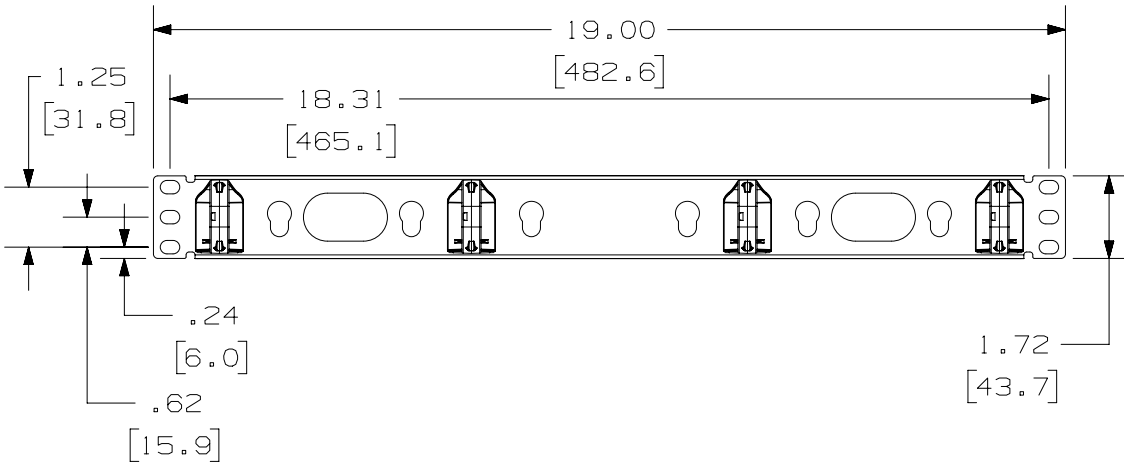
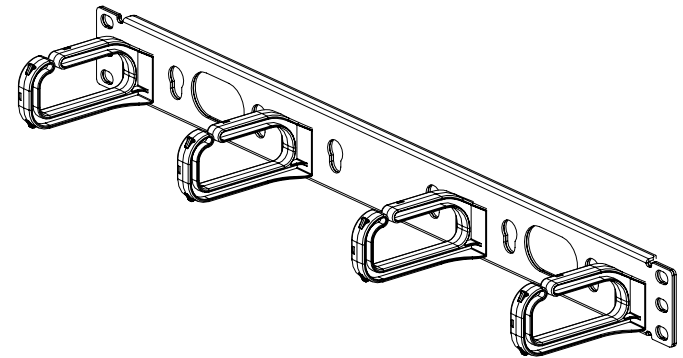
THIS COPY IS PROVIDED ON A RESTRICTED BASIS AND IS NOT TO BE USED IN ANY WAY DETRIMENTAL TO THE INTERESTS OF PANDUIT CORP.

PANDUIT P/N	WEIGHT
CMPHF1	.65 LB/EACH PC (293.4 g/EACH PC)



NOTES:

1. SEE CATALOG FOR COMPLETE LIST OF PARTS APPLICABLE FOR USE WITH THIS PART.
2. DIMENSIONS IN PARENTHESES ARE IN METRIC.
3. COMPONENTS:  
4- D-RINGS  
1- METAL STAMPING  
4- 12-24 SCREWS
4. FOR OPTIONAL SNAP ON COVER USE PART NUMBER CMPHIC.



TITLE		OPEN CABLE MANAGEMENT PANEL HORIZONTAL FRONT ONLY (CMPHF1)	
CUSTOMER DRAWING			
ITEM REVISION NAME	M00671AD/03	<b>PANDUIT</b>	
DATASET FILE NAME	M00671AD_DC/03A		
UNLESS OTHERWISE SPECIFIED, DIMENSIONAL TOLERANCES ARE: IN ( mm )		MATERIAL:	STAMPING- BLACK POWDER COATED C.R.S.
			D-RINGS- BLACK PC
		DRAWING NUMBER:	00671-05
THIRD ANGLE PROJECTION		SHT 1 OF 1	
DRAWN BY	DATE	CHK	SCALE
JsP	11-1-99	CEF	NONE
REV	DATE	BY	CHK
03A	3-26-15	TWV	MACA
DESCRIPTION		APR	ECN
BOM ADJUSTMENT; REVISED NOTES.			00671-05

2

1

D10100DA/15