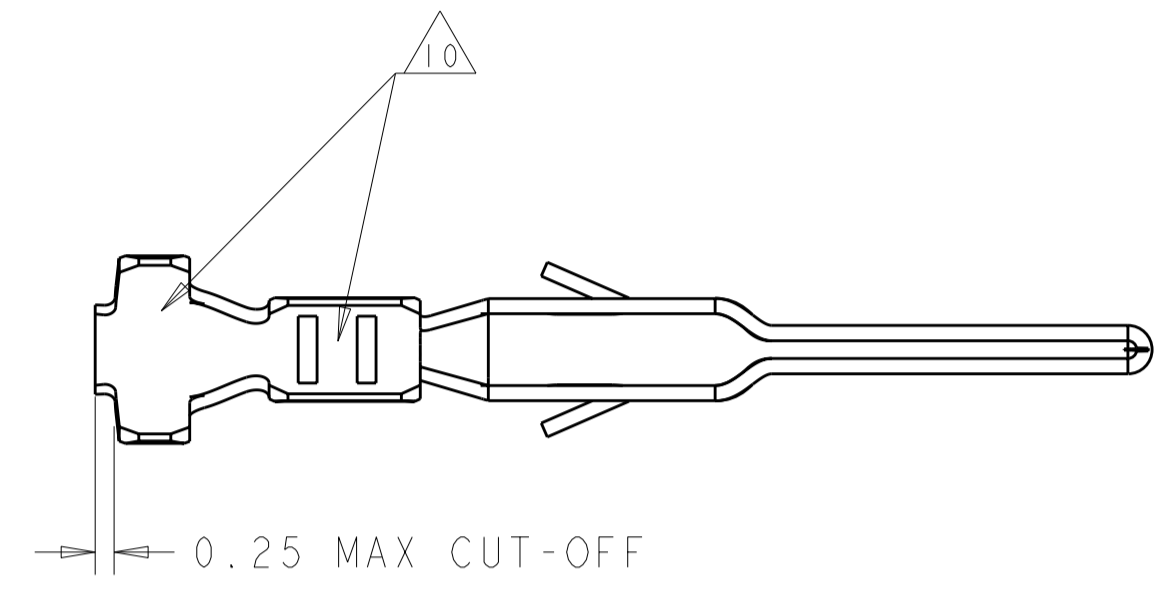
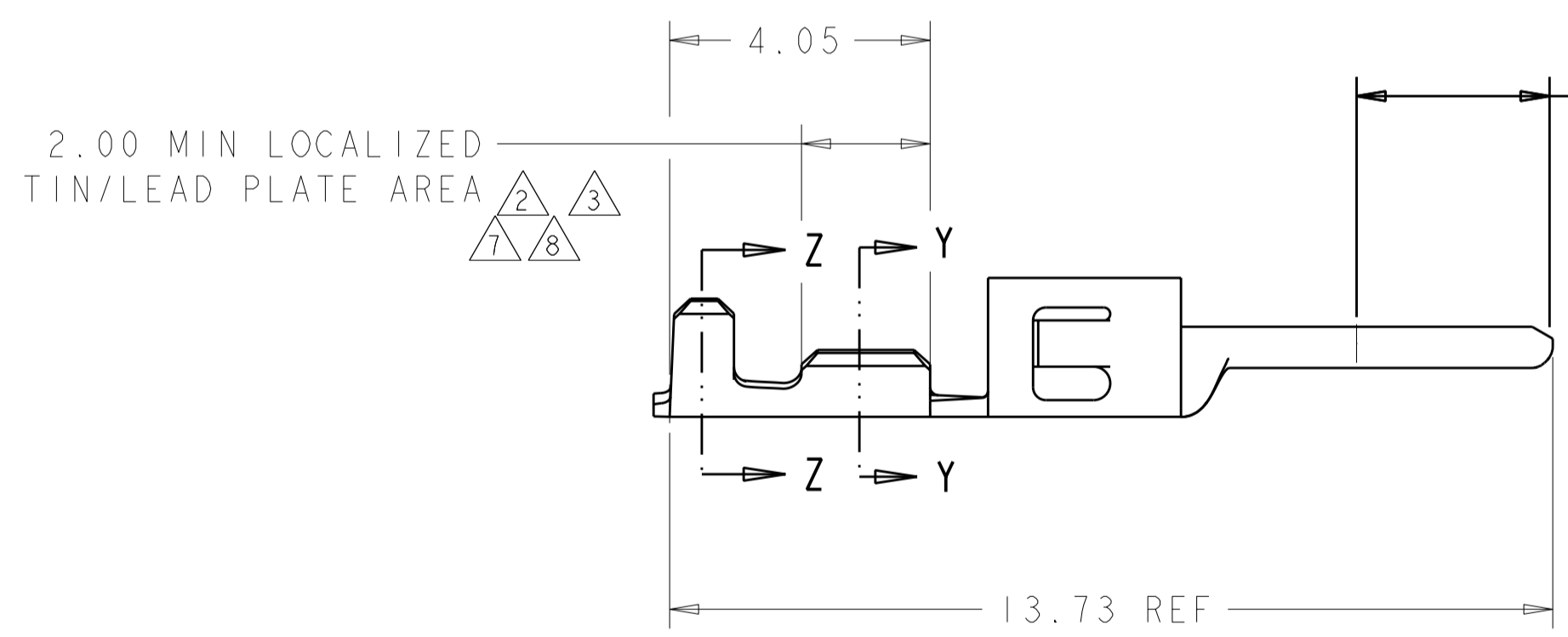


THIS DRAWING IS UNPUBLISHED. RELEASED FOR PUBLICATION 20  
 © COPYRIGHT 20 BY - ALL RIGHTS RESERVED.

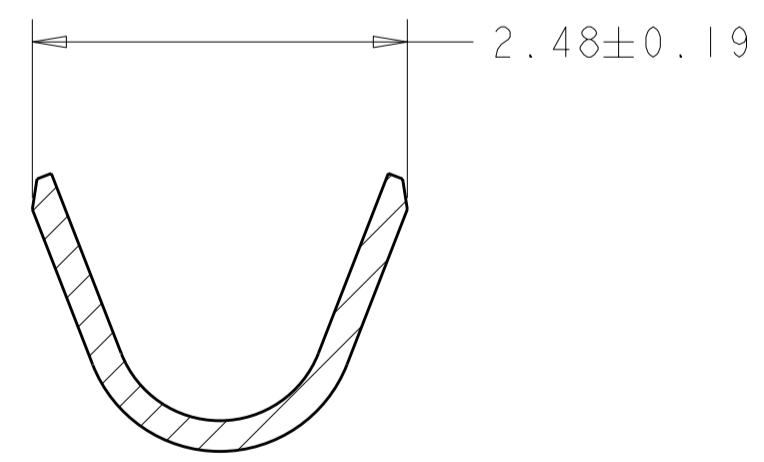
LOC	DIST	REVISIONS					
CM	00	P	LTR	DESCRIPTION	DATE	DWN	APVD
		B2		REVISED PER ECO-11-005027	16MAR2011	RK	HMR



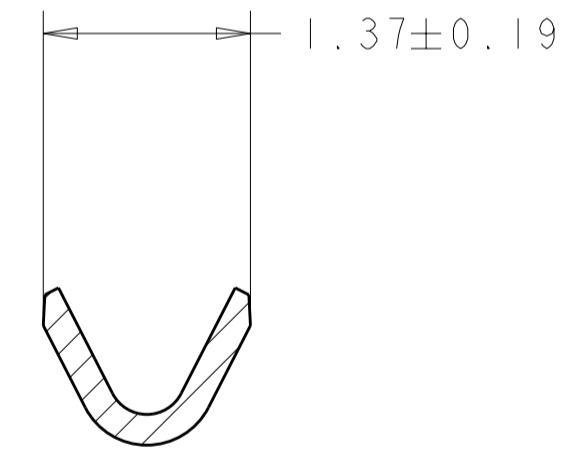
- 1. 2.5 µm MIN BRIGHT TIN/LEAD ENTIRE STOCK OVER 1.27 µm MIN NICKEL ENTIRE STOCK.
- 2. 0.38 µm MIN GOLD IN LOCALIZED GOLD PLATE AREA, 2.5 µm MIN BRIGHT TIN/LEAD IN LOCALIZED TIN/LEAD PLATE AREA, BOTH OVER 1.27 µm MIN NICKEL ON ENTIRE STOCK.
- 3. 0.76 µm MIN GOLD IN LOCALIZED GOLD PLATE AREA, 2.5 µm MIN BRIGHT TIN/LEAD IN LOCALIZED TIN/LEAD PLATE AREA, BOTH OVER 1.27 µm MIN NICKEL ON ENTIRE STOCK.
- 4. WIRE RANGE 26-30 AWG.
- 5. INSULATION RANGE 0.89-1.52
- 6. 2.5 µm MIN BRIGHT TIN ENTIRE STOCK OVER 1.27 µm MIN NICKEL ENTIRE STOCK.
- 7. 0.38 µm MIN GOLD IN LOCALIZED GOLD PLATE AREA, 2.5 µm MIN BRIGHT TIN IN LOCALIZED TIN PLATE AREA, BOTH OVER 1.27 µm MIN NICKEL ON ENTIRE STOCK.
- 8. 0.76 µm MIN GOLD IN LOCALIZED GOLD PLATE AREA, 2.5 µm MIN BRIGHT TIN IN LOCALIZED TIN PLATE AREA, BOTH OVER 1.27 µm MIN NICKEL ON ENTIRE STOCK.
- 9. NOTE DELETED.
- 10. TIN PLATING THICKNESS INSIDE WIRE AND INSULATION BARRELS TO BE 1.27 µm MIN.



3.00 MIN LOCALIZED GOLD PLATE AREA 2 3 7 8

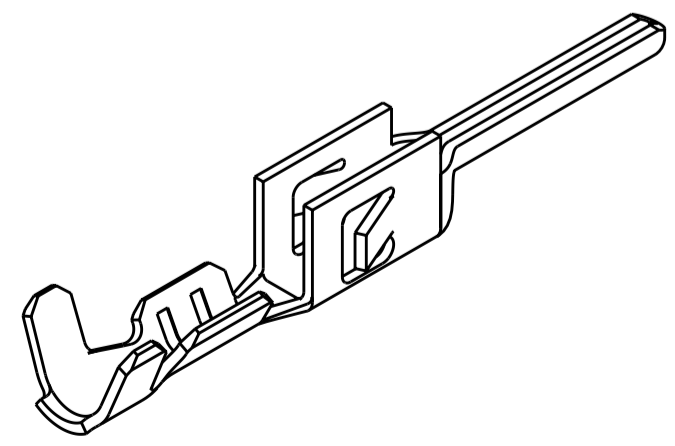


SECTION Z-Z  
SCALE 20:1



SECTION Y-Y  
SCALE 20:1

8	1-794613-2
7	1-794613-1
6	1-794613-0
3	794613-3
2	794613-2
1	794613-1
FINISH	PART NUMBER



**METRIC**

THIS DRAWING IS A CONTROLLED DOCUMENT.

DIMENSIONS: mm	TOLERANCES UNLESS OTHERWISE SPECIFIED:	DWN W J RUDY 29AUG2000	TE Connectivity
		CHK W DAVIS 29AUG2000	
		APVD W DAVIS 29AUG2000	
		NAME	
MATERIAL: 0.20 THK BRASS		PRODUCT SPEC	PLUG CONTACT, CRIMP SNAP, 26-30 AWG, LOOSE PIECE, MICRO MATE-N-LOK(TM)
		APPLICATION SPEC	
		WEIGHT	SIZE: A2 CAGE CODE: 00779 DRAWING NO: 794613
		CUSTOMER DRAWING	RESTRICTED TO: -

SCALE 10:1 SHEET 1 OF 1 REV B2