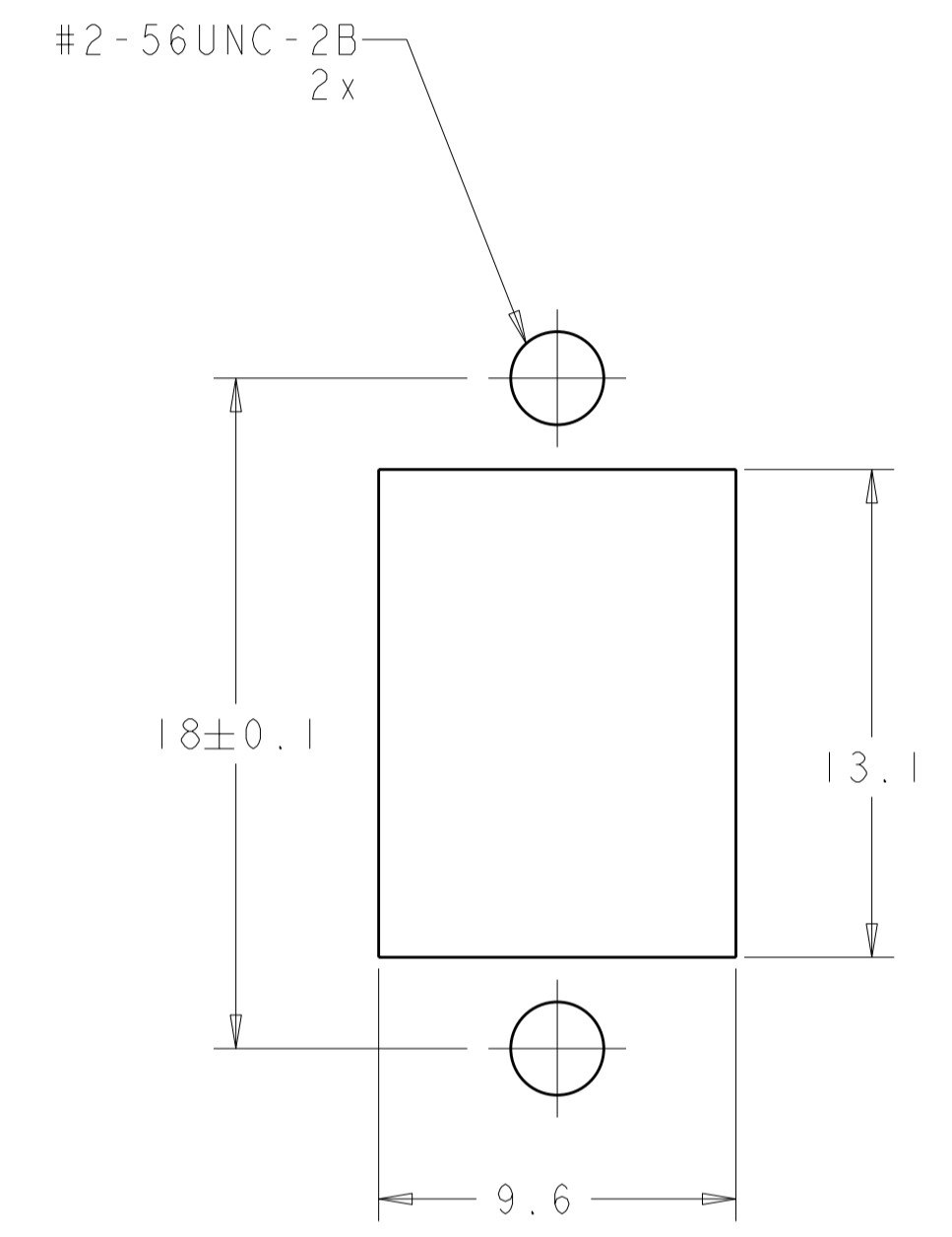
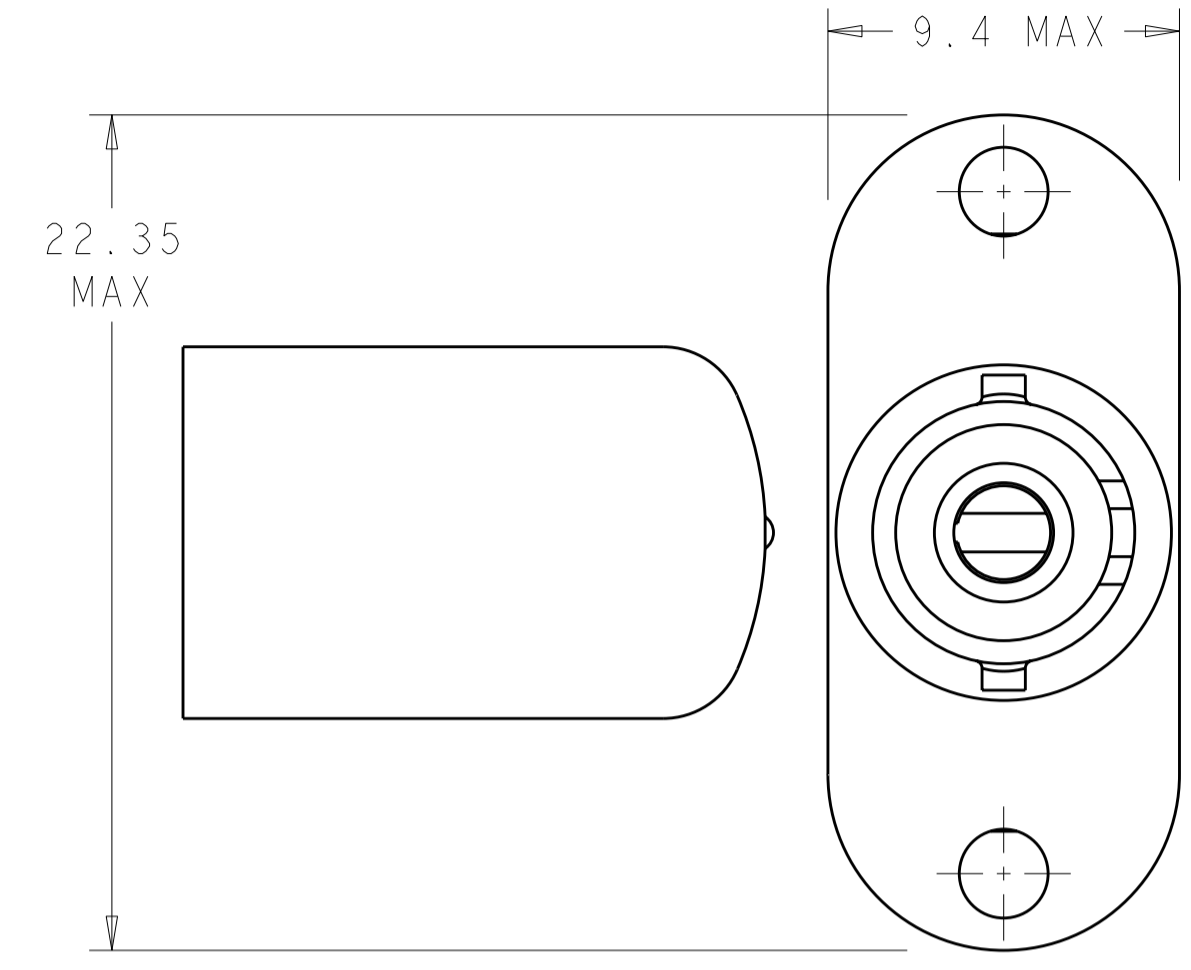
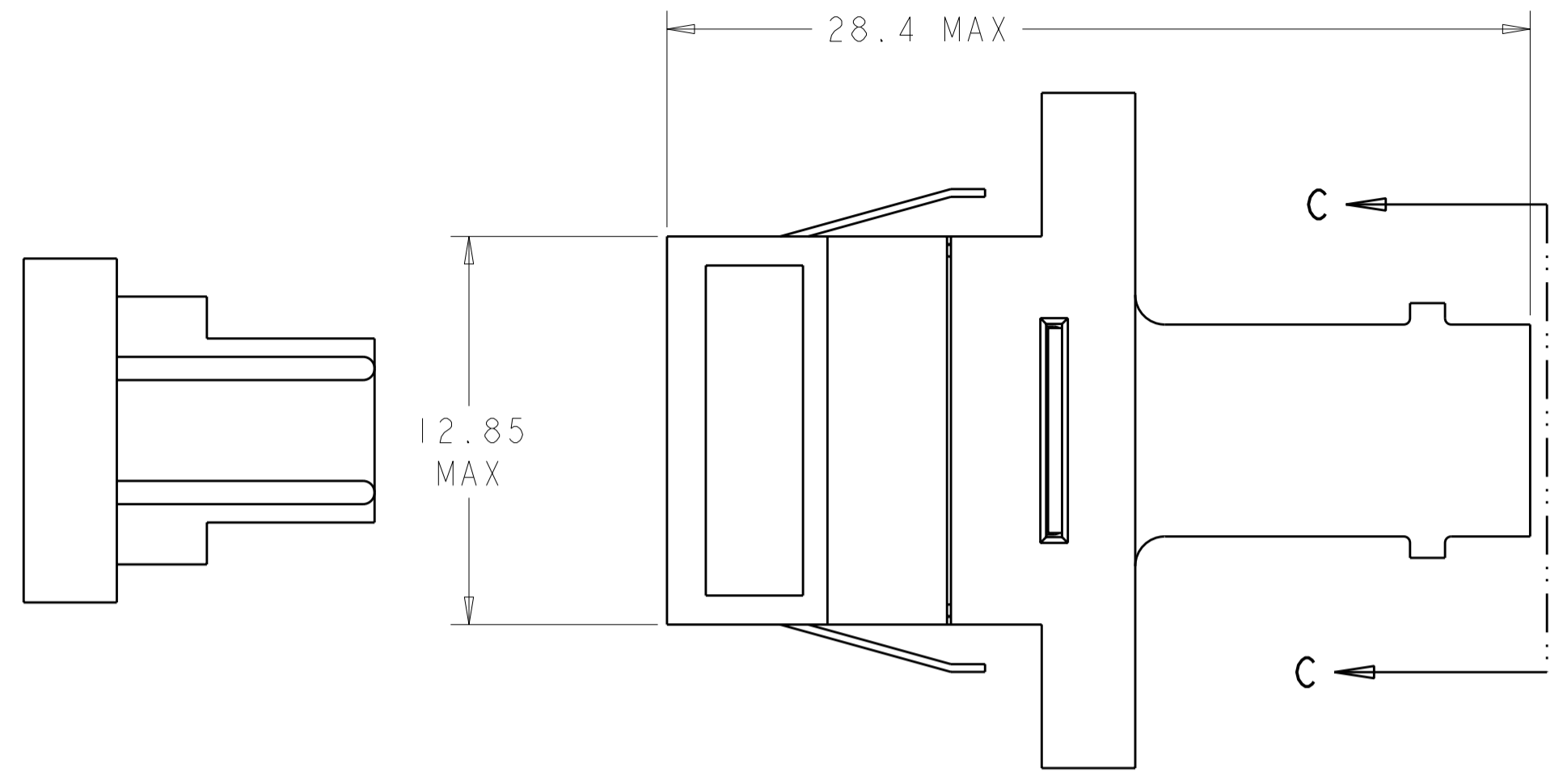


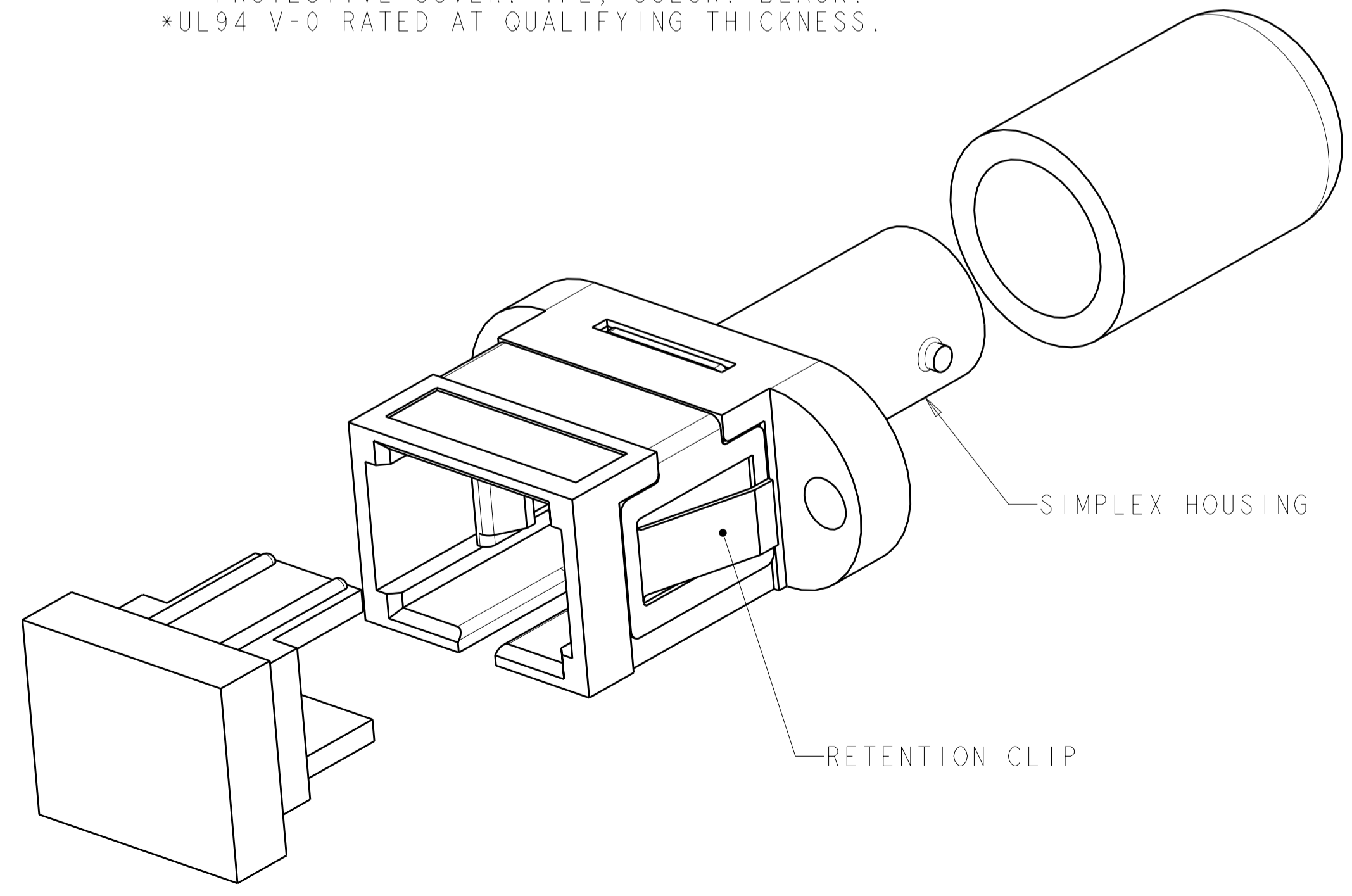
THIS DRAWING IS UNPUBLISHED. RELEASED FOR PUBLICATION 20
 © COPYRIGHT 20 BY TYCO ELECTRONICS CORPORATION. ALL RIGHTS RESERVED.

LOC CE DIST 00

| REVISIONS | | | | |
|-----------|-----|-------------------------|-----------|-------|
| P | LTR | DESCRIPTION | DATE | APVD |
| 1 | | RELEASE PER NPR 06-0529 | 11MAY2006 | BB SM |
| | | | | |
| | | | | |



⚠ MATERIAL:
 HOUSING: PBT-GF30, SEE DASH NUMBERS FOR COLOR.*
 RETAINER: PEI-GF30, COLOR: BLACK.*
 RETENTION CLIP: STAINLESS STEEL.
 ALIGNMENT SLEEVE: SEE DASH NUMBERS.
 PROTECTIVE CAP: VINYL.
 PROTECTIVE COVER: TPE, COLOR: BLACK.*
 *UL94 V-0 RATED AT QUALIFYING THICKNESS.



| | | |
|------------------|-------|-------------|
| CERAMIC | BLACK | 1918540-1 |
| ALIGNMENT SLEEVE | COLOR | PART NUMBER |

| | | | | |
|---|--|---------------------------|---|---------------------|
| THIS DRAWING IS A CONTROLLED DOCUMENT FOR TYCO ELECTRONICS CORPORATION. IT IS SUBJECT TO CHANGE AND THE CONTROLLING ENGINEERING ORGANIZATION SHOULD BE CONTACTED FOR THE LATEST REVISION. | | DWN B. BRIGGS 11MAY2006 | Tyco Electronics | |
| | | CHK S. MILLER 11MAY2006 | Harrisburg, PA 17105-3608 | |
| | | APVD S. BUCHTER 11MAY2006 | NAME RECEPTACLE ASSEMBLY, AMP SC TO BAYONET | |
| | | PRODUCT SPEC - | | |
| | | APPLICATION SPEC - | | |
| | | WEIGHT - | SIZE A2 | RESTRICTED TO - |
| | | CUSTOMER DRAWING | CAGE CODE 00779 | DRAWING NO. 1918540 |
| | | | SCALE 5:1 | SHEET OF REV 1 |