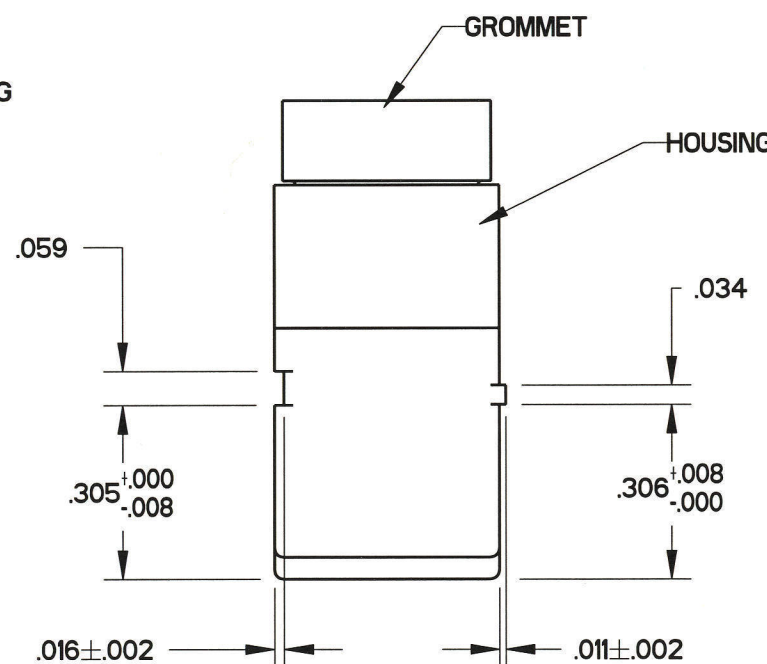
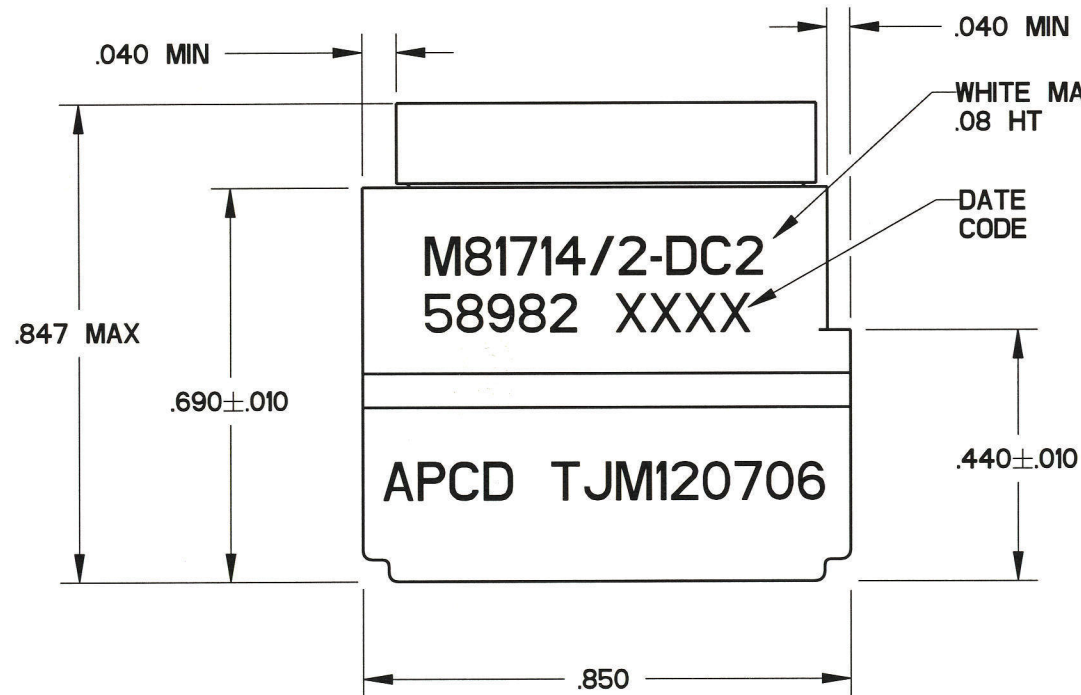
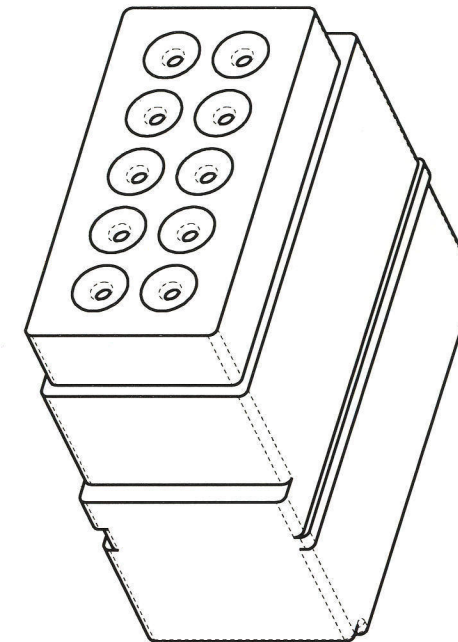
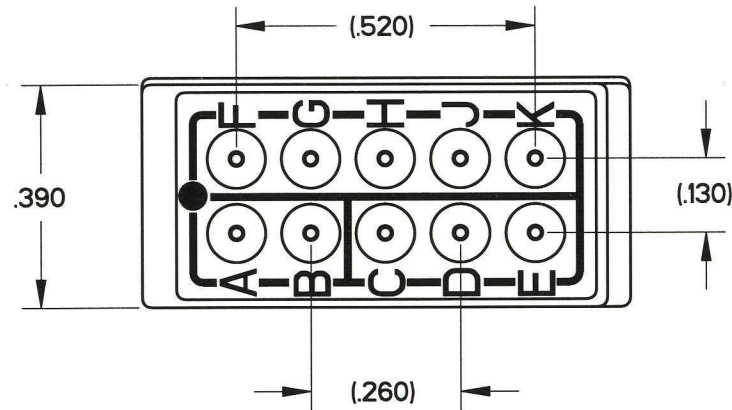


REV	ECN	APP'D
C	5814	BT 4-13-06



- NOTES:
- PERFORMANCE:
    - A) MEETS PERFORMANCE AND ENVIRONMENTAL REQUIREMENTS OF MIL-T-81714/2
    - B) MODULES ARE TO BE MOUNTED INTO RACK ASSEMBLY M81714/5 OR/16 OR COMMERCIAL EQUIVALENT.
    - C) DIELECTRIC WITHSTANDING VOLTAGE: 1500 VRMS AT SEA LEVEL, 200 VRMS AT 100,000 FEET.
    - D) OPERATING TEMPERATURE: -65 C TO 200 C.
    - E) CURENT RATING: 7.5 AMPS
    - F) VIBRATION AND SHOCK: MIL-T-81714 PARAGRAPH 3.5.5 AND 3.5.8
  - MATERIALS:
    - A) HOUSING - POLYETHERIMIDE, COLOR: BLACK.
    - B) GROMMET - SILICONE ELASTOMER, COLOR: BLUE
    - C) INTERNAL CONTACTS - COPPER ALLOY, GOLD PLATED
    - D) CONTACT RETAINERS - STAINLESS STEEL.

APCD P/N	SUPPLIED				MARKING		CLASS	
	QTY.	MIL. P/N	APCD P/N	QTY.	APCD P/N	APCD QPL NO.		MIL. NO
TJM120606	--	--	--	--	--	TJM120706	M81714/2-DC2	D
TJM120706	11	M39029/1-101	CNP006000	2	CNA032401			

DIMENSIONS ANSI Y14.5M UNITS: INCHES Pro/E FILE	TOLERANCES .XX ±0.01 .XXX ±0.005 ANGLES ±2.0°	PROJECTION 	<b>Amphenol Pcd</b> SPECIFICATION DRAWING		TITLE <b>TERMINAL JUNCTION MODULE SZ 20 FEEDBACK, DC2</b>		
			DRWN A. SWEEZEY 03/09/06	ENGR R. SWAINE 03/01/06	SIZE <b>B</b>	DWG NO. <b>TJM120606</b>	REV <b>C</b>
ORIGINAL	THIS DOCUMENT CONTAINS PROPRIETARY INFORMATION WHICH IS THE CONFIDENTIAL PROPERTY OF AMPHENOL PCD INC., PEABODY, MA		APPD <i>Paul R</i> 4-13-06		CODE: 58982	SCALE: 3:1	SHEET 1 OF 1

TJM120606

TJM120606