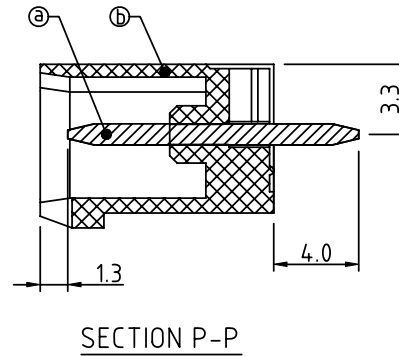
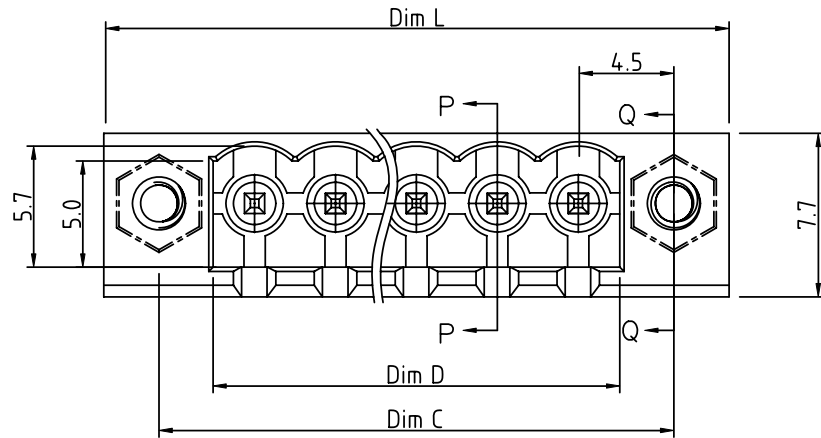
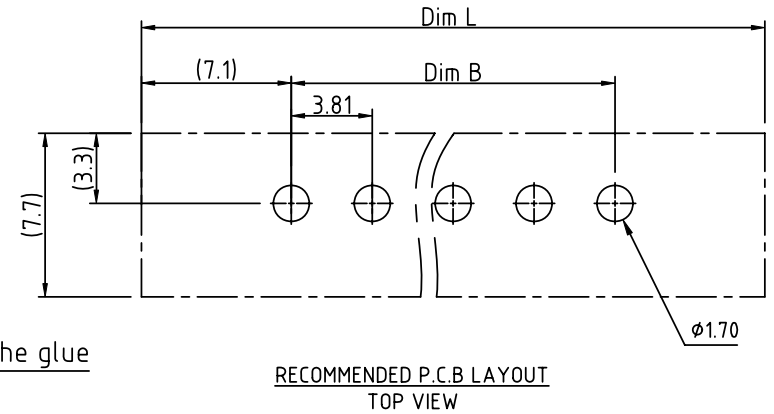
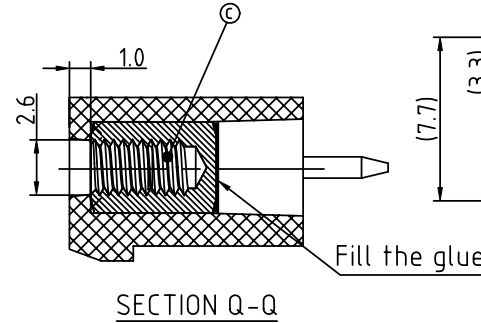
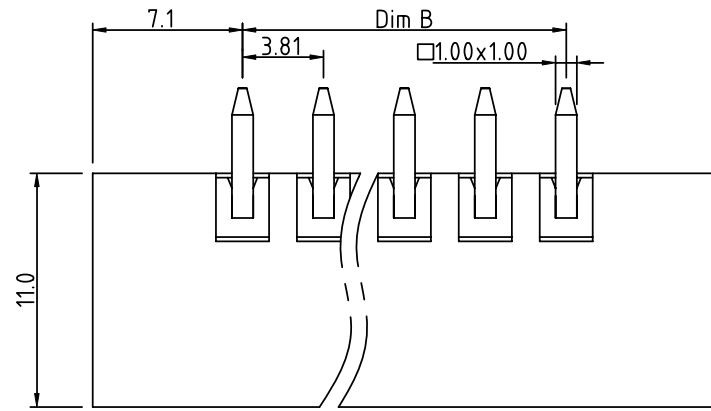


PRODUCT NUMBER	PITCH
VExx32x000J0G	3.81 mm



- Material:
- Item ① Contact pin: Copper, Tin plated
  - Item ② Terminal(housing): Thermoplastic (UL94V-0)
  - Item ③ With flange nut: Brass ,M2.5
- Electrical:
- Voltage rating: 300V
  - Current rating: 8A
  - Withstanding Voltage: 1.6 KV
  - Operating temperature: -40°C to +115°C
  - Soldering temperature: 260°C±5°C/5 Sec
  - Safety Approval:

N=Number of poles

Dim L	NX3.81+10.39		
Dim B	(N-1)X3.81		
Dim C	(N-1)X3.81+9.0		
Dim D	(N-1)X3.81+3.9		

Poles	Dim B	Dim L & C	Dim D
2-5P	±0.10	±0.15	+0.35 -0
6-10P	±0.15	±0.20	
11-15P	±0.20	±0.25	
16-24P	±0.25	±0.35	

PART NO.: VE xx 32 x 0 00J0 G

Solid block		Color		RoHS compliant
No. of poles	0	Black (RAL9005)	2	Red (RAL3001/D)
02	2 poles	3	Orange(RAL2011/P)	In copper Alloy
03	3 poles	4	Yellow(RAL1018/A)	
...	...	5	Green(RAL6018/T)	
24	24 poles	6	Blue (RAL5015/A)	
		8	Grey(RAL7035/D)	
		9	White(RAL1102)	
		C	Green(RAL6018/U)	

mat'l. code		surface ASME Y14.5	tolerance ASME Y14.5	projection	product family
ltr	ecn no	dr	date		TERMINAL BLOCK
				MM	title
				scale	TERMINAL BLOCK
					PLUGGABLE SOCKET, VERTICAL, WITH FLANGE
				dr	dwg no
				enrg	sheet 1 of 1
				chr	size
				appd	A4
				sheet index	type
				revision	CUSTOMER Drawing
				sheet	