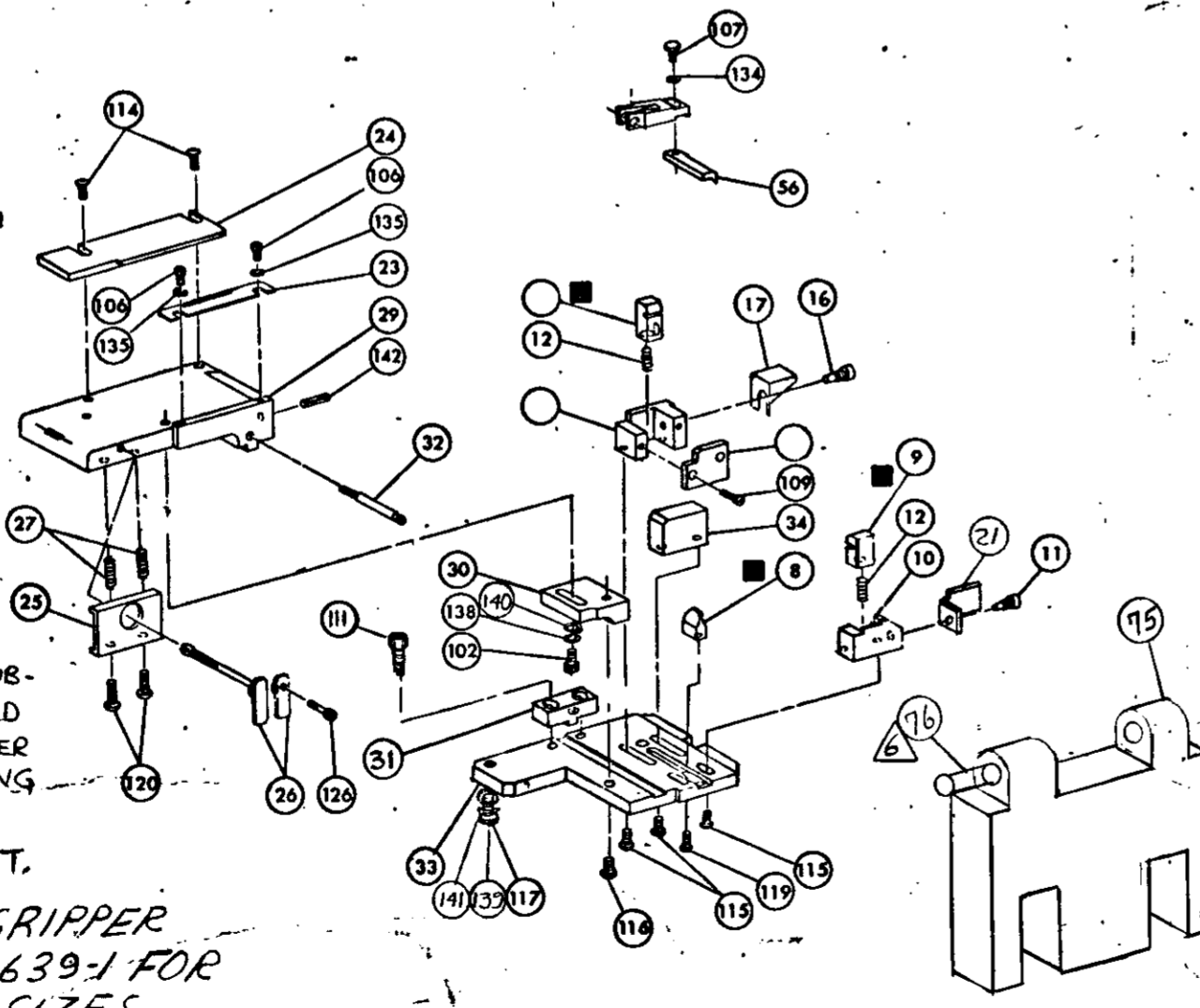
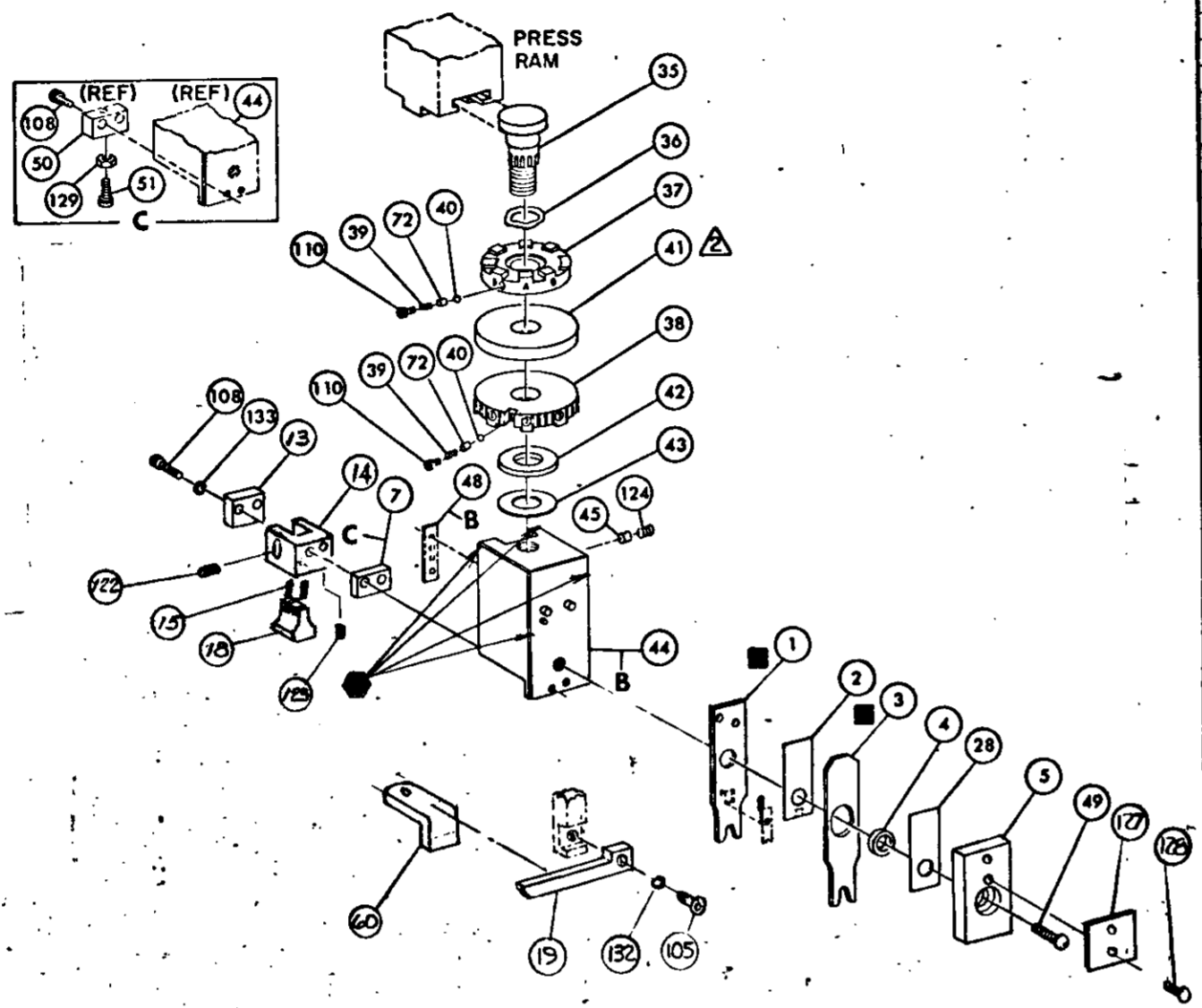
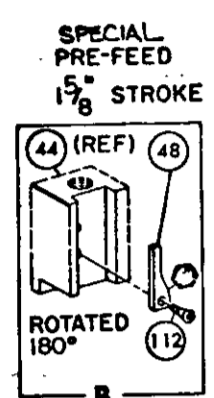


THIS DRAWING IS A CONTROLLED DOCUMENT FOR THE CONTROL OF CHANGE. ANY CHANGE TO THIS DRAWING MUST BE APPROVED BY THE CONTROLLING ENGINEERING ORGANIZATION SHOULD BE CONTACTED FOR THE LATEST REVISION.

466920-2



**NOTES:**

1- ONLY THE ITEMS WITH QUANTITIES SPECIFIED ON PARTS LIST ARE USED ON THIS APPLICATOR.

△ USED IN PLACE OF ITEM 38 WHEN INSULATION CRIMP IS NOT USED.

3- FEED PIVOT-CENTER HOLE

**KEY:**

■ RECOMMENDED SPARE PARTS

● GREASE WEEKLY

4 ITEM 76 (GRIPPER CYL. SUB-ASSY) MUST BE INSTALLED ON THE STRIPPER CRIMPER PRESS BEFORE INSTALLING THIS APPLICATOR IN IT.

5 PART NOT ON PRINT.

6 REPLACE LEFT GRIPPER AIR CYL. PIN 462639-1 FOR GREATER WIRE SIZES

QTY	PART NO	DESCRIPTION	ITEM NO	QTY	PART NO	DESCRIPTION	ITEM NO
1	4-21028-0	PIN, SLOT SPR (.093 DIA X .75) STR G PLATE	142	REF	694433-B	PAWL FEED	56
1	21899-2	WASHER, FLAT (NO 10) MOUNTING	141				55
1	21899-2	WASHER, FLAT (NO 10) S. G. ADJ BLOCK	140				54
1	21024-5	WASHER, LOCK (NO 10) MOUNTING	139				53
1	21024-5	WASHER, LOCK (NO 10) STRIP GUIDE ADJ BLOCK	138				52
			137			BUMPER, HOLDDOWN	51
			136			SPACER, TONKER	50
2	21024-2	WASHER, LOCK (NO 4) FRONT STRIP GUIDE	135	1	7-21002-9	BOLT, CRIMPER (BUT. HD. 5/16-24 UNF X 1.00)	49
REF	21024-4	WASHER, LOCK (NO 8) FEED FINGER	134	1	690602-6	CAM PRE FEED 1.62 STROKE	48
2	21024-4	WASHER, LOCK (NO 8) DEPRESSOR	133				47
FEF	21024-4	WASHER, LOCK (NO 8) STRIPPER	132				46
			131	1	690191-1	PLUG, NYLON	45
			130	1	455673-1	RAM	44
			129	1	690125-1	WASHER, LAMINATED	43
2	21068-5	NUT, HEX MACH (6-32) HOLDDOWN	128	1	690124-1	WASHER, RAM	42
2	21017-2	SCR, DRIVE (#2 X .188 LG)	127			DISC, SPACER	41
1	819347-1	PLATE, I.D.	126				40
			125	2	23241-6	BALL, STEEL	39
			124	2	690170-1	SPRING, COMPRESSION	38
1	21009-2	SCR, SKT SET (1/4-20 X .25) (LOC-WEL) RAM	123	1	690142-1	DISC, INSULATION	37
1	2-21008-1	SCR, SKT SET (4-40 X .25) (LOC-WEL) HOLD DOWN	122	1	6-690692-3	DISC, WIRE	36
1	4-21028-0	PIN, SLOT SPR (.093 X .75)	121	1	22480-5	WASHER, SPRING	35
			120	1	690212-1	POST, RAM	34
2	3-21002-0	SCR, BUT HD SKT CAP (10-32 X .88) DRAG	119	1	692176-4	SUPPORT, TERMINAL	33
1	22733-3	SCR, BUT HD SKT CAP (8-32 X .38) (LOC-WEL) ANVIL	118	1	462544-1	PLATE, BASE SPECIAL	32
			117	1	690432-3	SCREW, ADJUSTMENT	31
1	3-21000-9	SCR, SOC HD SKT CAP (10-32 X 1.00) MOUNTING	116	1	462543-1	BLOCK, SCREW SPECIAL	30
1	2-21002-7	SCR, BUT HD SKT CAP (10-32 X .50) SG ADJ BLOCK	115	1	455689-1	BLOCK, STRIP GUIDE ADJ	29
4	2-21002-2	SCR, BUT HD SKT CAP (8-32 X .50) SHEAR	114	1	455671-4	PLATE, STRIP GUIDE	28
2	2-21002-2	SCR, BUT HD SKT CAP (8-32 X .50) R STRIP GUIDE	113	1	1-455888-0	SPACER, FRONT SHEAR DEPRESSOR	27
			112	1	1-22284-0	SPRING, DRAG	26
1	1-21002-7	SCR, BUT HD SKT CAP (6-32 X .50) CAM	111	1	690546-1	LEVER, DRAG RELEASE	25
2	2-21000-7	SCR, SKT HD CAP (8-32 X .50) SCR. BLOCK	110	1	240792-5	DRAG, STOCK	24
2	23030-1	SCR, SKT HD CAP (6-32 X .25) (LOC-WEL) CP DISC	109	1	690504-6	GUIDE STRIP (REAR)	23
			108	1	690438-1	GUIDE, STRIP (FRONT)	22
2	3-21000-0	SCR, SKT HD CAP (8-32 X .88) DEPRESSOR (REAR)	107	1	463756-1	GUIDE, SCRAP	21
REF	2-21002-1	SCR, BUT HD MACH (8-32 X .38) FEED FINGER	106				20
2	1-21000-3	SCR, SKT HD CAP (4-40 X .25) F STRIP GUIDE	105	REF	462615-1	STRIPPER	19
REF	2-21002-1	SCR, BUT HD CAP (8-32 X .38) STRIPPER	104	1	459531-1	HOLDER, TERMINAL	18
			103			GUARD, CHIP (REAR)	17
			102			STOP, SHEAR (REAR)	16
1	3-22603-1	SCR, HEX HD CAP (10-32 X .38) SG ADJ BLOCK	101	2	3-22278-0	SPRING, HOLD DOWN	15
			79	1	455052-1	HOLDER, DEPRESSOR	14
			78	1	455053-1	PLATE, RETAINING	13
2	463310-2	BLADE, STRIPPING (#14)	77	1	5-22280-0	SPRING, SHEAR	12
1	684520-1	GRIPPER CYLINDER SUB ASSY A	76	1	690461-2	STOP, SHEAR (FRONT)	11
REF	813204-1	MOUNT STRIPPER	75	1	462548-1	HOLDER, SHEAR (FRONT) SPECIAL	10
			74	1	462547-1	SHEAR, FLOAT (FRONT) SPECIAL	9
			73	1	803653-1	ANVIL	8
2	690603-1	SPRING, ASSIST	72	1	4-24064-2	SPACER, HOLD DOWN	7
			71			DEPRESSOR, SHEAR (REAR)	6
			70	1	462838-1	DEPRESSOR, SHEAR (FRONT) SPECIAL	5
			69	1	238011-7	SPACER, TUBULAR, INS CRIMPER	4
			68	1	456134-5	CRIMPER, INSULATION	3
			67	1	455889-5	SPACER, CRIMPER	2
			66	1	1-456407-3	CRIMPER, WIRE	1

QTY	PART NO	DESCRIPTION	ITEM NO
REF	462484-1	STOP, WIRE	18

REMARKS	NO	REV
APPL USED ON MACHINE PART NO	MACH SERIAL NO	DISTRIBUTION
CUSTOMER NAME	APPL SERIAL NO	ORIGINAL
ADDRESS	PURCHASE ORDER	CUSTOMER COPY
CITY	ENG APP	FIELD ENG COPY

CRIMPING DATA				APPLICATOR WILL APPLY	
PAD LTR	CRIMP HEIGHT	WIRE SIZE	STRIP LENGTH	PIN	SOCKET
A	NOT USED			61118	61117
B	NOT USED			350218	350217
C	.064	14		350654	350653
D	.054	16		350687	

CRIMP SIZE TYPE FEED APPL INST

WIRE .100 F .430 A1 8040

INSUL .130 F

WIRE RANGE 16-14 INSULATION RANGE .130 MAX # 463345-1

REMARKS

\* CONVENTIONAL (SOFT) D.V.C. INSULATION ONLY

**— INACTIVE —**  
FOR REPLACEMENT ONLY