

Evaluation Board for CS4391A

Features

- Demonstrates recommended layout and grounding arrangements
- CS8414 receives AES/EBU, S/PDIF, & EIAJ-340 compatible digital audio
- Digital and analog patch areas
- Requires only a digital signal source and power supplies for a complete Digital-to-Analog (D/A) converter system

Description

The CDB4391A evaluation board is an excellent means for quickly evaluating the CS4391A 24-bit, stereo D/A converter. Evaluation requires an analog signal analyzer, a digital signal source, a PC for controlling the CS4391A (for control port mode only) and a power supply. Analog line level outputs are provided via RCA phono jacks.

The CS8414 digital audio receiver IC provides the system timing necessary to operate the D/A converter and will accept AES/EBU, S/PDIF, and EIAJ-340 compatible audio data. The evaluation board may also be configured to accept external timing and data signals for operation in a user application during system development.

ORDERING INFORMATION

CDB4391A

Evaluation Board

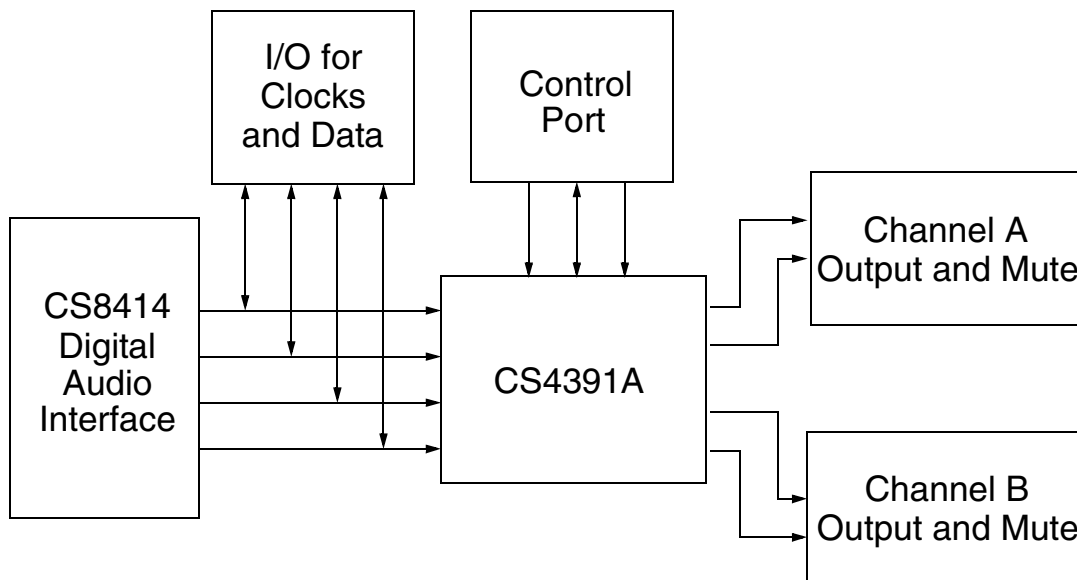


TABLE OF CONTENTS

1. CDB4391A SYSTEM OVERVIEW	4
2. CS4391A DIGITAL TO ANALOG CONVERTER	4
3. CS8414 DIGITAL AUDIO RECEIVER	4
4. CS8414 DATA FORMAT	4
5. INPUT/OUTPUT FOR CLOCKS AND DATA	5
6. POWER SUPPLY CIRCUITRY	5
7. GROUNDING AND POWER SUPPLY DECOUPLING	5
8. CONTROL PORT SOFTWARE	5
9. DSD OPERATION	6
10. PACKING LIST FOR CDB4391A	22

LIST OF FIGURES

Figure 1. System Block Diagram and Signal Flow	9
Figure 2. CS4391A and Level Shift	10
Figure 3. Channel B Audio Output and Mute Circuit	11
Figure 4. Channel A Audio Output and Mute Circuit	12
Figure 5. CS8414 Digital Audio Receiver	13
Figure 6. Digital Audio Inputs	14
Figure 7. Reset Circuit.....	15
Figure 8. Control Port Interface	16
Figure 9. I/O for Clocks and Data	17
Figure 10. Power Supply	18
Figure 11. Silkscreen Top	19
Figure 12. Top Side.....	20
Figure 13. Bottom Side.....	21

LIST OF TABLES

Table 1. CS8414 Supported Formats.....	5
Table 2. System Connections	6
Table 3. CDB4391A Jumper and Switch settings - STAND-ALONE MODE	7
Table 4. CDB4391A Jumper and Switch settings - CONTROL PORT MODE	8

Contacting Cirrus Logic Support

For all product questions and inquiries contact a Cirrus Logic Sales Representative.
To find one nearest you go to www.cirrus.com

IMPORTANT NOTICE

Cirrus Logic, Inc. and its subsidiaries ("Cirrus") believe that the information contained in this document is accurate and reliable. However, the information is subject to change without notice and is provided "AS IS" without warranty of any kind (express or implied). Customers are advised to obtain the latest version of relevant information to verify, before placing orders, that information being relied on is current and complete. All products are sold subject to the terms and conditions of sale supplied at the time of order acknowledgment, including those pertaining to warranty, patent infringement, and limitation of liability. No responsibility is assumed by Cirrus for the use of this information, including use of this information as the basis for manufacture or sale of any items, or for infringement of patents or other rights of third parties. This document is the property of Cirrus and by furnishing this information, Cirrus grants no license, express or implied under any patents, mask work rights, copyrights, trademarks, trade secrets or other intellectual property rights. Cirrus owns the copyrights associated with the information contained herein and gives consent for copies to be made of the information only for use within your organization with respect to Cirrus integrated circuits or other products of Cirrus. This consent does not extend to other copying such as copying for general distribution, advertising or promotional purposes, or for creating any work for resale.

An export permit needs to be obtained from the competent authorities of the Japanese Government if any of the products or technologies described in this material and controlled under the "Foreign Exchange and Foreign Trade Law" is to be exported or taken out of Japan. An export license and/or quota needs to be obtained from the competent authorities of the Chinese Government if any of the products or technologies described in this material is subject to the PRC Foreign Trade Law and is to be exported or taken out of the PRC.

CERTAIN APPLICATIONS USING SEMICONDUCTOR PRODUCTS MAY INVOLVE POTENTIAL RISKS OF DEATH, PERSONAL INJURY, OR SEVERE PROPERTY OR ENVIRONMENTAL DAMAGE ("CRITICAL APPLICATIONS"). CIRRUS PRODUCTS ARE NOT DESIGNED, AUTHORIZED OR WARRANTED FOR USE IN AIRCRAFT SYSTEMS, MILITARY APPLICATIONS, PRODUCTS SURGICALLY IMPLANTED INTO THE BODY, LIFE SUPPORT PRODUCTS OR OTHER CRITICAL APPLICATIONS (INCLUDING MEDICAL DEVICES, AIRCRAFT SYSTEMS OR COMPONENTS AND PERSONAL OR AUTOMOTIVE SAFETY OR SECURITY DEVICES). INCLUSION OF CIRRUS PRODUCTS IN SUCH APPLICATIONS IS UNDERSTOOD TO BE FULLY AT THE CUSTOMER'S RISK AND CIRRUS DISCLAIMS AND MAKES NO WARRANTY, EXPRESS, STATUTORY OR IMPLIED, INCLUDING THE IMPLIED WARRANTIES OF MERCHANTABILITY AND FITNESS FOR PARTICULAR PURPOSE, WITH REGARD TO ANY CIRRUS PRODUCT THAT IS USED IN SUCH A MANNER. IF THE CUSTOMER OR CUSTOMER'S CUSTOMER USES OR PERMITS THE USE OF CIRRUS PRODUCTS IN CRITICAL APPLICATIONS, CUSTOMER AGREES, BY SUCH USE, TO FULLY INDEMNIFY CIRRUS, ITS OFFICERS, DIRECTORS, EMPLOYEES, DISTRIBUTORS AND OTHER AGENTS FROM ANY AND ALL LIABILITY, INCLUDING ATTORNEYS' FEES AND COSTS, THAT MAY RESULT FROM OR ARISE IN CONNECTION WITH THESE USES.

Cirrus Logic, Cirrus, and the Cirrus Logic logo designs are trademarks of Cirrus Logic, Inc. All other brand and product names in this document may be trademarks or service marks of their respective owners.

I²C is a registered trademark of Philips Semiconductor. Purchase of I²C Components of Cirrus Logic, Inc., or one of its sublicensed Associated Companies conveys a license under the Philips I²C Patent Rights to use those components in a standard I²C system.

1. CDB4391A SYSTEM OVERVIEW

The CDB4391A evaluation board is an excellent means of quickly evaluating the CS4391A. The CS8414 digital audio interface receiver provides an easy interface to digital audio signal sources including the majority of digital audio test equipment. The evaluation board also allows the user to supply clocks and data through a 10-pin header for system development.

The CDB4391A schematic has been partitioned into 9 schematics shown in Figures 2 through 10. Each partitioned schematic is represented in the system diagram shown in Figure 1. Notice that the system diagram also includes the interconnections between the partitioned schematics.

2. CS4391A DIGITAL TO ANALOG CONVERTER

A description of the CS4391A is included in the CS4391A data sheet.

3. CS8414 DIGITAL AUDIO RECEIVER

The system receives and decodes the standard S/PDIF data format using a CS8414 Digital Audio Receiver, Figure 5. The outputs of the CS8414 include a serial bit clock, serial data, left-right clock (FSYNC), de-emphasis control and a 256 Fs master clock. The operation of the CS8414 and a discussion of the digital audio interface are included in the CS8414 data sheet.

During normal operation, the CS8414 operates in the Channel Status mode where the LED's display channel status information for the channel selected by the CSLR/FCK jumper. This allows the CS8414 to decode the de-emphasis bit from the digital audio interface for control of the CS4391A de-emphasis filter, when the CS4391A is in stand-alone mode.

When the Error Information Switch is activated, the CS8414 operates in the Error and Frequency information mode. The information displayed by the LED's can be decoded by consulting the CS8414 data sheet. It is likely that the de-emphasis control for the CS4391A will be erroneous and produce an incorrect audio output if the Error Information Switch is activated and the CS4391A is in the stand-alone mode with internal serial clock mode selected.

Encoded sample frequency information can be displayed provided a proper clock is being applied to the FCK pin of the CS8414. When an LED is lit, this indicates a "1" on the corresponding pin located on the CS8414. When an LED is off, this indicates a "0" on the corresponding pin. Neither the L nor R option of CSLR/FCK should be selected if the FCK pin is being driven by a clock signal.

The evaluation board has been designed such that the input can be either optical or coax, see Figure 6. However, both inputs cannot be driven simultaneously.

4. CS8414 DATA FORMAT

The CS8414 data format can be set with switches M0, M1, M2, and M3, as described in the CS8414 data sheet. The format selected must be compatible with the data format of the CS4391A, as shown in the CS4391A data sheet. Please note that the CS8414 does not support all the possible modes of the CS4391A and the Left-Justified Format for the CS8414 and the CS4391A have incompatible serial clocks, see Table 1. The default settings for M0-M3 on the evaluation board are given in Tables 3-4.

CS4391A CP Mode Format	CS4391A SA Mode Format	CS8414 Format
0	0	Unsupported
1	1	2
2	2	5
3	3	Unsupported
4	-	Unsupported
5	-	6

Table 1. CS8414 Supported Formats

5. INPUT/OUTPUT FOR CLOCKS AND DATA

The evaluation board has been designed to allow interfacing to external systems via the 10-pin header, J9. This header allows the evaluation board to accept externally generated clocks and data. The schematic for the clock/data I/O is shown in Figure 9. The 74HC243 transceiver functions as an I/O buffer where HRD1 through HRD6 determine if the transceiver operates as a transmitter or receiver. A transmit function is implemented with all jumpers, HRD1 through HDR6 in the 8414 position. LRCK, SDATA, and SCLK from the CS8414 will be outputs on J9. The transceiver operates as a receiver with HRD1 through HDR6 in the EXT_CLK position. MCLK, LRCK, SDATA and SCLK on J9 become inputs.

6. POWER SUPPLY CIRCUITRY

Power is supplied to the evaluation board by six binding posts (GND, +5V(J6), +5V(J1), VL, VCC and VEE), see Figure 10. The +5V(J6) input supplies power to the +5 volt digital circuitry (V+5, VD+5, VD-PC+5), while the VL input supplies power to the Voltage Level Converters and the CS4391A VL pin. +5V(J1) supplies power to the CS4391A. VCC and VEE supply power to the op-amp and can be +/-9 to +/-12 volts.

WARNING: Refer to the CS4391A data sheet for maximum allowable voltages levels. Operation outside of this range can cause permanent damage to the device.

7. GROUNDING AND POWER SUPPLY DECOUPLING

The CS4391A requires careful attention to power supply and grounding arrangements to optimize performance. Figure 10 details the power distribution used on this board. The decoupling capacitors are located as close to the CS4391A as possible. Extensive use of ground plane fill in the evaluation board yields large reductions in radiated noise.

8. CONTROL PORT SOFTWARE

The CDB4391A is shipped with Windows based software for interfacing with the CS4391A control port via the DB25 connector, P1. The software can be used to communicate with the CS4391A in either SPI® or I²C® mode; however, in SPI mode the CS4391A registers are write-only. Note: The CDB4391A must be configured for control port mode as shown in Table 4.

Further documentation for the software is available on the distribution diskette. The documentation is available in the plain text format file, README.TXT.

9. DSD OPERATION

The CDB4391A supports Direct Stream Digital (DSD) operation through the header for external clocks and data, J9. The CS4391A must be placed into the DSD mode and the jumpers HDR1 through HDR6 must be placed into the external clock positions.

CONNECTOR	INPUT/OUTPUT	SIGNAL PRESENT
+5V (J6)	Input	+ 5 Volt power
+5V (J1)	Input	+ 4.75 to + 5.25 Volt power for the CS4391A
V _L	Input	+ 1.8 to +5.5 digital interface voltage (Note that V _L should not exceed the voltage applied to the +5V J1 terminal)
V _{EE}	Input	-12 to -9V negative supply for the op-amp
V _{CC}	Input	+9 to +12V positive supply for the op-amp
GND	Input	Ground connection from power supply
Coax Input	Input	Digital audio interface input via coax
Optical Input	Input	Digital audio interface input via optical
J9	Input/Output	I/O for master, serial, left/right clocks and serial data
Parallel Port	Input/Output	Parallel connection to PC for SPI / I ² C control port signals
HDR9	Input/Output	I/O for SPI / I ² C control port signals
AOUTA	Output	Channel A line level analog output
AOUTB	Output	Channel B line level analog output

Table 2. System Connections

JUMPER / SWITCH	PURPOSE	POSITION	FUNCTION SELECTED
SW1 - M0	CS8414 mode selection	*LO	See CS8414 datasheet for details
SW1 - M1	CS8414 mode selection	*HI	See CS8414 datasheet for details
SW1 - M2	CS8414 mode selection	*LO	See CS8414 datasheet for details
SW1 - M3	CS8414 mode selection	*LO	See CS8414 datasheet for details
SW1 - CSLR/FCK	Selects channel for CS8414 channel status information	*LO	See CS8414 datasheet for details
HDR8	External mute for AOUTA	*ON OFF	Mute Enabled Mute Disabled
HDR7	External mute for AOUTB	*ON OFF	Mute Enabled Mute Disabled
ENCTRL	Enables / Disables parallel port	ENABLE *DISABLE	Invalid for Stand-Alone Mode Disables parallel port
M0/AD0/CS	CS4391A Mode Selection	*HI LO	See CS4391A data sheet for details
M1/SDA/CDIN	CS4391A Mode Selection	HI *LO	See CS4391A data sheet for details
M2/SCL/CCLK	CS4391A Mode Selection	GND HI *DEM	See CS4391A data sheet for details Allows the CS8414 to control de-emphasis
M3	CS4391A Mode Selection	HI *LO	See CS4391A data sheet for details
HDR1 to HDR6	Selects source of clocks and audio data	*8414 EXT	Selects CS8414 as source Digital I/O header becomes source

Table 3. CDB4391A Jumper and Switch settings - STAND-ALONE MODE

*Settings for Stand-Alone mode

Notes: The CDB4391A evaluation board is shipped from the factory configured for Control Port mode.

JUMPER	PURPOSE	POSITION	FUNCTION SELECTED
SW1 - M0	CS8414 mode selection	*LO	See CS8414 datasheet for details
SW1 - M1	CS8414 mode selection	*HI	See CS8414 datasheet for details
SW1 - M2	CS8414 mode selection	*LO	See CS8414 datasheet for details
SW1 - M3	CS8414 mode selection	*LO	See CS8414 datasheet for details
SW1 - CSLR/FCK	Selects channel for CS8414 channel status information	*LO	See CS8414 datasheet for details
HDR8	External mute for AOUTA	*ON OFF	Mute Enabled Mute Disabled
HDR7	External mute for AOUTB	*ON OFF	Mute Enabled Mute Disabled
ENCTRL	Enables / Disables parallel port	*ENABLE DISABLE	Enables parallel port Invalid for Control Port mode
M0/AD0/CS	AD0/CS	*HI LO	“Don’t Care” for Control Port mode
M1/SDA/CDIN	SDA/CDIN Pull-Up	*HI LO	SDA/CDIN pulled high Invalid for Control Port mode
M2/SCL/CCLK	SCL/CCLK Pull-Up	GND *HI DEM	Invalid for Control Port mode SCL/CCLK pulled high Invalid for Control Port mode
M3	Not Functional	HI *LO	Must be low for Control Port mode
HDR1 to HDR6	Selects source of clocks and audio data	*8414 EXT	Selects CS8414 as source Digital I/O header becomes source

Table 4. CDB4391A Jumper and Switch settings - CONTROL PORT MODE

*Settings for Control Port mode

Notes: The CDB4391A evaluation board is shipped from the factory configured for Control Port mode.

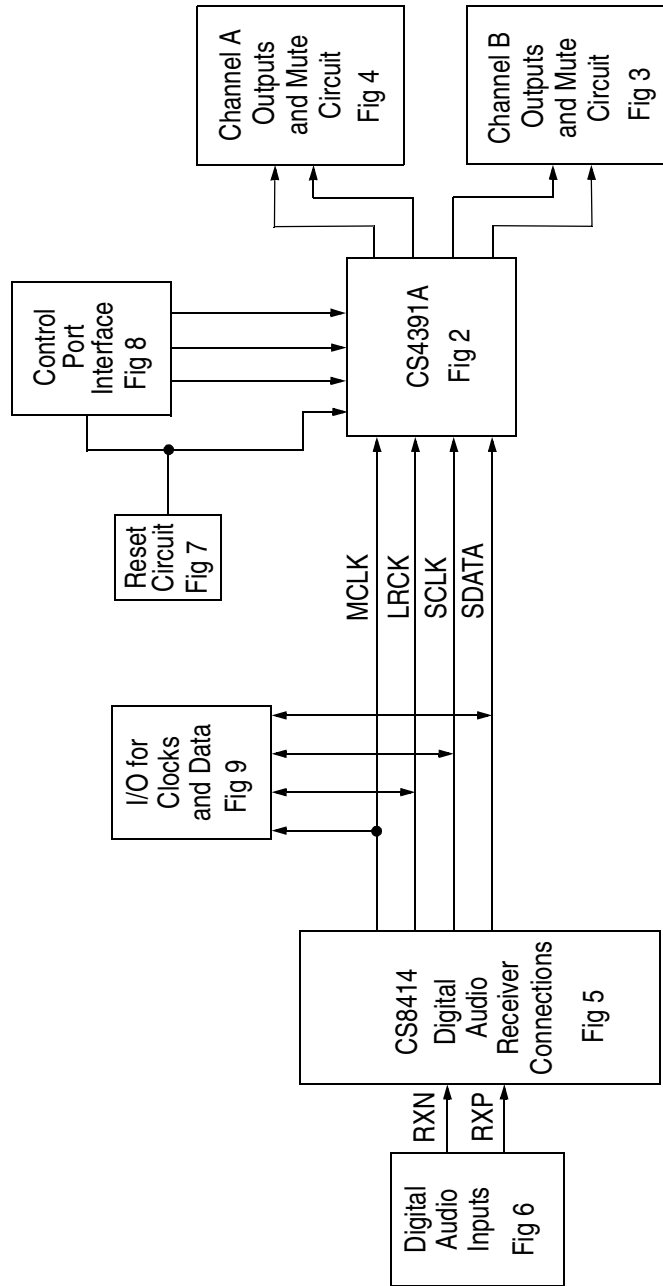
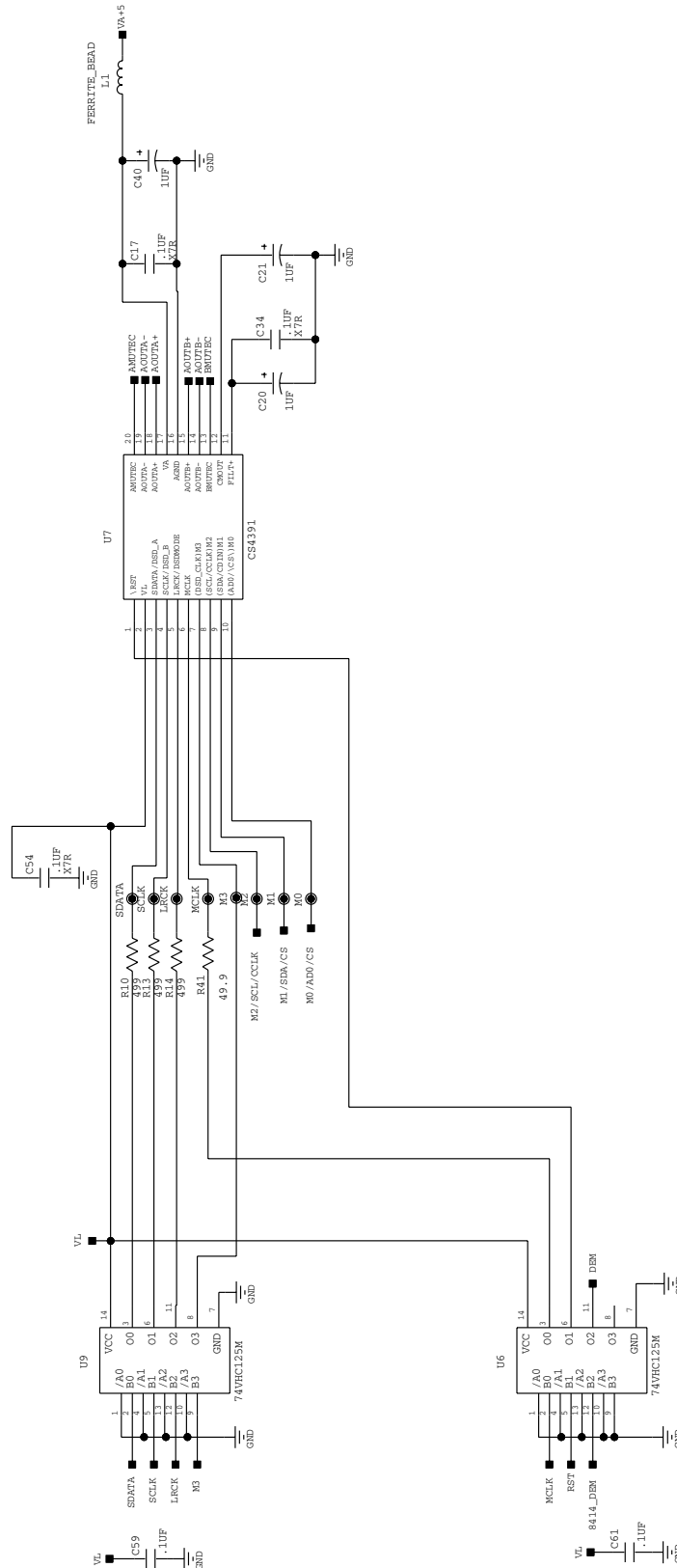


Figure 1. System Block Diagram and Signal Flow


Figure 2. CS4391A and Level Shift

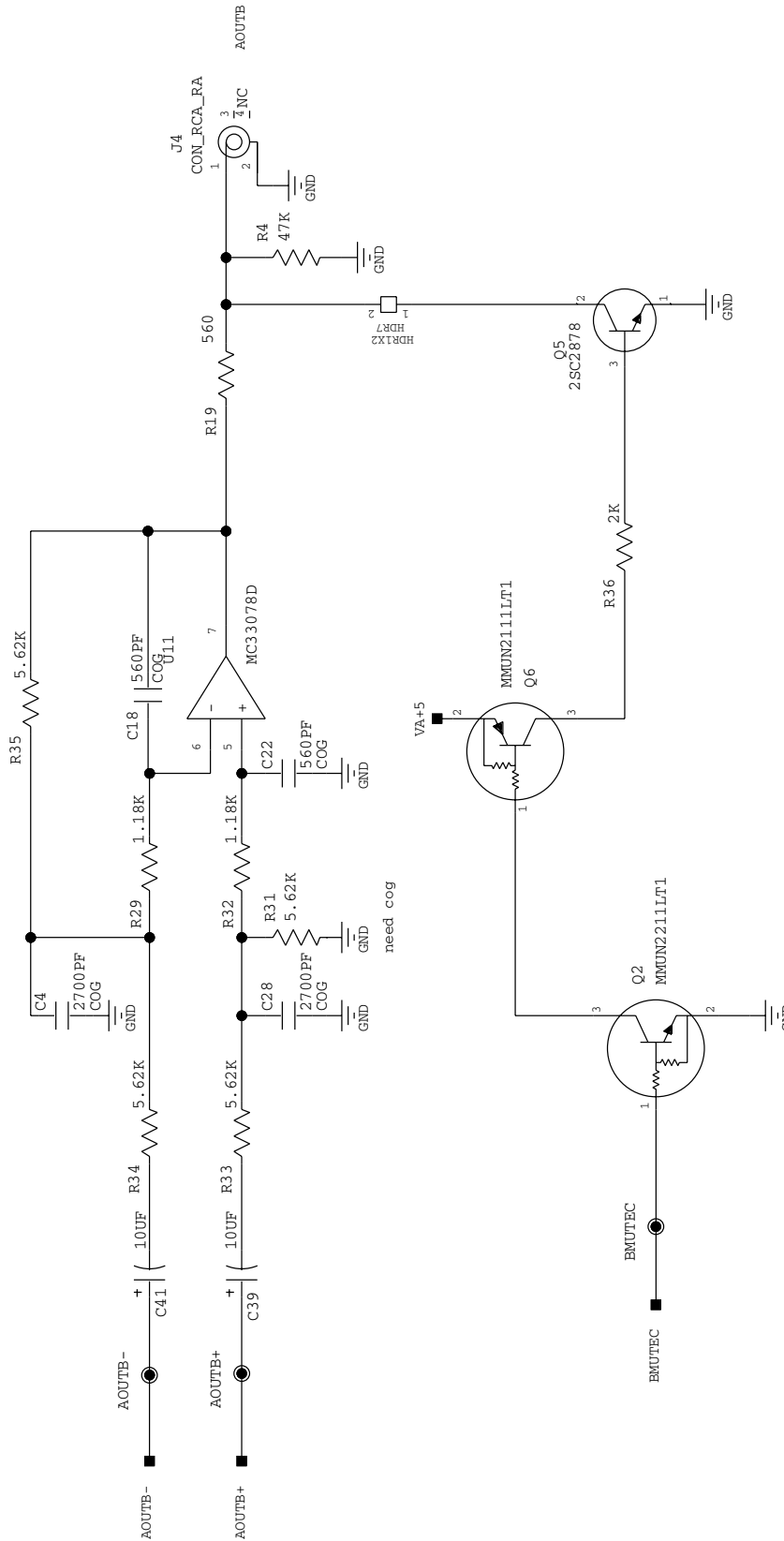


Figure 3. Channel B Audio Output and Mute Circuit

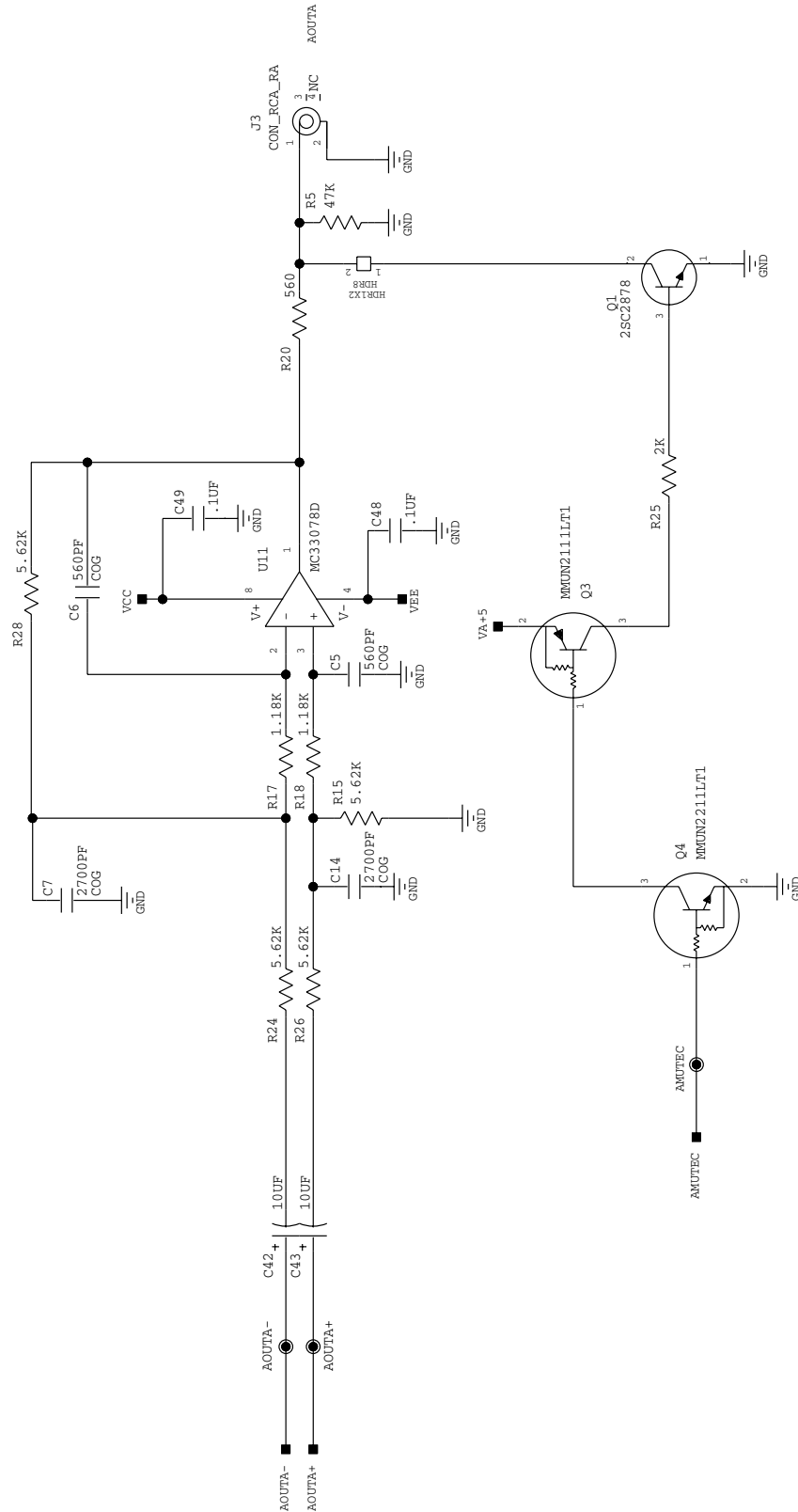
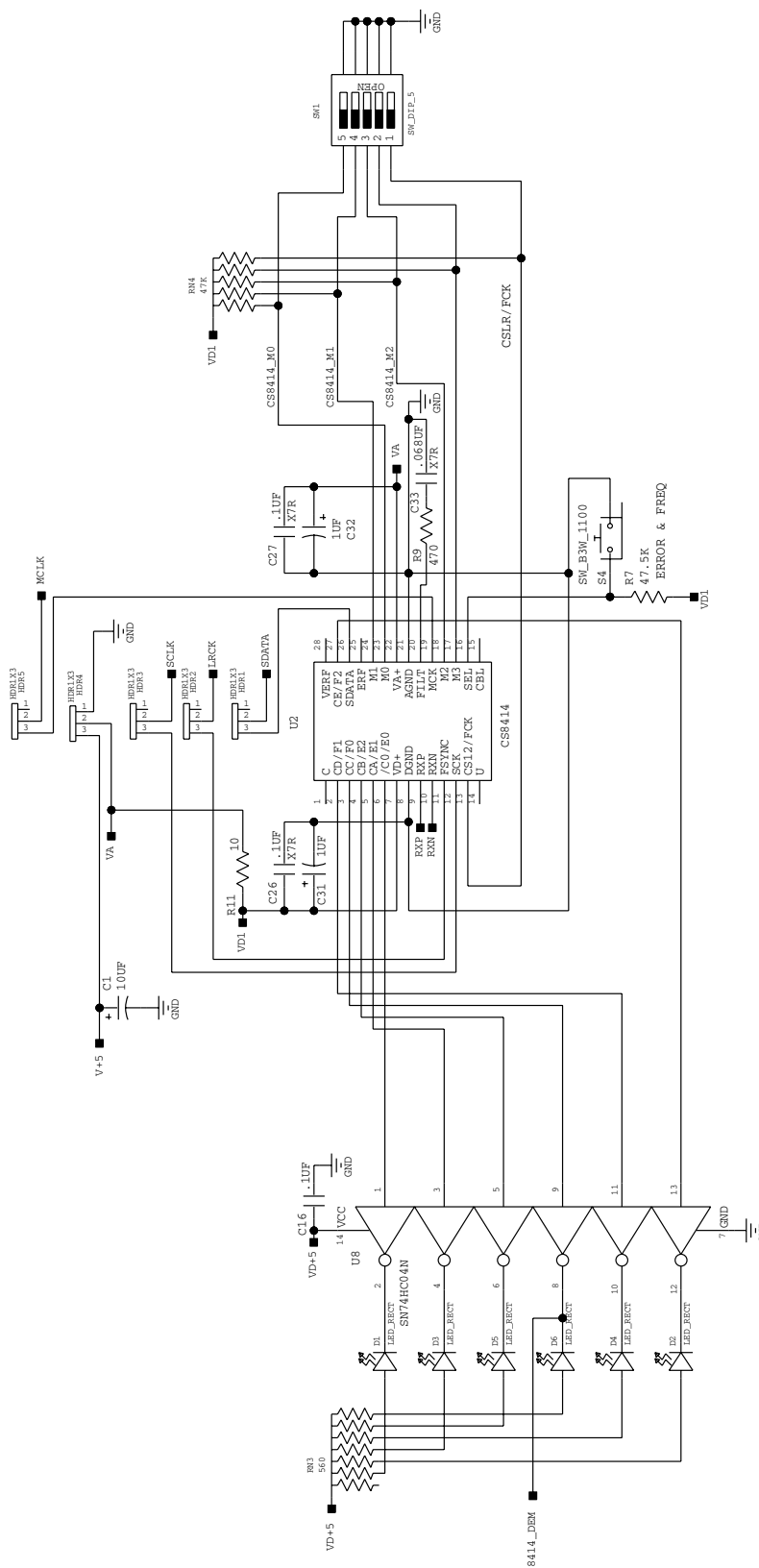


Figure 4. Channel A Audio Output and Mute Circuit


Figure 5. CS8414 Digital Audio Receiver

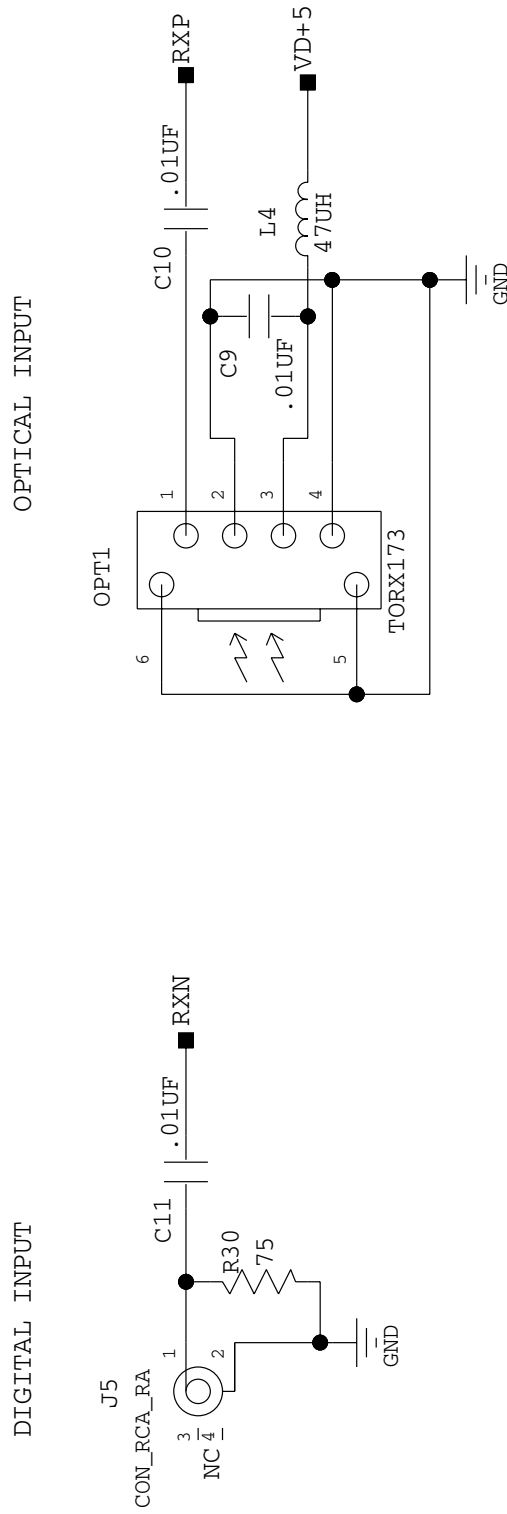


Figure 6. Digital Audio Inputs

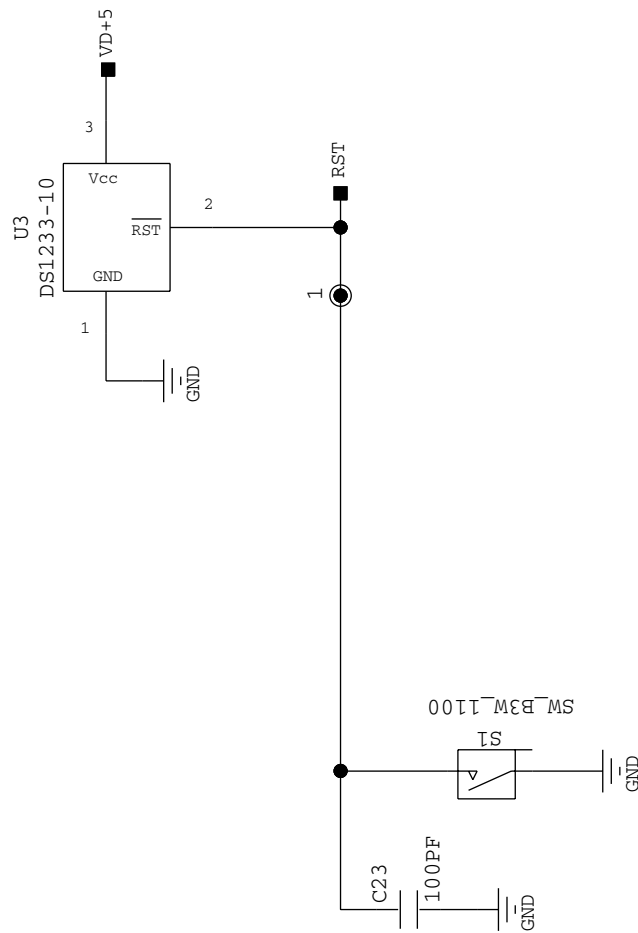
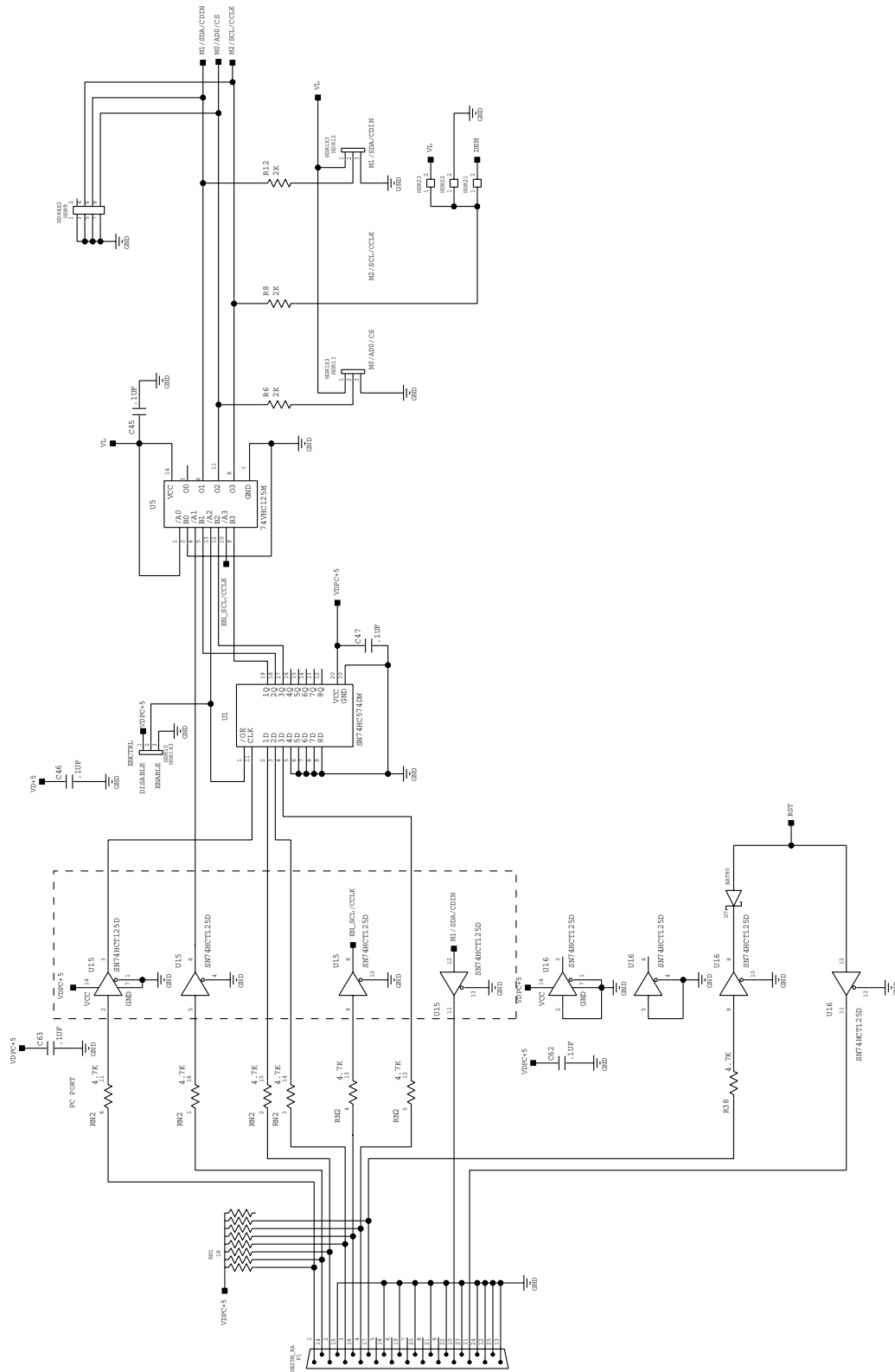
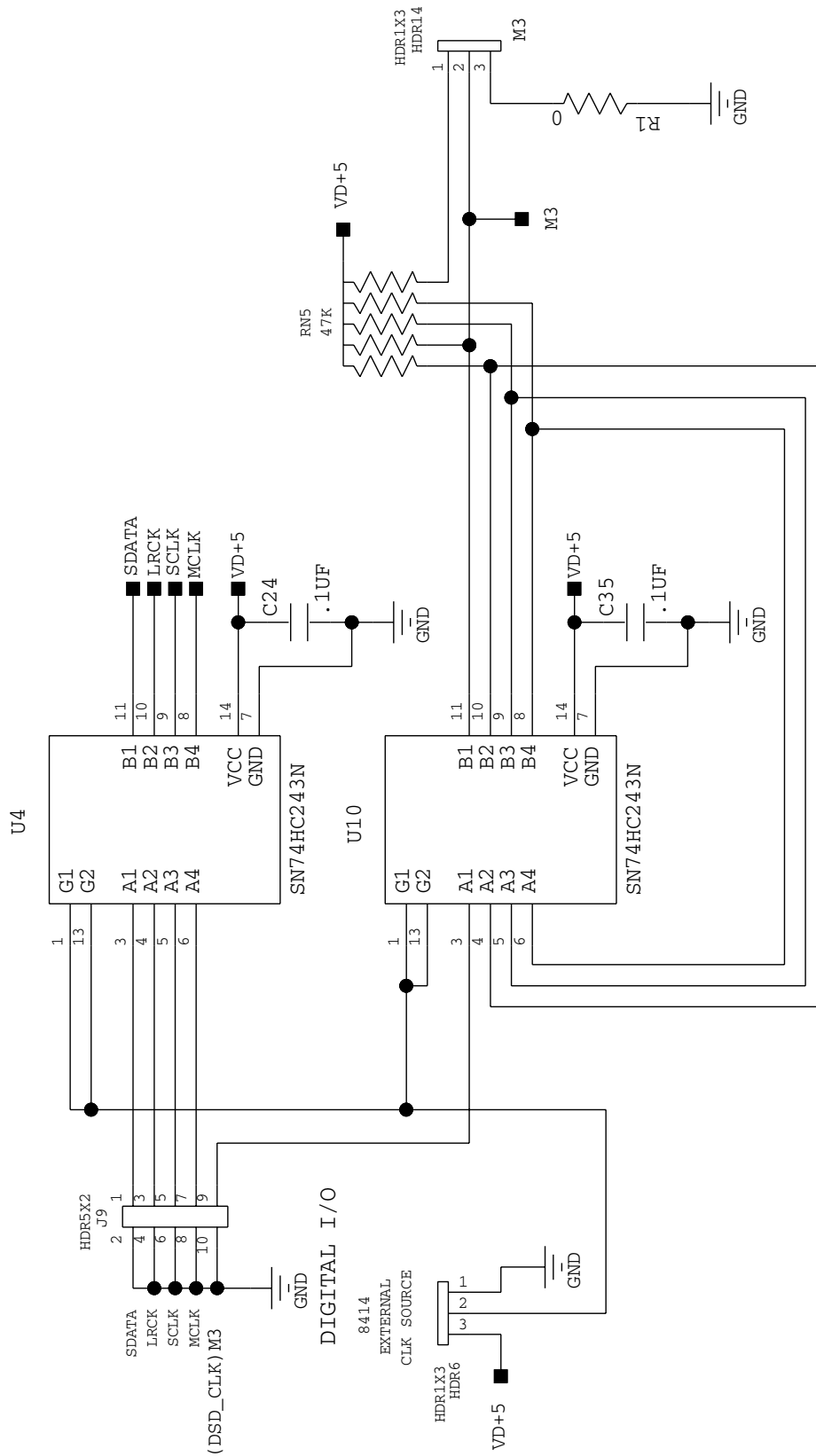
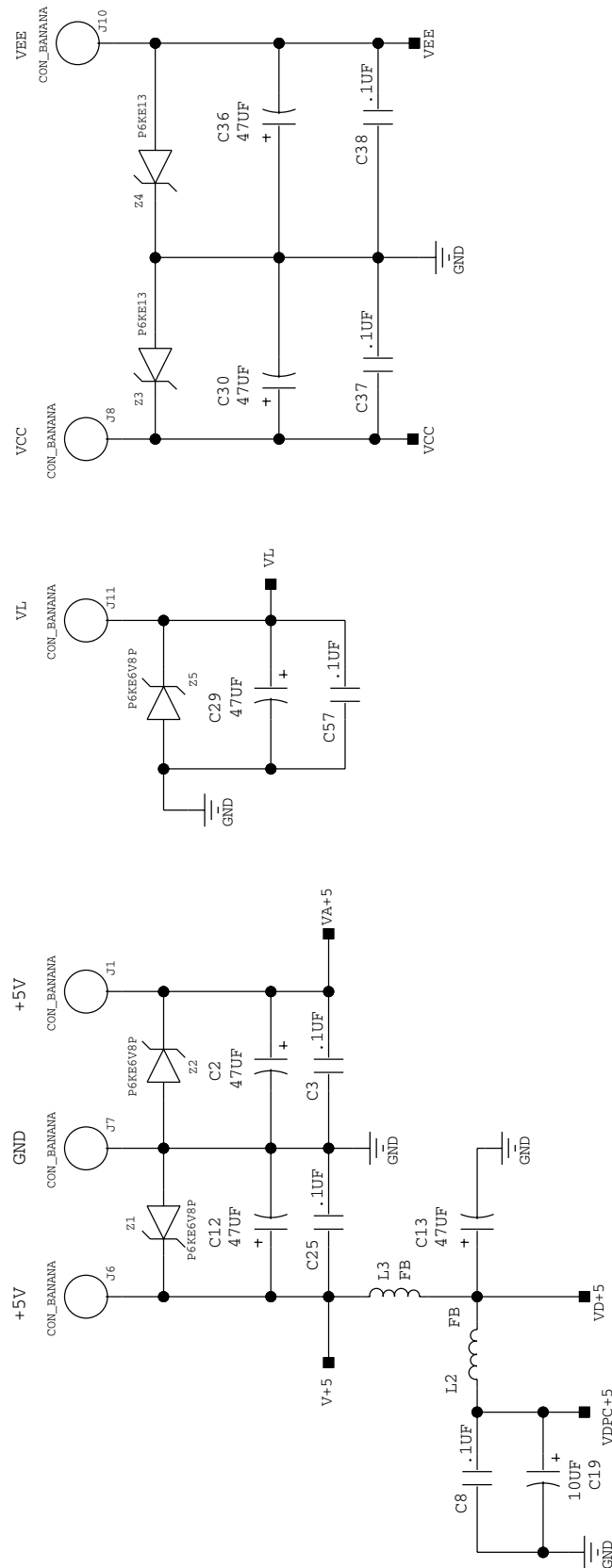


Figure 7. Reset Circuit


Figure 8. Control Port Interface


Figure 9. I/O for Clocks and Data


Figure 10. Power Supply

CRYSTAL SEMICONDUCTOR
 CS4391 Engineering Eval Bd
 CDB4391 RevB.0

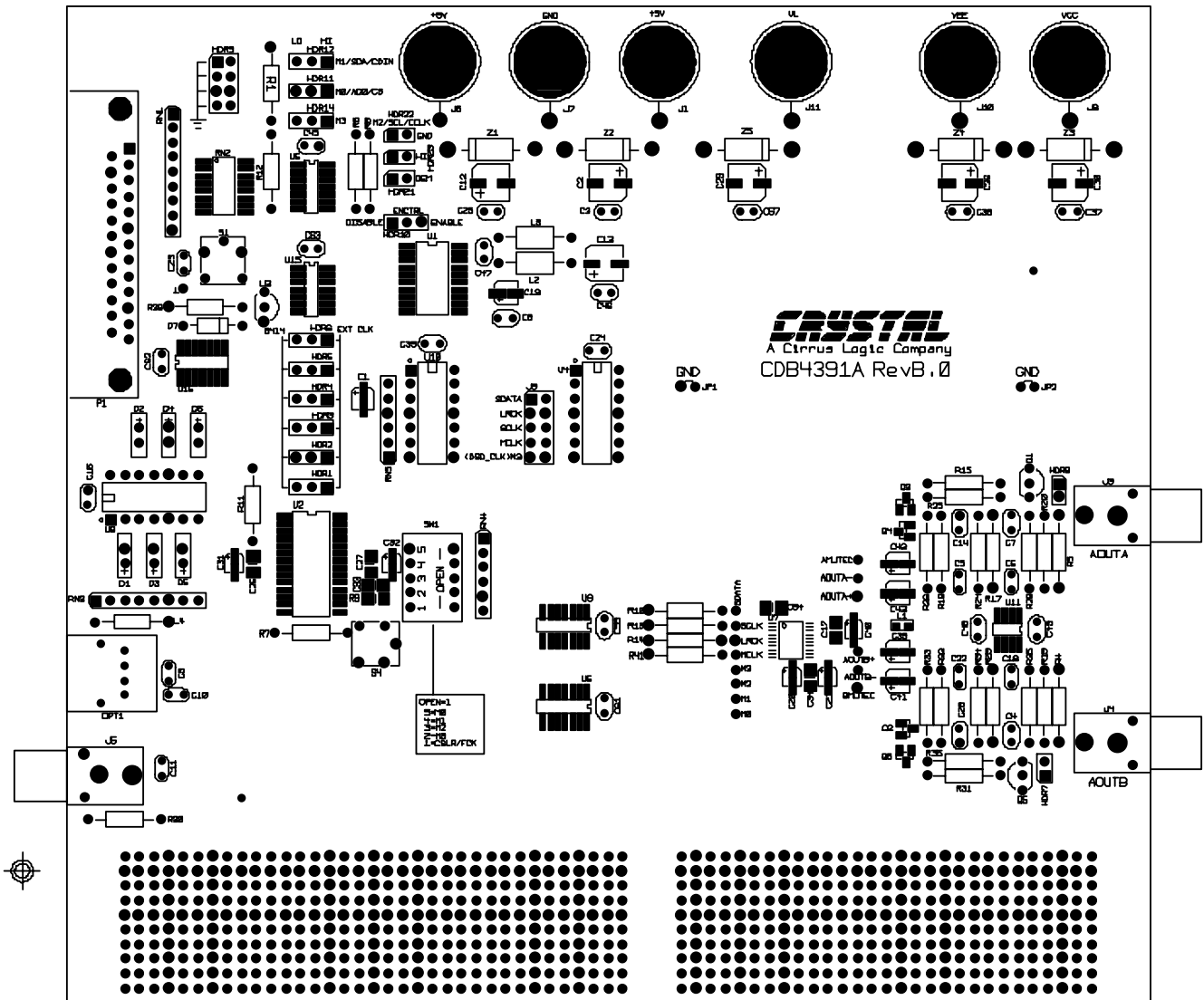
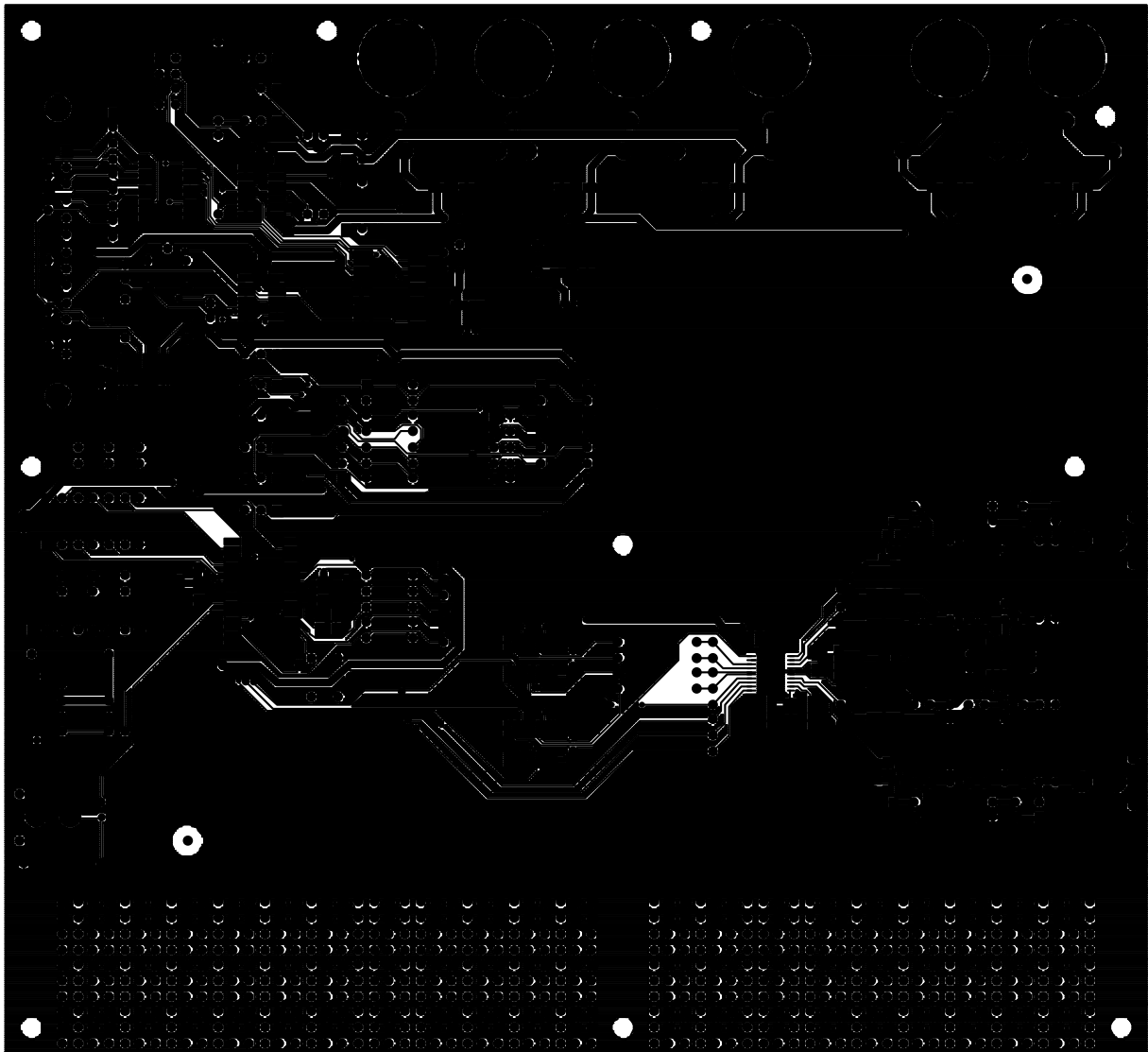


Figure 11. Silkscreen Top

CRYSTAL SEMICONDUCTOR
CS4391 Engineering Eval Bd
CDB4391 RevB.0



TOP SIDE

Figure 12. Top Side

CRYSTAL SEMICONDUCTOR
CS4391 Engineering Eval Bd
CDB4391 RevB.0

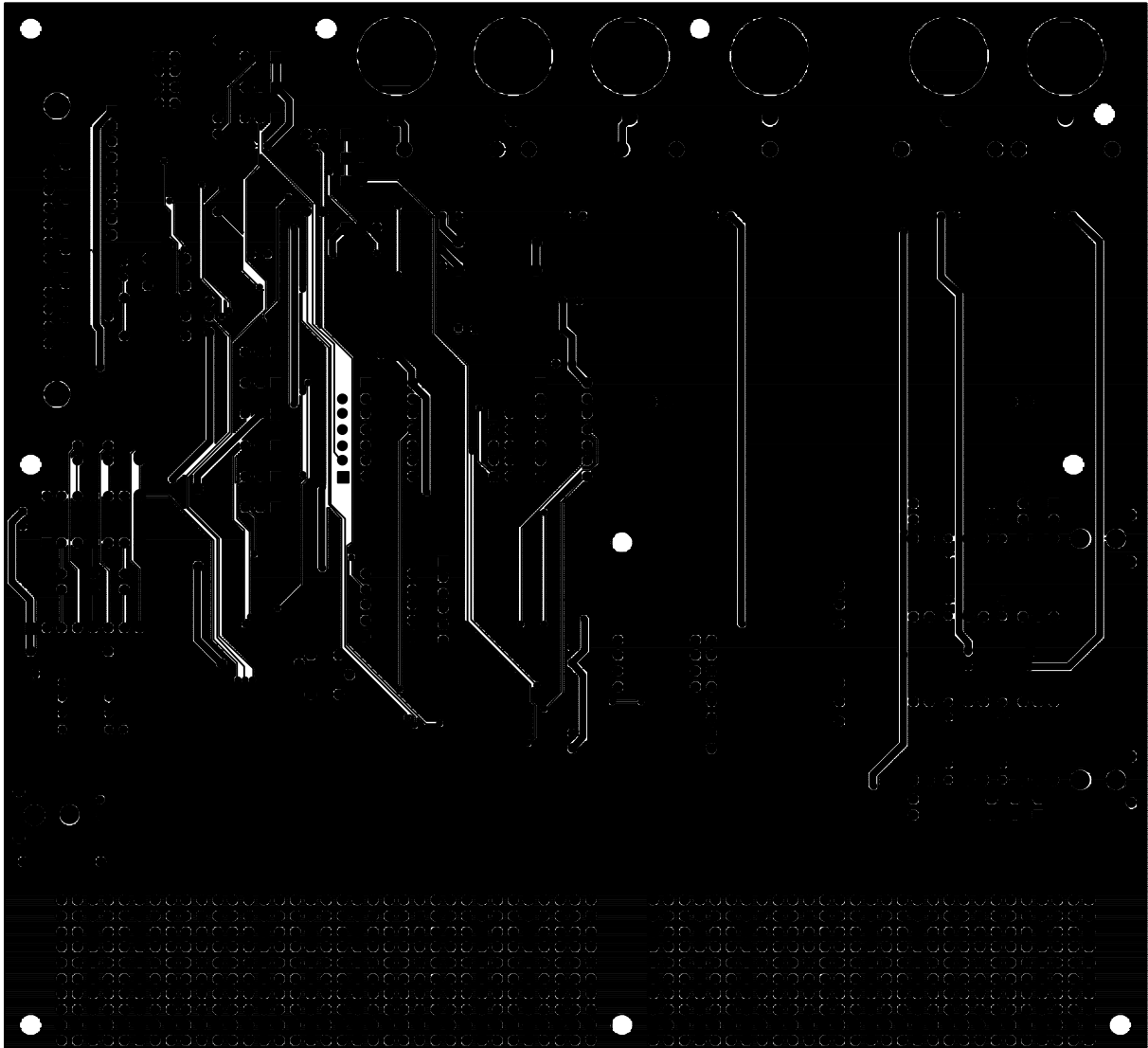


Figure 13. Bottom Side

10. PACKING LIST FOR CDB4391A

Inspect the Contents of the package and confirm that the following contents are included:

- 1) CDB4391A
- 2) CDB4391A data sheet
- 3) CS4391A data sheet
- 4) 3.5 inch floppy disk with the Windows based CDB4391A Graphical User Interface
- 5) 25-pin RS-232 cable

Item	Revision
CDB4391A	B
CS4391A-KZ	B
CDB4391A data sheet	DS600DB1
CS4391A Data sheet	DS600PP2
3.5 inch floppy disk with windows based graphical user interface	1.0
25-pin RS-232 cable	

• **Notes** •



CIRRUS LOGIC[®]