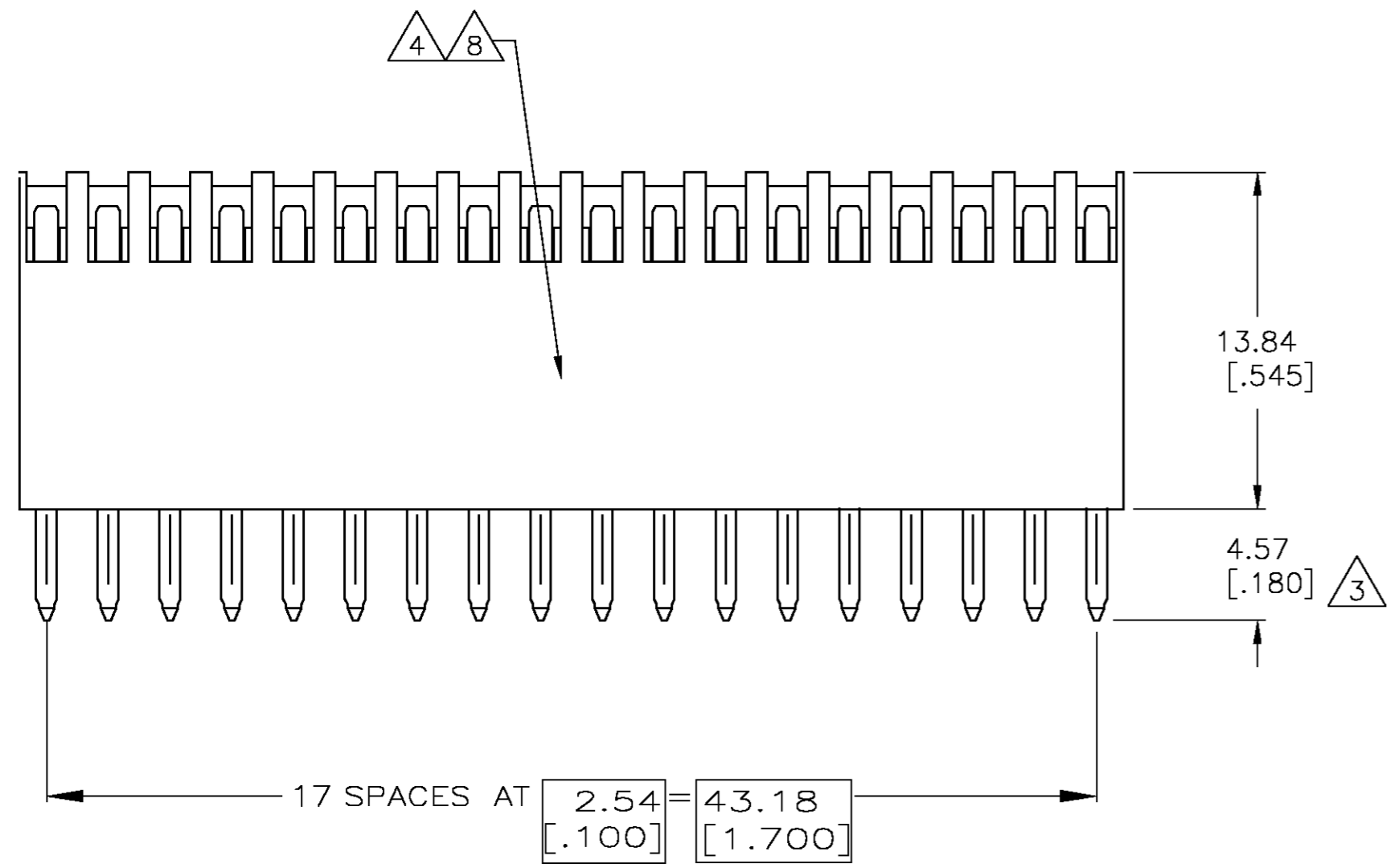
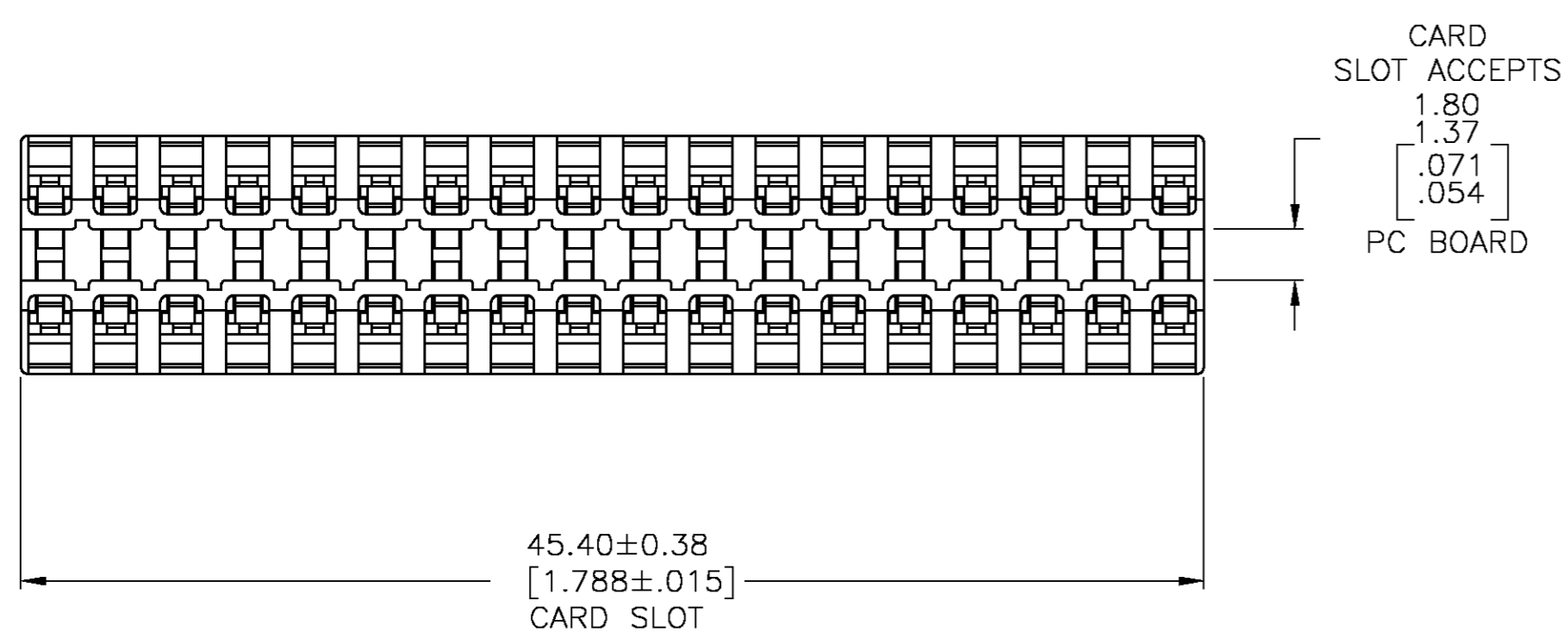


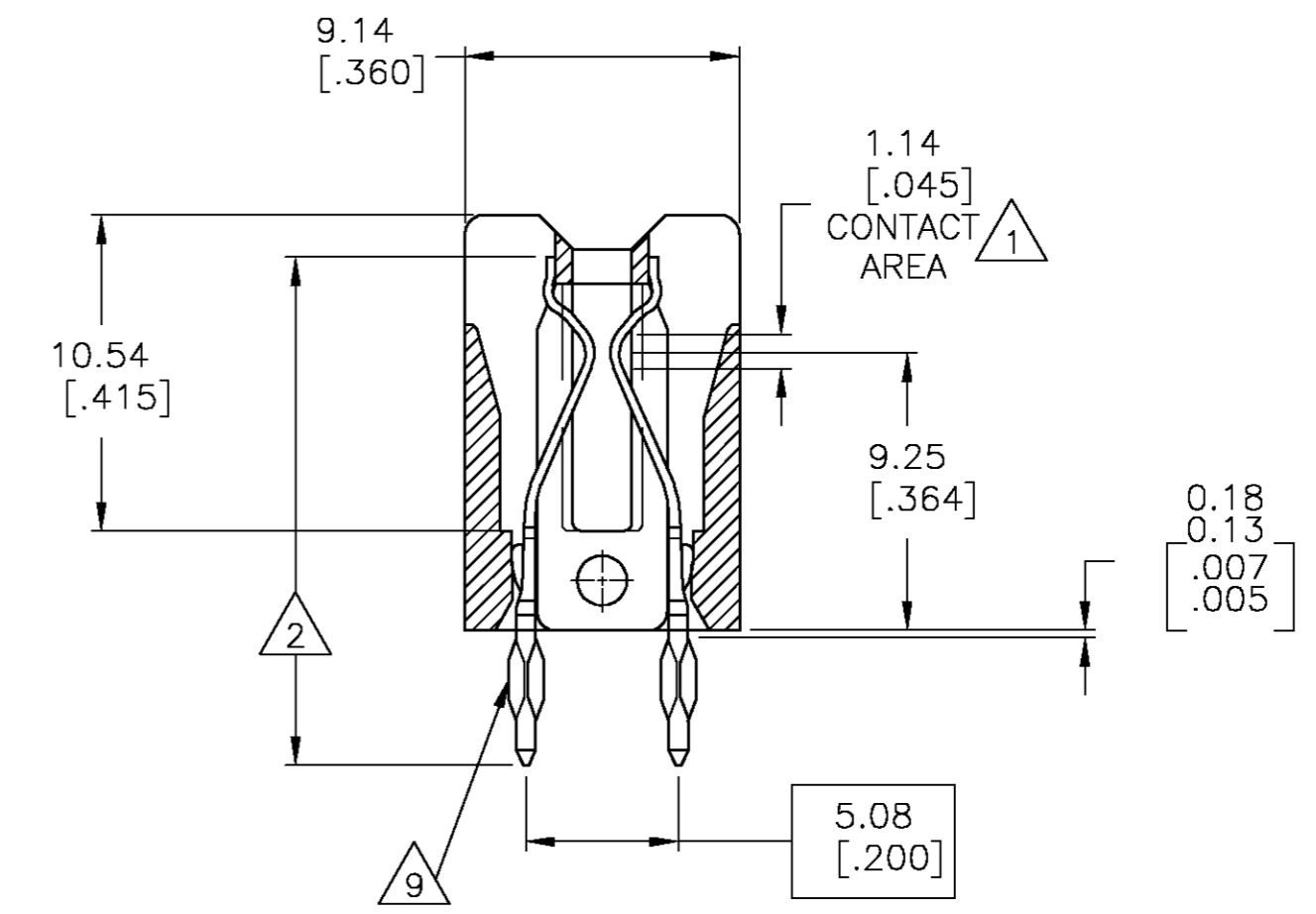
THIS DRAWING IS UNPUBLISHED. RELEASED FOR PUBLICATION
 © COPYRIGHT BY TYCO ELECTRONICS CORPORATION. ALL RIGHTS RESERVED.

| LOC | | DIST | | REVISIONS | | | |
|-----|----|------|-----|-------------------------|---------|-----|------|
| AD | 00 | P | LTR | DESCRIPTION | DATE | DWN | APVD |
| | | 0 | | REV PER EC 0G3C-0019-04 | 17FEB04 | MB | MM |



- ① GOLD PLATE .00076 [.000030] MIN THICK.
- ② NICKEL PL .00127 [.000050] MIN THK PER QQ-N-290
- ③ SOLDER PL .00254 [.000100] MIN THK
- ④ STAMPED P/N & DATE CODE.
- 5. OPTIONAL: KEYING PLUG FOR INTERCONTACT KEYING IS 118982-1
- 6. OPTIONAL: CARD GUIDE (BASE NO 117169)
- ⑦ HOUSING: VALOX 420 SEC BLACK
 CONTACT: PHOSPHOR BRONZE
- ⑧ WORD "MEXICO" CAN BE SUBSTITUTED ONLY WHERE PART SIZE PROHIBITS STAMPING "ASSY IN MEXICO", INK PER 115-9009, APPROX WHERE SHOWN, SIDE OPTIONAL.
- ⑨ ACTION PIN REQUIRES 2.13 [.084] MIN THK PC BOARD.

| REQUIRED HOLE DIAMETER TOLERANCES FOR COMPLIANT SECTION | | | | | | | |
|---|----------------------|-----------------------|-----------------------|-----------------------|-------------------------|-------------------------|-------------|
| REQ'D DRILL SIZE | HOLE DIA ±.03 [.001] | PLATING THICKNESS | | HOLE DIAMETER | | COPPER HARDNESS (KNOOP) | PAD DIA MIN |
| | | COPPER | TIN/LEAD | AFTER PLATING | AFTER REFLOW | | |
| 1.15mm | 1.15 [.0453] | 0.03-0.08 [.001-.003] | 0.008 MIN [.0003] MIN | 0.94-1.09 [.037-.043] | 0.914-1.09 [.0036-.043] | 150 MAX | 1.57 [.062] |
| 1.15mm | 1.15 [.0453] | NOT PLATED THRU | | | | | 1.65 [.065] |



| | |
|------|-------------|
| 17 | 678050-1 |
| POSN | PART NUMBER |

| | | | | | |
|--|--|-----------------------|---|---|---------------------|
| THIS DRAWING IS A CONTROLLED DOCUMENT. | | DWN M.BINNER 17FEB04 | tyco Electronics | Tyco Electronics Corporation Harrisburg, Pa 17105-3608 | |
| DIMENSIONS: mm [INCHES] | | CHK M.MILLER 17FEB04 | | NAME | |
| TOLERANCES UNLESS OTHERWISE SPECIFIED: | | APVD M.MILLER 17FEB04 | ASSEMBLY, AMP PACE, .100 x .200 CL, 0-0, 18 DUAL | | |
| 0 PLC ± - | | PRODUCT SPEC | SIZE A2 | CAGE CODE 00779 | DRAWING NO C=678050 |
| 1 PLC ± - | | APPLICATION SPEC | RESTRICTED TO | | |
| 2 PLC ± .02 | | WEIGHT - | SCALE 4:1 SHEET 1 OF 1 REV 0 | | |
| 3 PLC ± .005 | | CUSTOMER DRAWING | | | |
| 4 PLC ± .0005 | | | | | |
| ANGLES ± - | | | | | |
| FINISH ① ② ③ | | | | | |