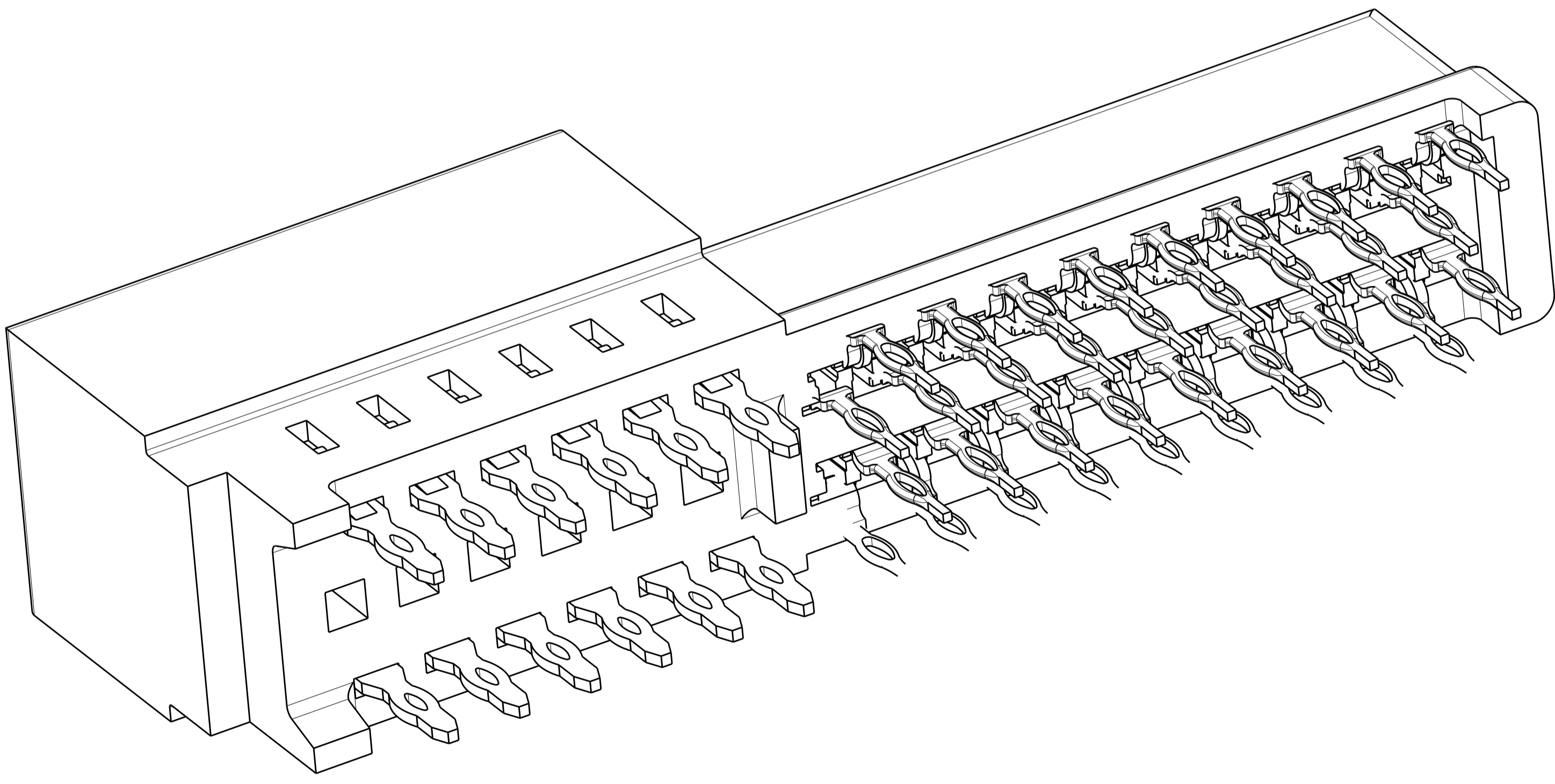
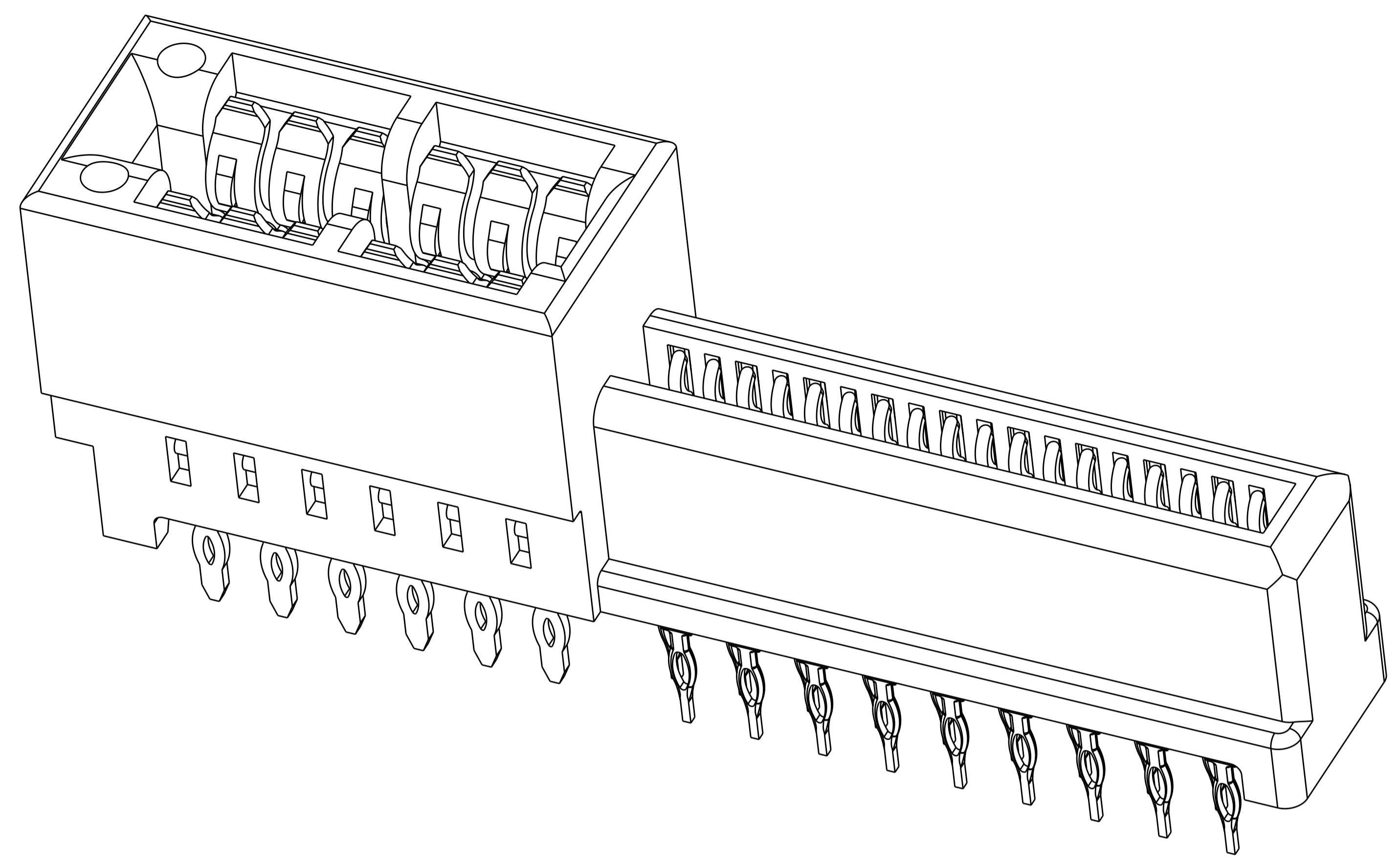


LOC		DIST		REVISIONS			
AA	00	P	LTN	DESCRIPTION	DATE	DWN	APVD
		A		INITIAL RELEASED	27FEB2013	AY	SZ
		A1		REV PER ECR-13-007783	13MAY2013	AY	SZ

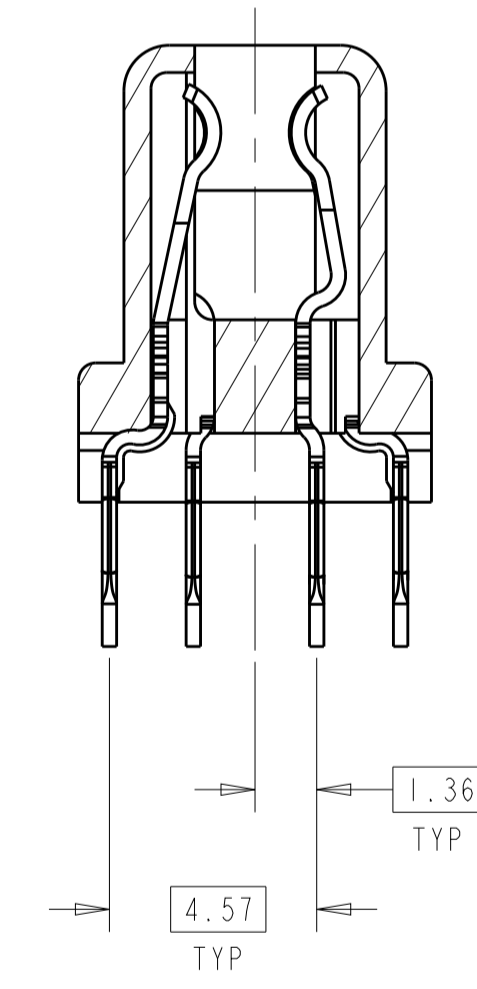
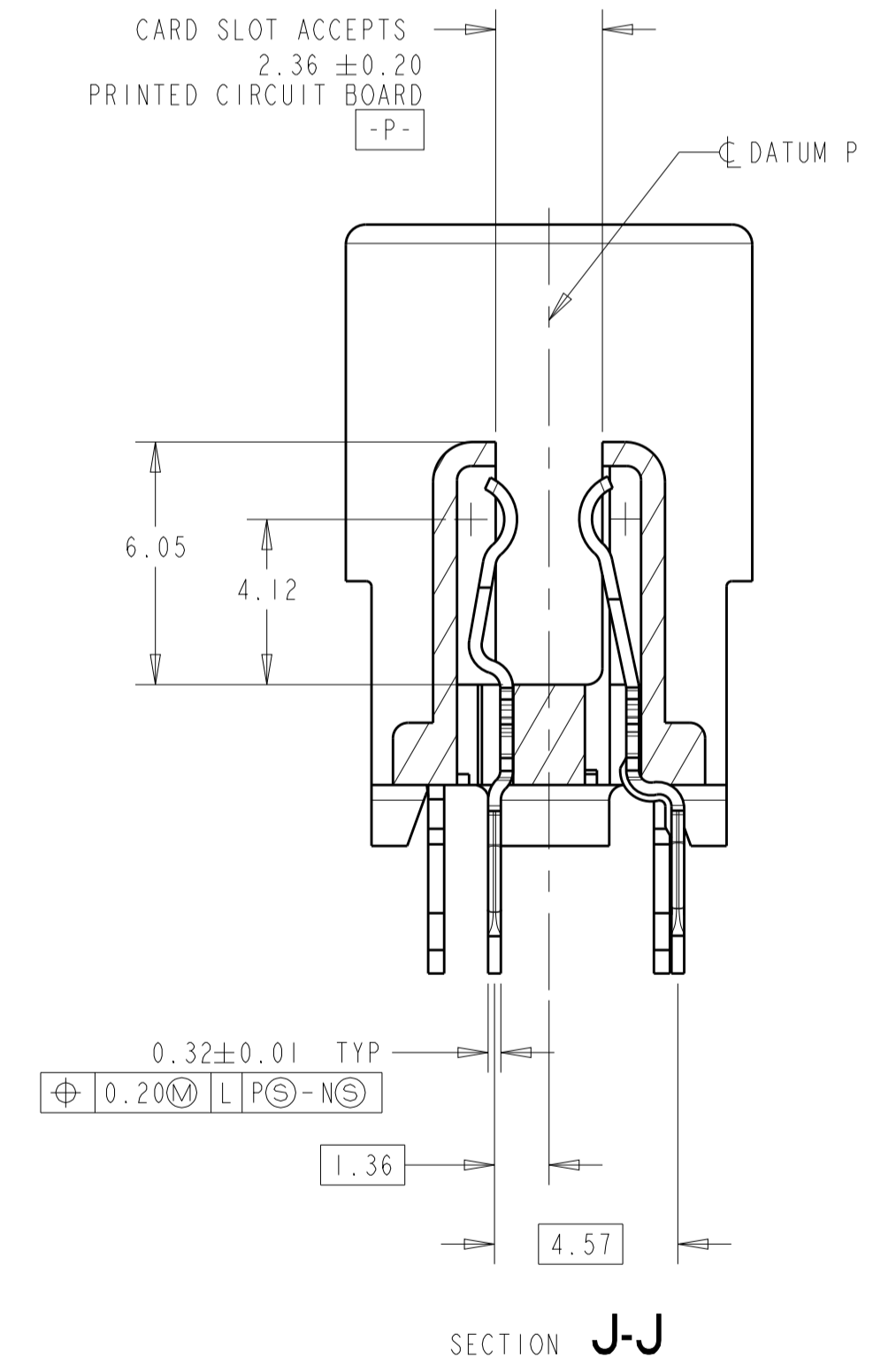
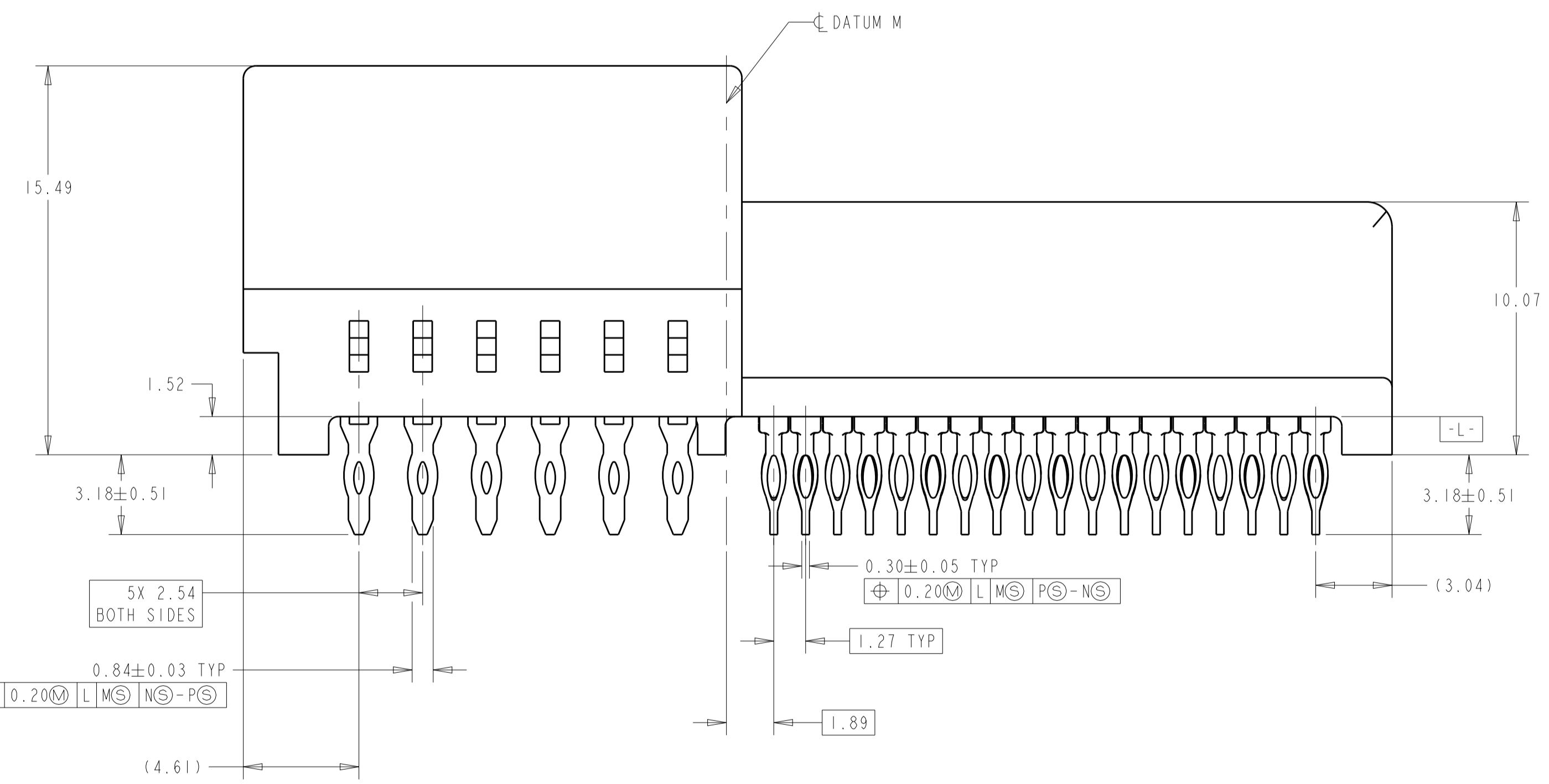
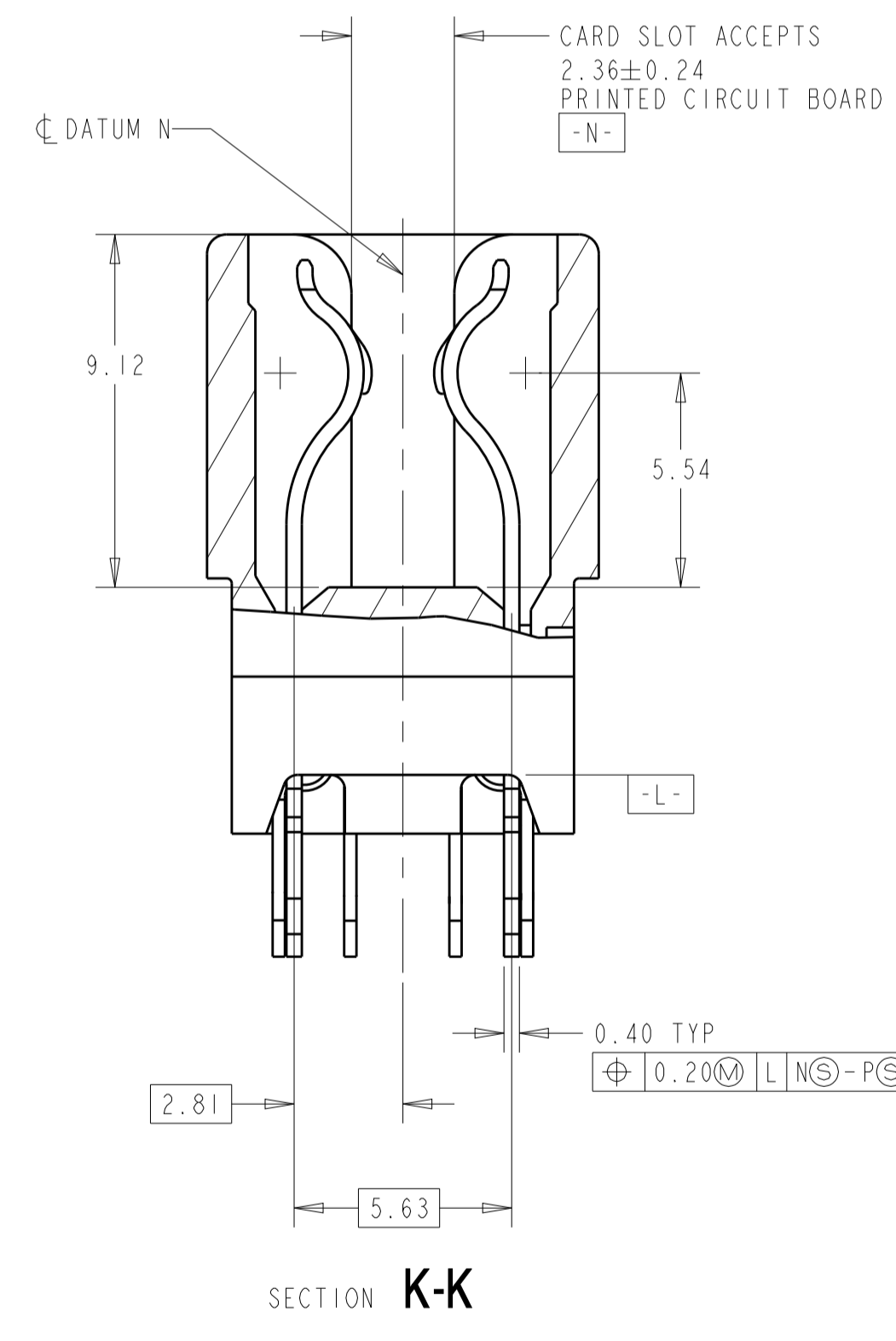
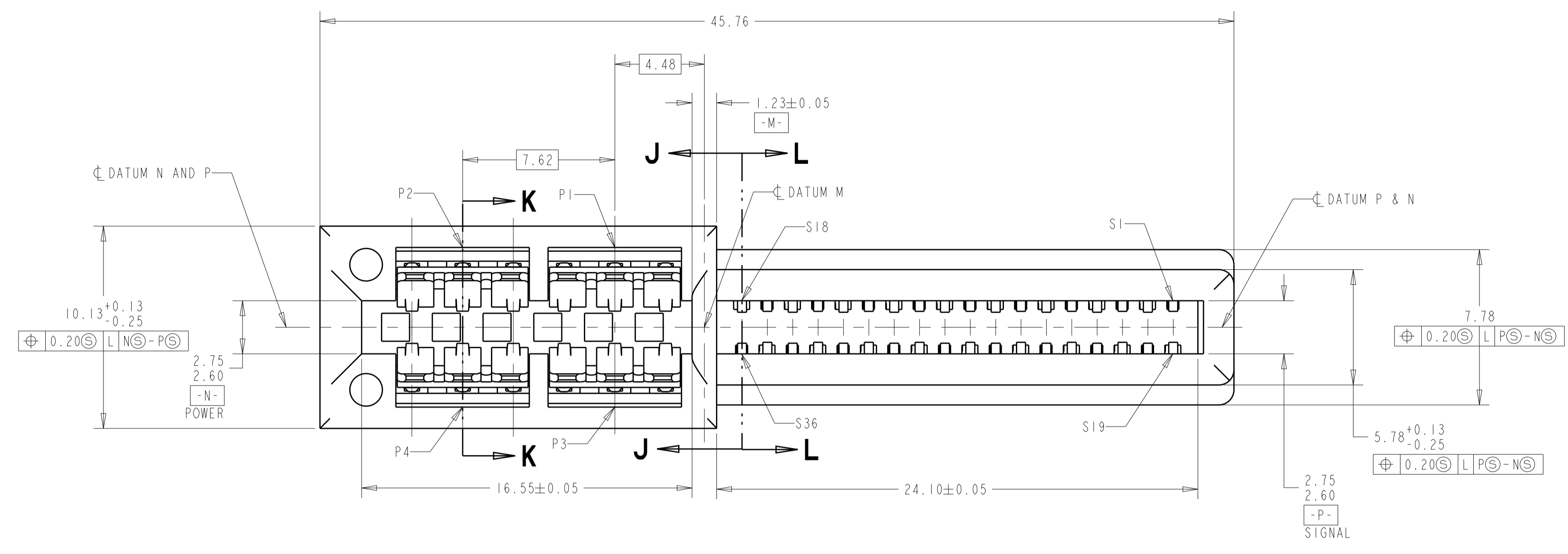


1. HOUSING: GLASS FILLED POLYESTER, COLOR - BLACK, UL94V-0 @ 1.50mm MIN. THICKNESS
 CONTACT: HIGH CONDUCTIVITY COPPER ALLOY
- (A1) 2. FINISH:
 CONTACTS - GOLD PLATE 0.76µm MIN THK IN MATING AREA
 OVER NICKEL 1.27µm MIN THK.
 SOLDER TAILS - MATTE TIN PLATE 1.27µm MIN THK.
 OVER NICKEL 1.27µm MIN THK.
3. DIMENSION SPECIFIED BY CUSTOMER
4. NO SHARP EDGES PERMITTED
5. FOR INSERTION INTO PCB USE TE PRESS FIT TOOL PART NUMBER 2063547-1
6. PRODUCT SPECIFICATION 108-1548 APPLIES TO 36 CHAMP .050 SERIES SIGNAL CONTACTS. PRODUCT SPECIFICATION 108-2202 APPLIES TO 4 SEC II POWER CONTACTS.
7. APPLICATION SPECIFICATION 114-6061 APPLIES TO CHAMP .050 SERIES SIGNAL CONTACTS. APPLICATION SPECIFICATION 114-13018 APPLIES TO 4 SEC II POWER CONTACTS.

2204061-2
 PART NO.

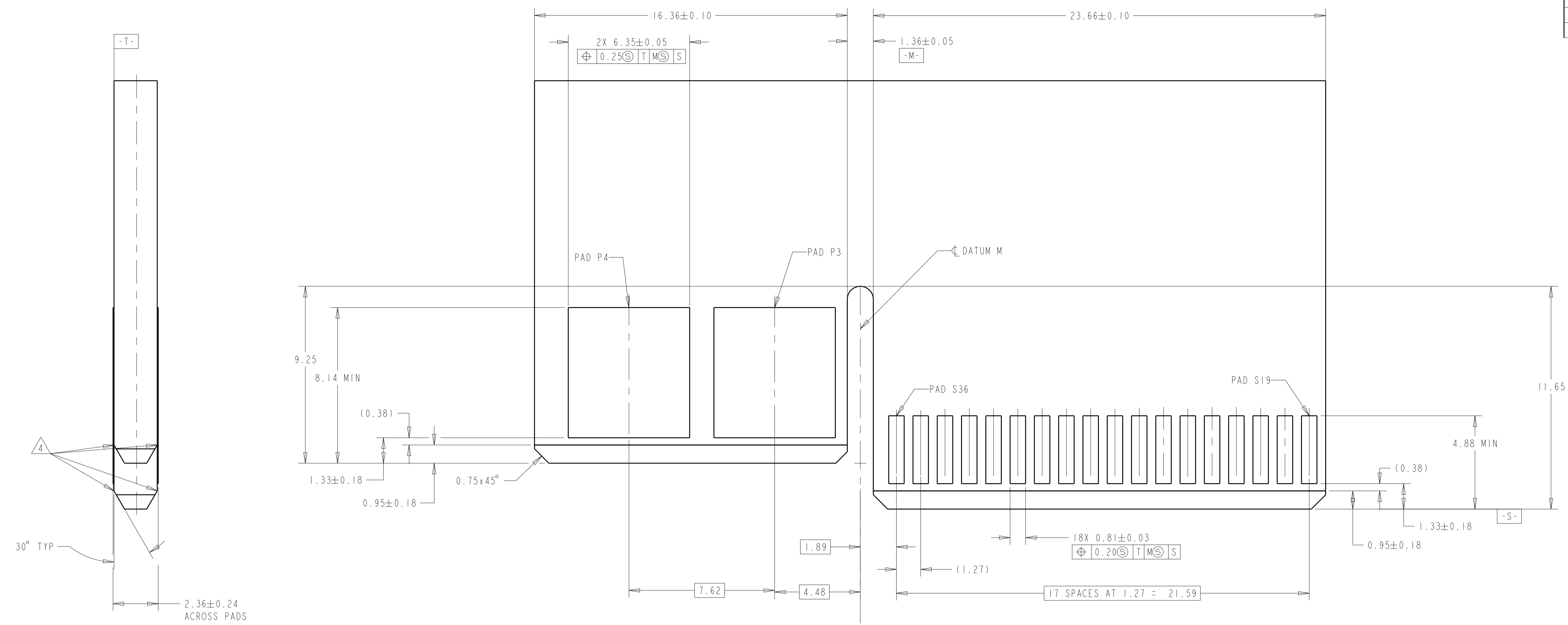
THIS DRAWING IS A CONTROLLED DOCUMENT.		DWN L.A.MAYER 28MAY2008	TE Connectivity NAME: CONNECTOR ASSEMBLY, SEC II POWER, 4 POWER AND 36 SIGNAL, PRESS FIT
DIMENSIONS:		CHK A.FRANZIUM 28MAY2008	
TOLERANCES UNLESS OTHERWISE SPECIFIED:		APVD S.FLICKINGER 28MAY2008	
mm		PRODUCT SPEC	
0 PLC ±	1 PLC ±	APPLICATION SPEC	SIZE A1
2 PLC ±0.13	3 PLC ±	ANGLES ±1°	CAGE CODE 00779
4 PLC ±	FINISH SEE NOTE 1	WEIGHT	DRAWING NO. C=2204061
MATERIAL SEE NOTE 1	FINISH SEE NOTE 1	CUSTOMER DRAWING	RESTRICTED TO
SCALE 3:1			SHEET 1 OF 3
REV A1			

LOC		DIST		REVISIONS			
P	LTN	DESCRIPTION	DATE	DMN	APVD		
-	-	SEE SHEET 1	-	-	-	-	-

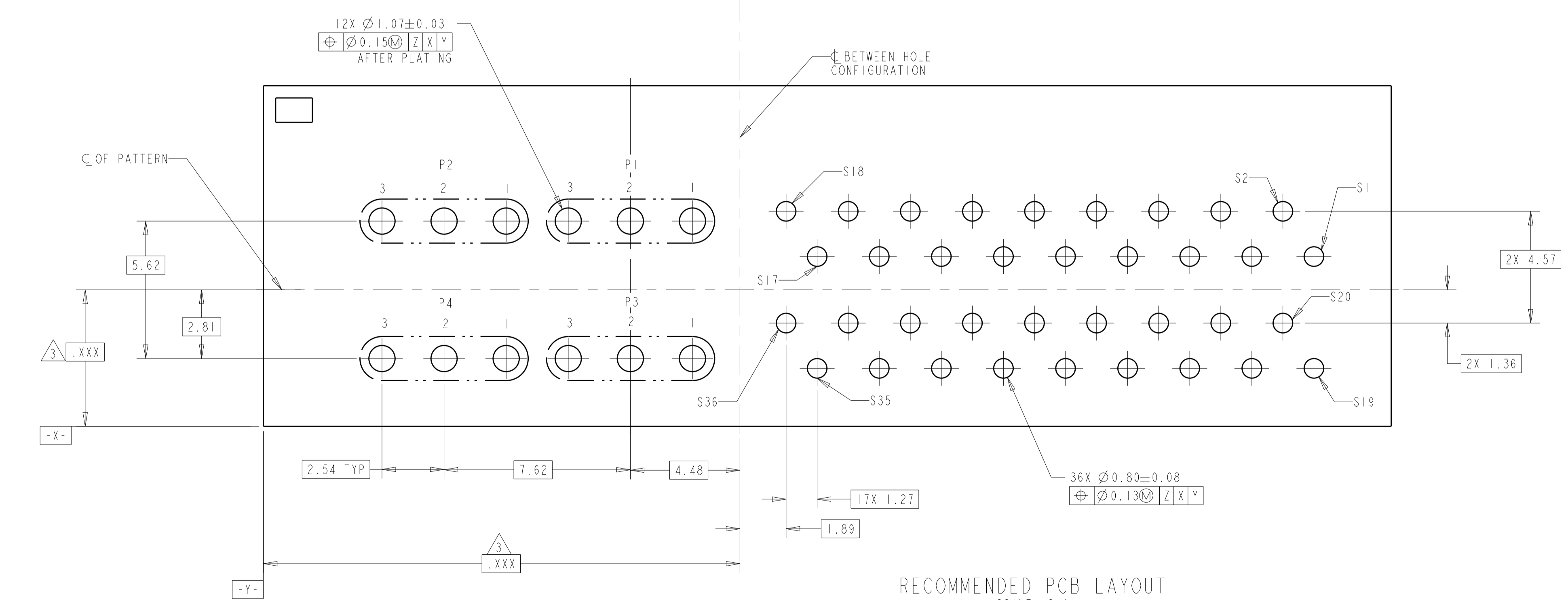


THIS DRAWING IS A CONTROLLED DOCUMENT.		DMN L.A.MAYER 28MAY2008	TE Connectivity												
DIMENSIONS: mm		CHK A.FRANZIUM 28MAY2008													
TOLERANCES UNLESS OTHERWISE SPECIFIED:		APVD S.FLICKINGER 28MAY2008	NAME CONNECTOR ASSEMBLY, SEC II POWER, 4 POWER AND 36 SIGNAL, PRESS FIT												
<table border="1"> <tr><td>0 PLC</td><td>±</td></tr> <tr><td>1 PLC</td><td>±</td></tr> <tr><td>2 PLC</td><td>±0.13</td></tr> <tr><td>3 PLC</td><td>±</td></tr> <tr><td>4 PLC</td><td>±</td></tr> <tr><td>ANGLES</td><td>±1°</td></tr> </table>		0 PLC	±	1 PLC	±	2 PLC	±0.13	3 PLC	±	4 PLC	±	ANGLES	±1°	PRODUCT SPEC	SIZE A1
0 PLC	±														
1 PLC	±														
2 PLC	±0.13														
3 PLC	±														
4 PLC	±														
ANGLES	±1°														
MATERIAL SEE NOTE 1		APPLICATION SPEC	CAGE CODE 00779												
FINISH SEE NOTE 1		WEIGHT	DRAWING NO C=2204061												
		CUSTOMER DRAWING	SCALE 3:1												
			SHEET 2 OF 3												
			REV A1												

LOC		DIST		REVISIONS				
P	LTN	DESCRIPTION	DATE	DMN	APVD			
-	-	SEE SHEET 1	-	-	-			



RECOMMENDED DAUGHTER CARD CONFIGURATION
 SCALE 8:1



RECOMMENDED PCB LAYOUT
 SCALE 8:1

THIS DRAWING IS A CONTROLLED DOCUMENT.		DMN L.A.MAYER 28MAY2008	TE Connectivity
DIMENSIONS: mm		CHK A.FRANZIUM 28MAY2008	
TOLERANCES UNLESS OTHERWISE SPECIFIED:		APVD S.FLICKINGER 28MAY2008	NAME
0 PLC ±	1 PLC ±0.13	PRODUCT SPEC	CONNECTOR ASSEMBLY, SEC II POWER, 4 POWER AND 36 SIGNAL, PRESS FIT
2 PLC ±	3 PLC ±	APPLICATION SPEC	SIZE CAGE CODE DRAWING NO RESTRICTED TO
4 PLC ±	ANGLES ±1°	WEIGHT	A1 00779 C=2204061
MATERIAL SEE NOTE 1	FINISH SEE NOTE 1	CUSTOMER DRAWING	SCALE 4:1 SHEET 3 OF 3 REV A1