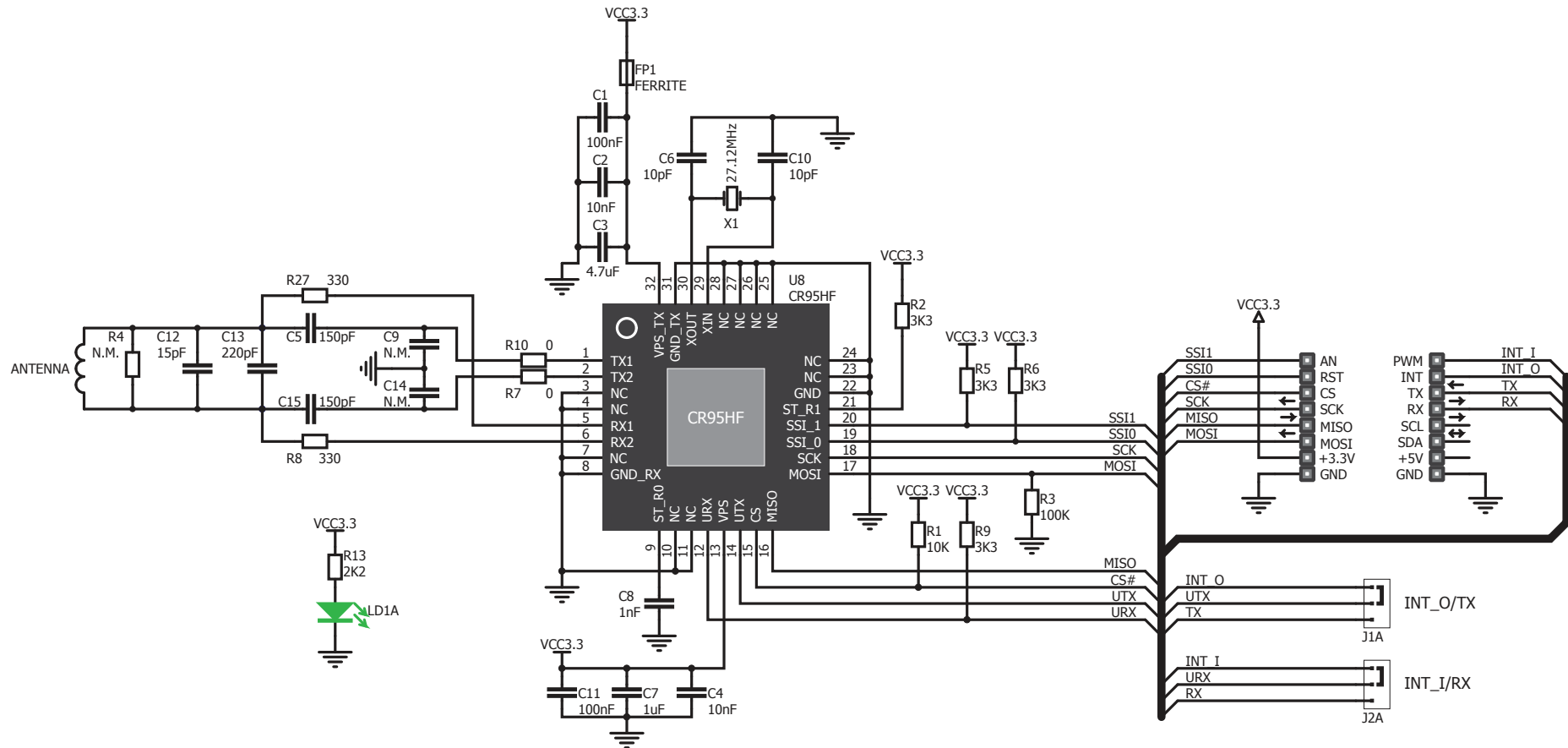


# RFid click board™ Schematic v100



[www.mikroe.com](http://www.mikroe.com)