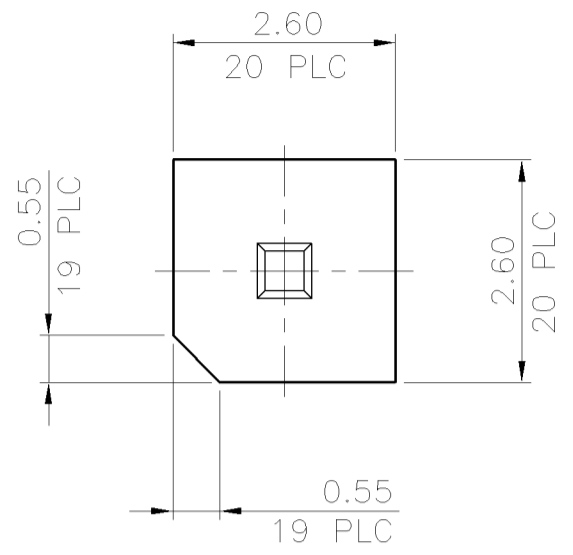
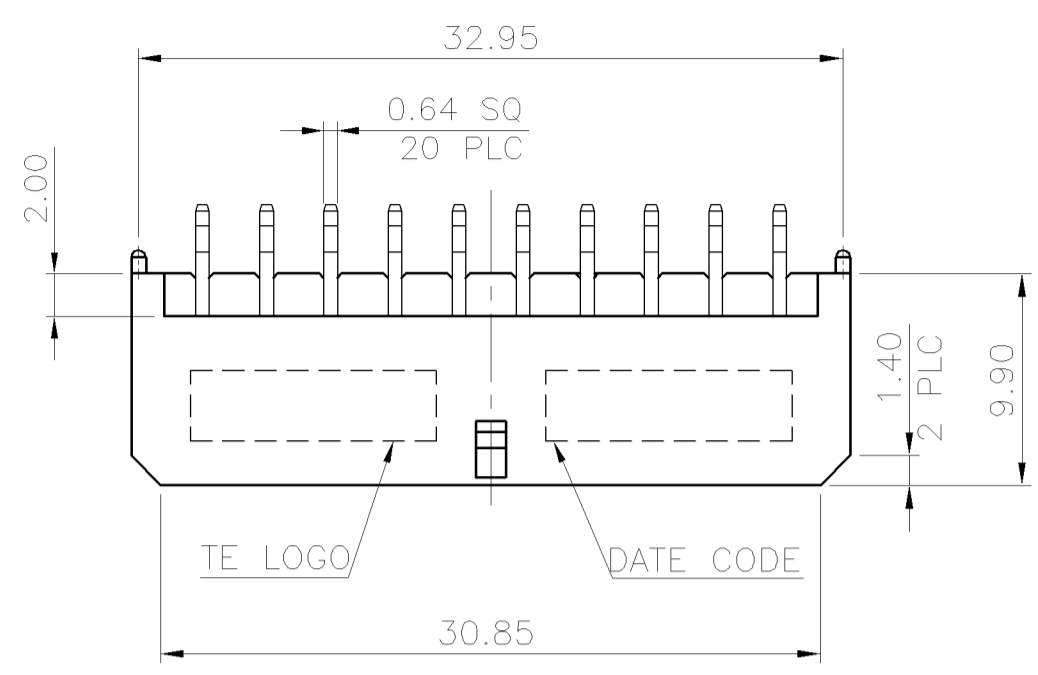


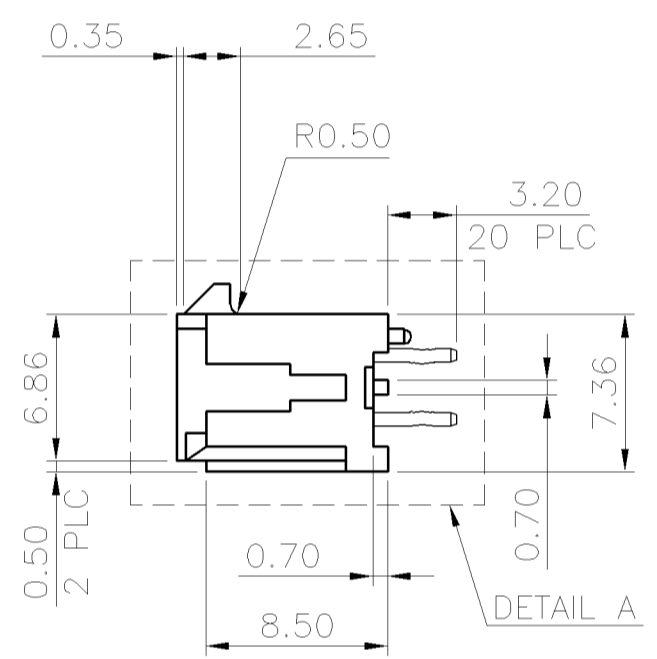
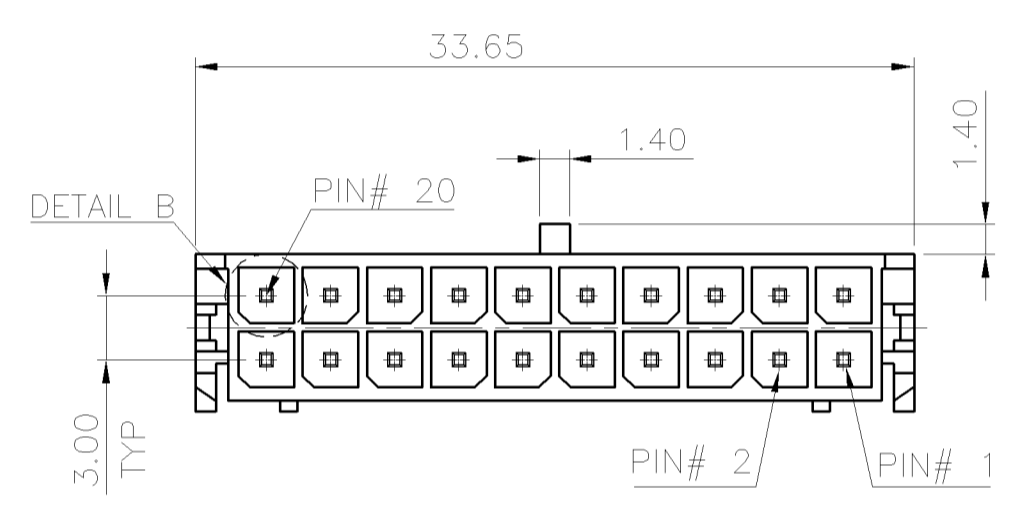
THIS DRAWING IS UNPUBLISHED. RELEASED FOR PUBLICATION
 © COPYRIGHT BY TYCO ELECTRONICS CORPORATION. ALL RIGHTS RESERVED.

LOC		DIST		REVISIONS					
DW				P	LTR	DESCRIPTION	DATE	DWN	APVD
				A		RELEASED	02SEP08	AW	WK

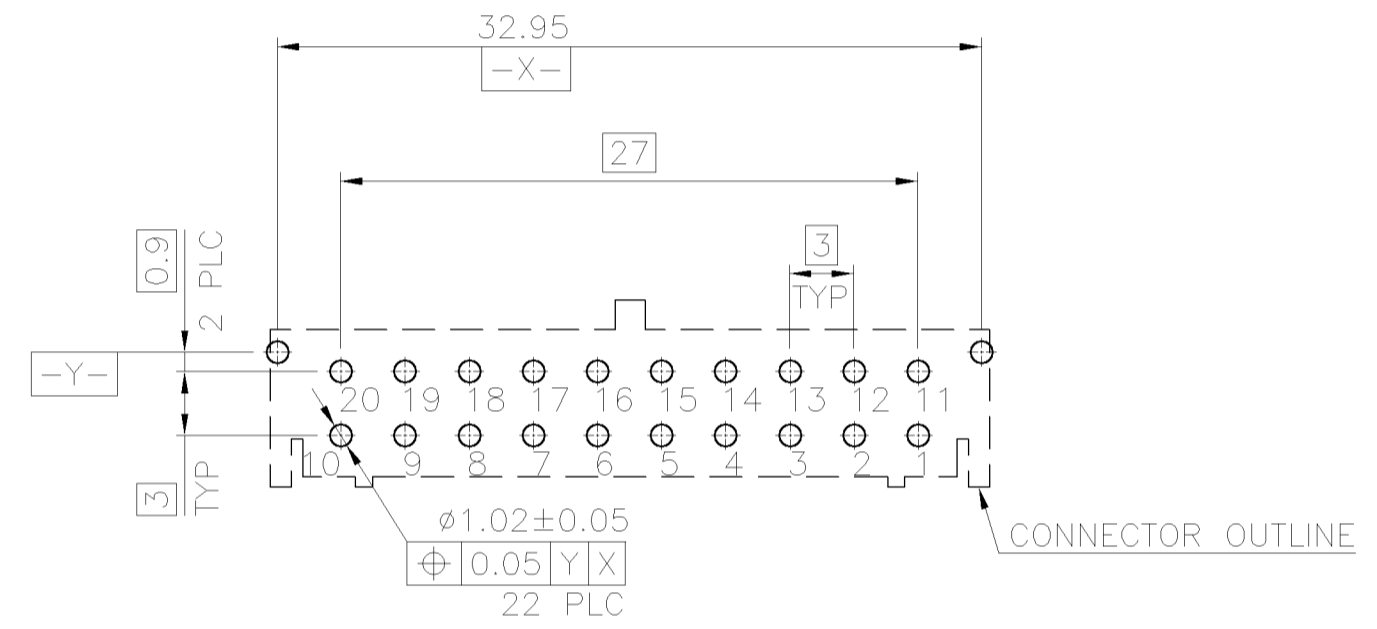


DETAIL B

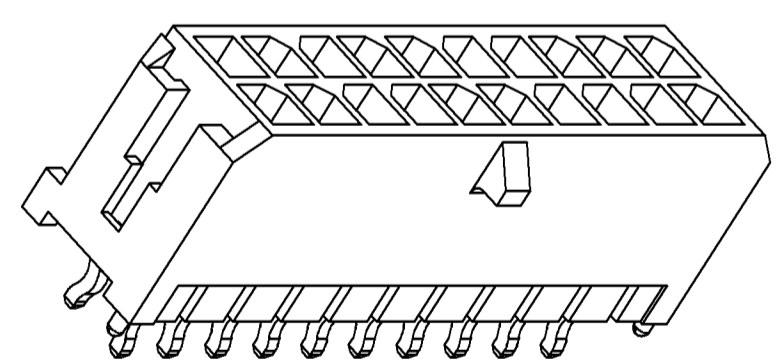
- NOTE:
- MATERIAL:
HOUSING: LCP WITH 30% GF, UL 94V-0, BLACK COLOR.
POSTS: BRASS.
 - FINISH:
POSTS: (SEE TABLE) GOLD PLATED ON CONTACT AREA, 2.54μm [100μ"] MIN. GOLD FLASH ON SOLDER TAIL, WITH ENTIRE CONTACT UNDERPLATED 1.27μm [50μ"] MIN. NICKEL.
 - REFLOW SOLDER CAPABLE TO 260°C PER TE TEST SPEC. 109-201, CONDITION B.



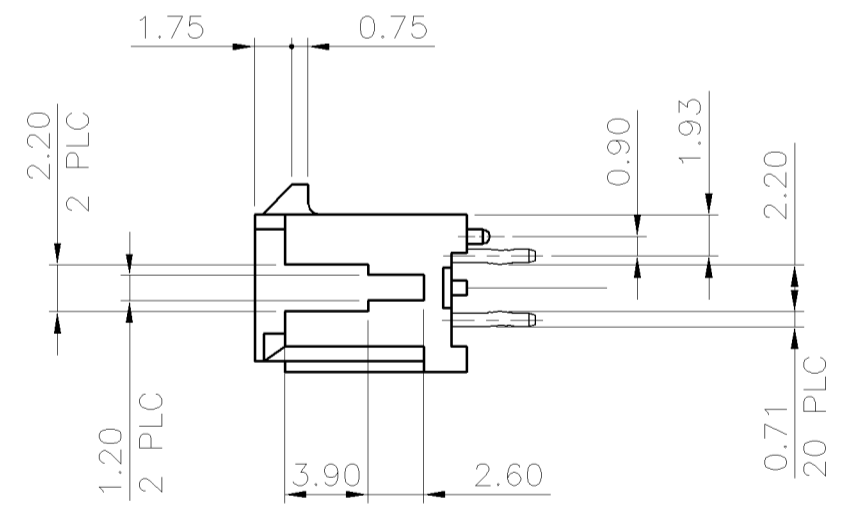
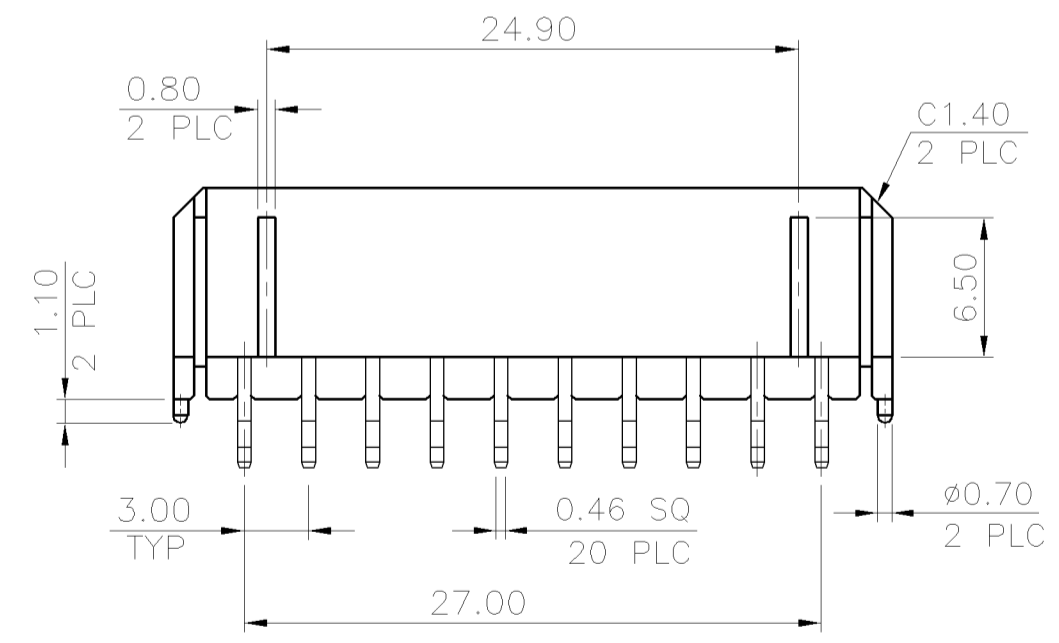
DETAIL A



TOLERANCE: ±0.05, THICKNESS: 1.2mm
 RECOMMENDED PCB LAYOUT
 (TOP VIEW)



0.762μm [30μ"]	2041605-3
0.381μm [15μ"]	2041605-2
GOLD FLASH	2041605-1
MIN. GOLD THICKNESS	PART NUMBER

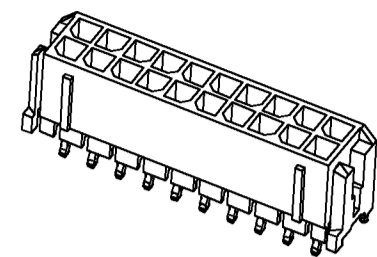


DETAIL A

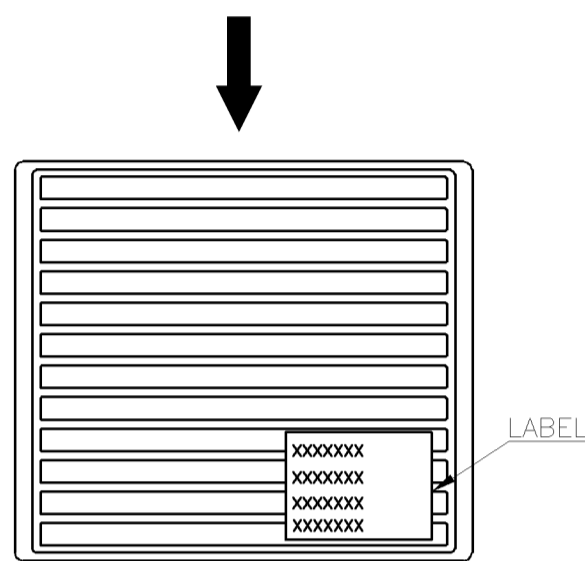
THIS DRAWING IS A CONTROLLED DOCUMENT.		DWN A. WU 02SEP2008	Tyco Electronics Corporation Taipei, Taiwan													
DIMENSIONS: MM		CHK S. CHIEN 02SEP2008	NAME													
TOLERANCES UNLESS OTHERWISE SPECIFIED:		APVD W. KODAMA 02SEP2008	BTX POWER, PITCH 3mm, 20 POSITION, PLUG, VERTICAL, DIP, KINK													
<table border="1"> <tr><td>0 PLC</td><td>± 0.5</td></tr> <tr><td>1 PLC</td><td>± 0.3</td></tr> <tr><td>2 PLC</td><td>± 0.2</td></tr> <tr><td>3 PLC</td><td>± 0.15</td></tr> <tr><td>4 PLC</td><td>± -</td></tr> <tr><td>ANGLES</td><td>± 3°</td></tr> </table>		0 PLC	± 0.5	1 PLC	± 0.3	2 PLC	± 0.2	3 PLC	± 0.15	4 PLC	± -	ANGLES	± 3°	PRODUCT SPEC 108-57637	SIZE	CAGE CODE
0 PLC	± 0.5															
1 PLC	± 0.3															
2 PLC	± 0.2															
3 PLC	± 0.15															
4 PLC	± -															
ANGLES	± 3°															
MATERIAL SEE NOTE		APPLICATION SPEC -	DRAWING NO A300779	RESTRICTED TO -												
FINISH SEE NOTE		WEIGHT 2.40 GRAMS	SCALE -	SHEET 1 OF 2												
		CUSTOMER DRAWING	DRAWING NO C=2041605	REV A												

THIS DRAWING IS UNPUBLISHED. RELEASED FOR PUBLICATION
 © COPYRIGHT BY TYCO ELECTRONICS CORPORATION. ALL RIGHTS RESERVED.

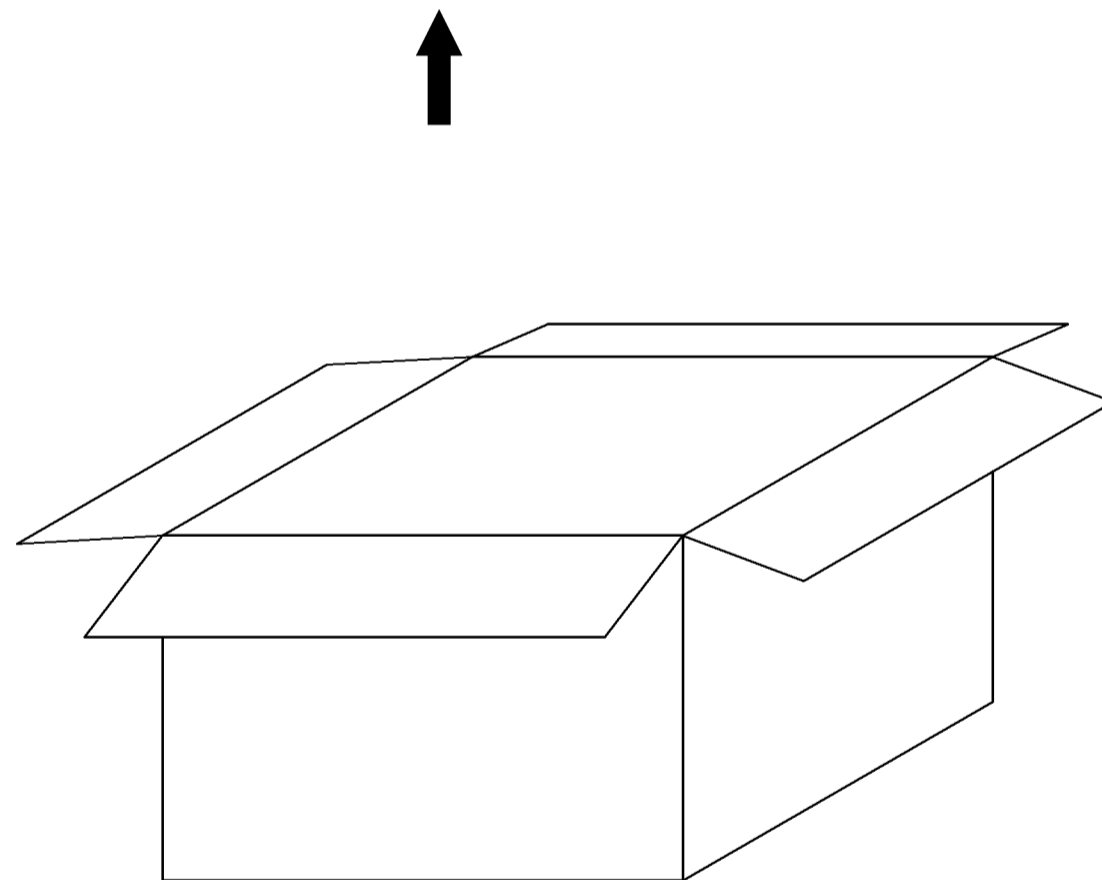
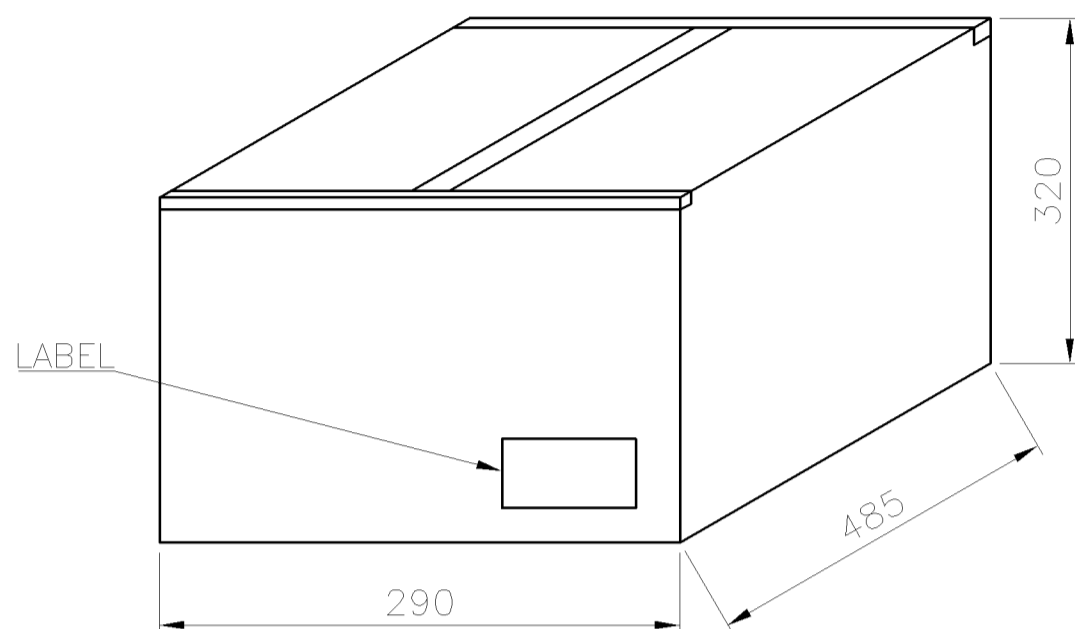
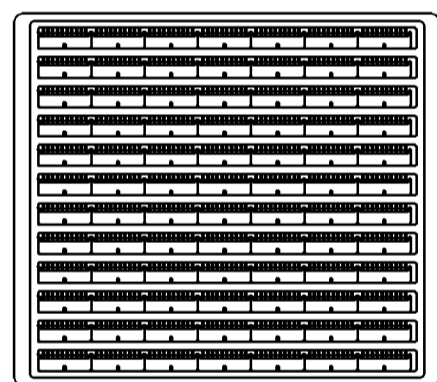
LOC	DIST	REVISIONS					
DW	—	P	LTR	DESCRIPTION	DATE	DWN	APVD
				SEE SHEET 1.			



PRODUCT



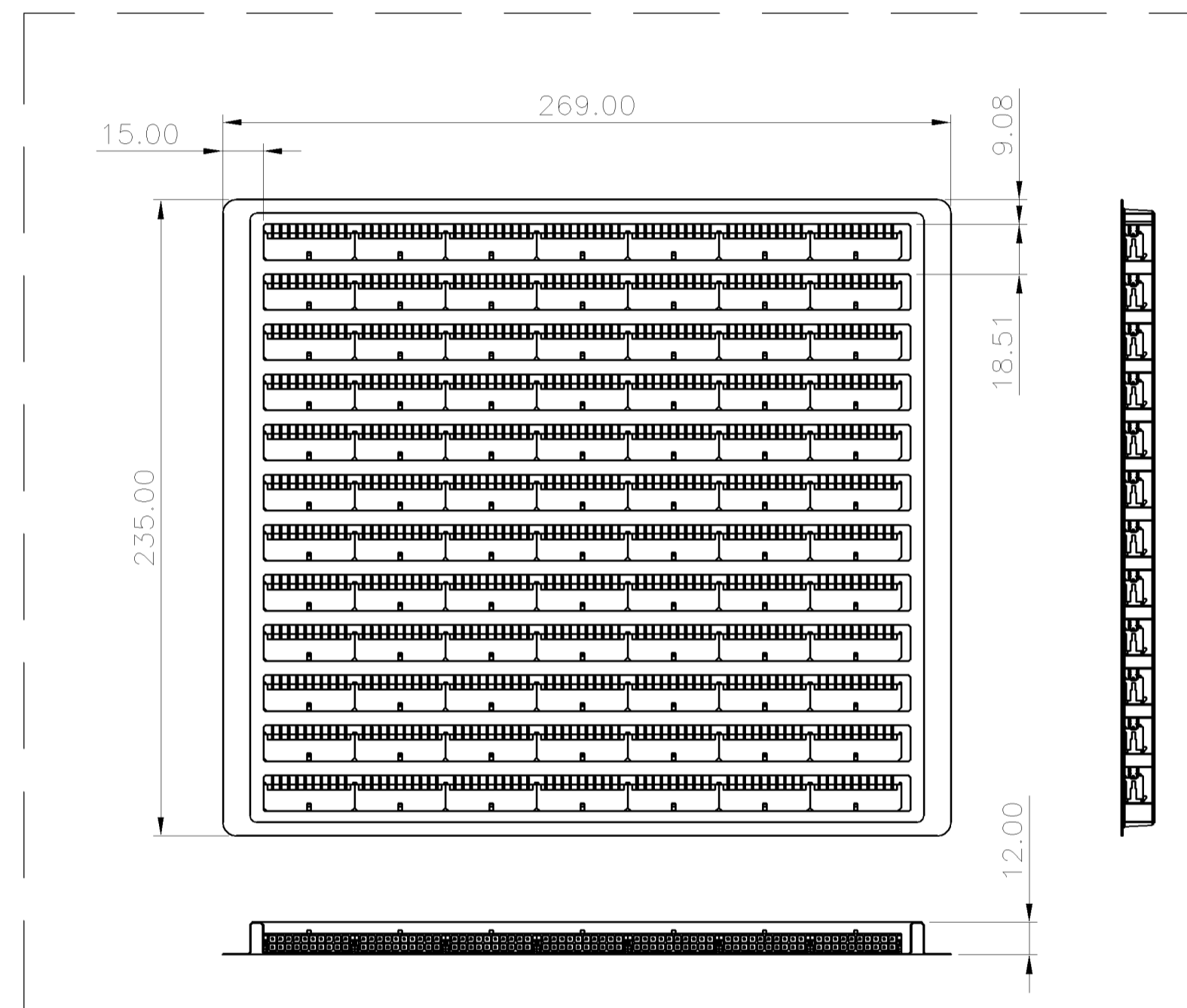
TRAY



BOX

NOTE:

- MATERIAL:
 TRAY: PET, TRANSPARENT COLOR.
 BOX: FIBREBOARD, CORRUGATED, DOUBLE WALL.
- EACH BAG SHALL BE INCLUDED DESICCANT.



TRAY DETAIL

84	48	4032 PCS	10.87 KG	9.87 KG
PCS/TARY	TARYS/BOX	QUANTITY	GROSS WEIGHT	NET WEIGHT

THIS DRAWING IS A CONTROLLED DOCUMENT.		DWN	A. WU	02SEP2008	Tyco Electronics Corporation Taipei, Taiwan	
DIMENSIONS: MM		CHK	S. CHIEN	02SEP2008	NAME	
TOLERANCES UNLESS OTHERWISE SPECIFIED: 0 PLC ± - 1 PLC ± - 2 PLC ± - 3 PLC ± - 4 PLC ± - ANGLES ± -		APVD	W. KODAMA	02SEP2008	BTX POWER, PITCH 3mm, 20 POSITION, PLUG, VERTICAL, DIP, KINK.	
MATERIAL		PRODUCT SPEC	APPLICATION SPEC			RESTRICTED TO
FINISH		WEIGHT	A300779 C=2041605			—
—		CUSTOMER DRAWING		SCALE	SHEET 2 OF 2	REV A