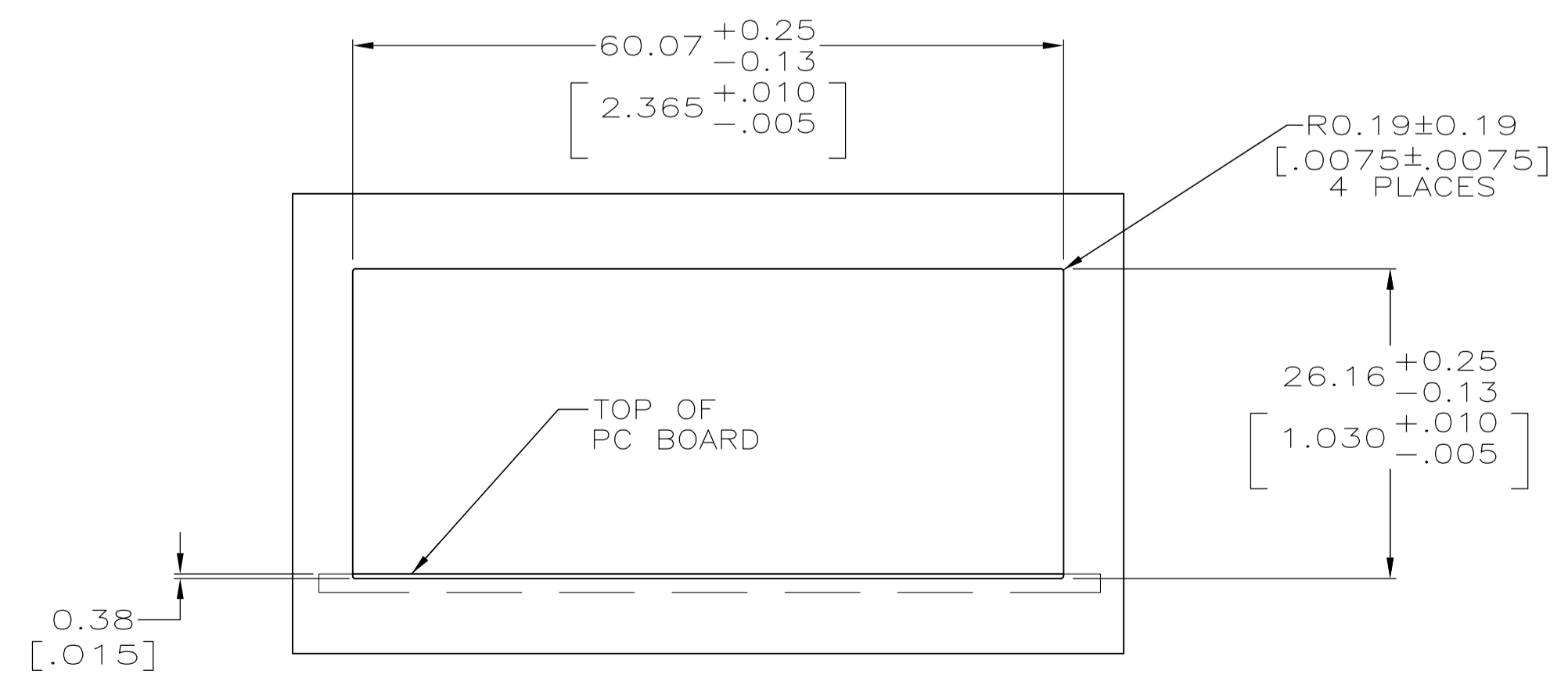
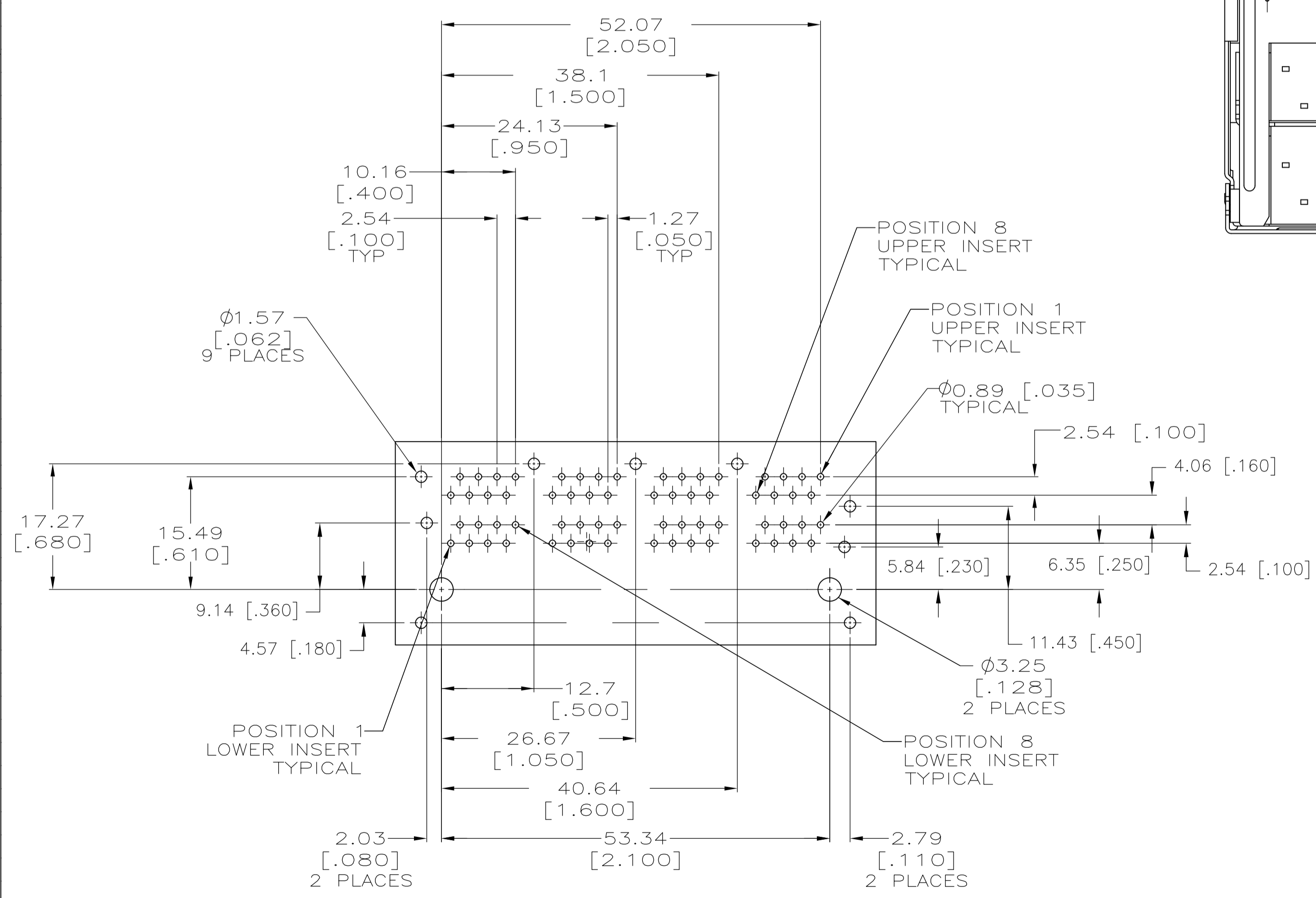
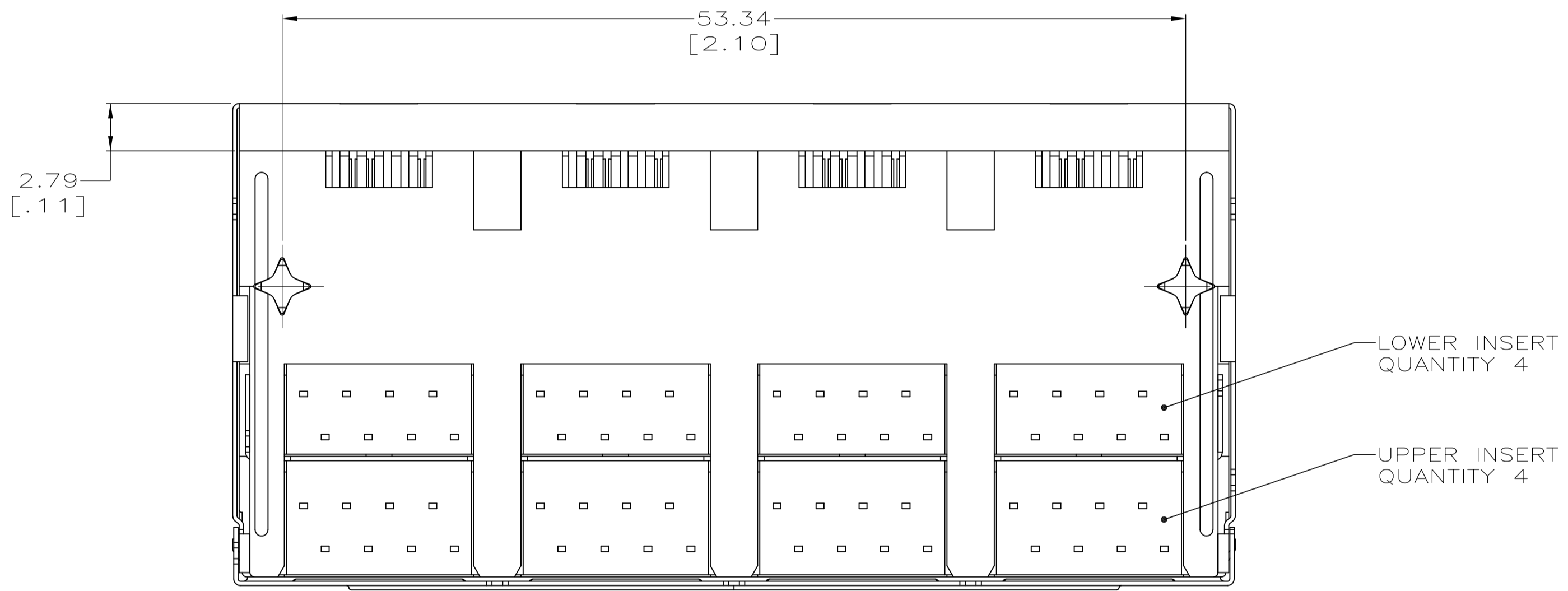
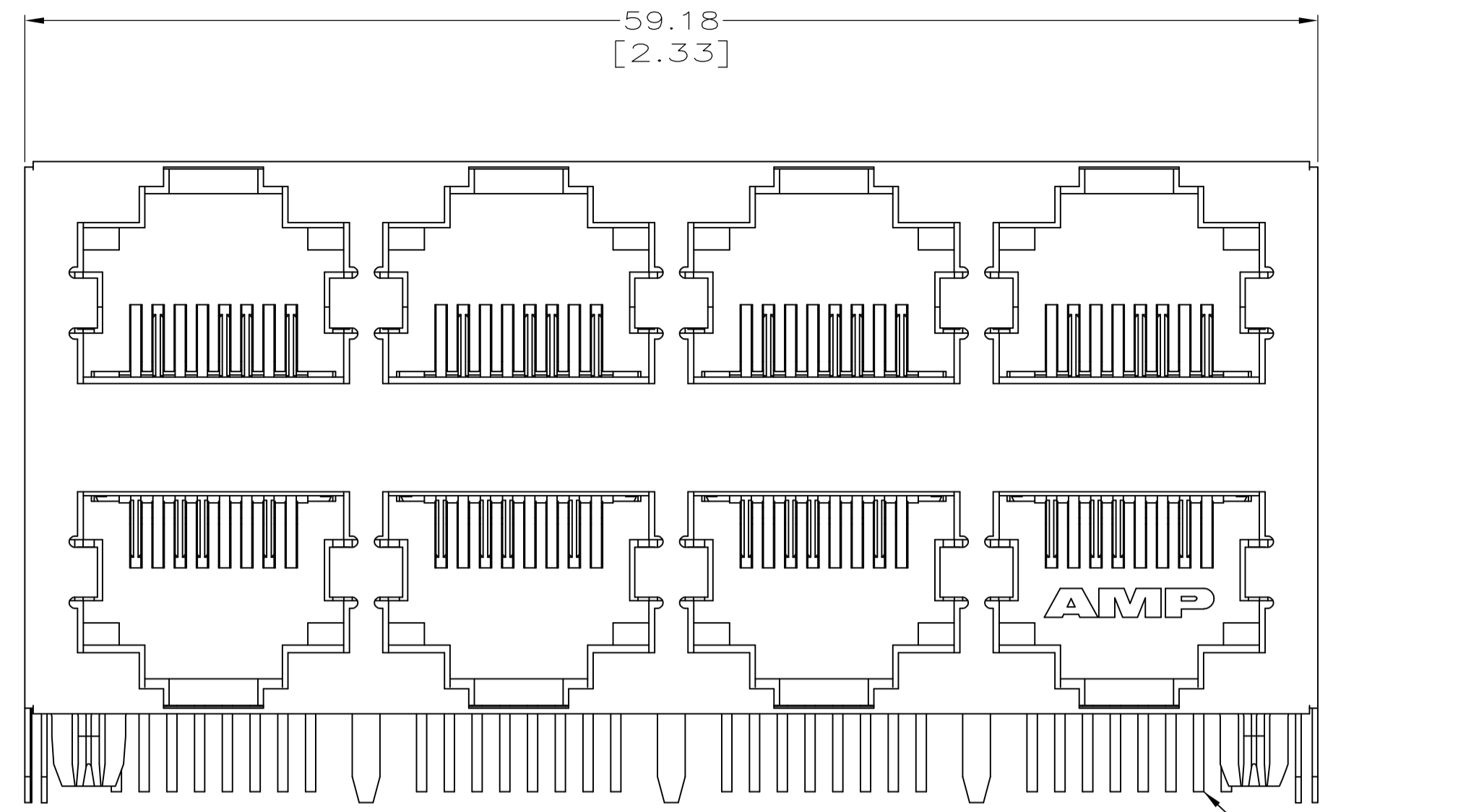
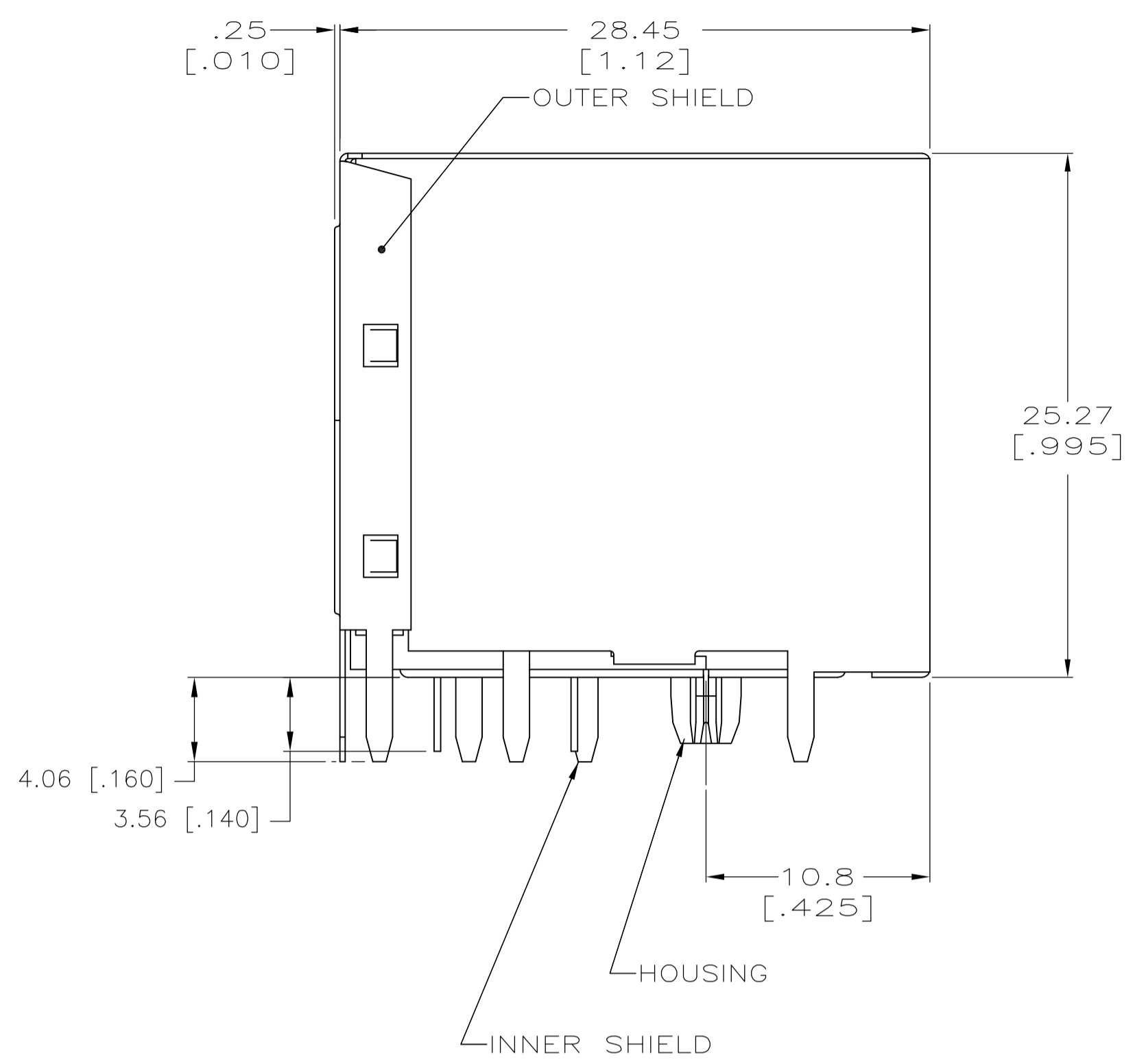


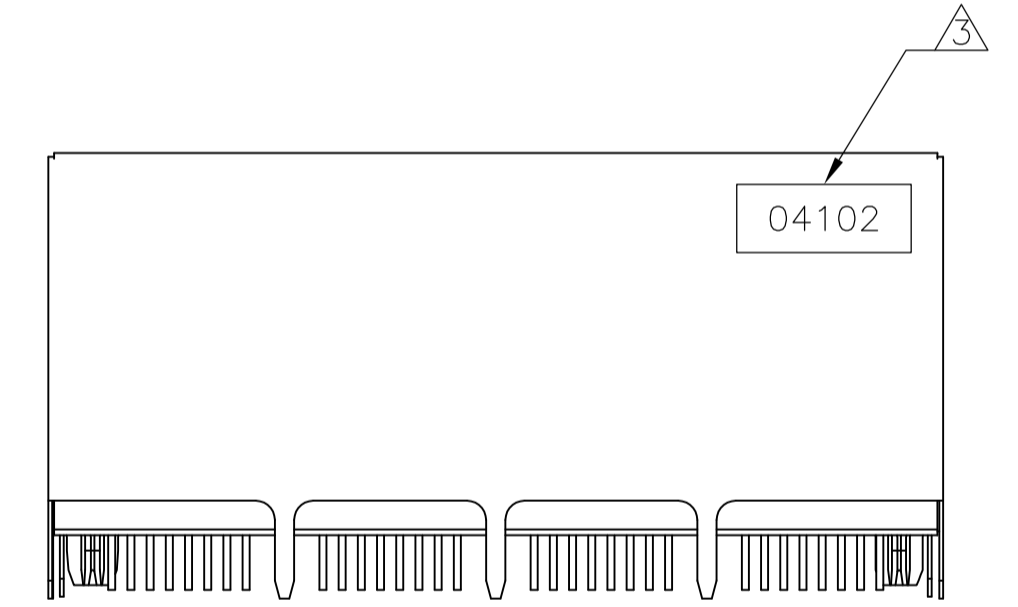
LOC		DIST		REVISIONS			
F	LTR	DESCRIPTION	DATE	DWN	APVD	SY	
A1		REVISED ECR-08-031628	15JUN2005	AZ			



⚠ MATERIAL:
 HOUSING - PCT POLYESTER, BLACK, UL94V-0.
 OVERMOLDED TERMINAL ARRAY - PBT, BROWN.
 TERMINALS - 0.33 [.013] THICK PHOS BRONZE PLATED WITH 1.27um [.000050] MIN THICK HARD GOLD IN LOCALIZED AREA AND 3.81um [.000150] MIN THICK MATTE TIN IN SOLDER AREA OVER 1.27um [.000050] MIN THICK NICKEL UNDERPLATE.
 SHIELDS - 0.25 [.010] THICK COPPER ALLOY PLATED WITH 1.27 um [.000050] MINIMUM NICKEL AND 2.03 um [.000080] MINIMUM HOT TIN DIP ON PCB GROUND TABS.

⚠ JACK CAVITY CONFORMS TO FCC RULES AND REGULATIONS, PART 68 SUBPART F.

⚠ DATE CODE LOCATED ON REAR OF PART APPROXIMATELY AS SHOWN:
 FIRST 2 DIGITS ARE LAST 2 DIGITS OF YEAR, SECOND 2 DIGITS ARE MANUFACTURING WORK WEEK, LAST DIGIT IS DAY OF WEEK, WITH SUNDAY = 1.



BACK VIEW SCALE 2:1

PC BOARD LAYOUT VIEWED FROM COMPONENT SIDE SCALE 2:1

SUGGESTED PANEL CUTOUT DIMENSIONS SCALE 2:1

5569257-1
 PART NUMBER

THIS DRAWING IS A CONTROLLED DOCUMENT.		DIN A. FERNANDEZ-DOCK5 15JUN2005	Tyco Electronics Corporation Harrisburg, PA 17105-3608
DIMENSIONS: mm [INCHES]		CHK J. WESTMAN 04DEC08	
TOLERANCES UNLESS OTHERWISE SPECIFIED:		APVD S. FLICKINGER 15JUN2005	NAME STACKED MODULAR JACK ASSEMBLY, 2 X 4 PORT, 8 POSITION, SHIELDED, PRINTED CIRCUIT BOARD GROUND, CATEGORY 5
0 PLC ± -		PRODUCT SPEC 108-1163-2	
1 PLC ± -		APPLICATION SPEC 114-2048	SIZE CAGE CODE DRAWING NO A1 00779 C=5569257
2 PLC ± 0.25(.01)		WEIGHT	RESTRICTED TO
3 PLC ± 0.13(.005)		CUSTOMER DRAWING	SCALE 4:1 SHEET 1 OF 1 REV A1
4 PLC ANGLES ± -			