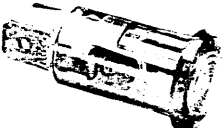
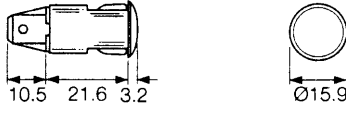

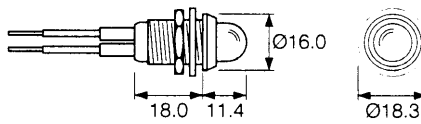

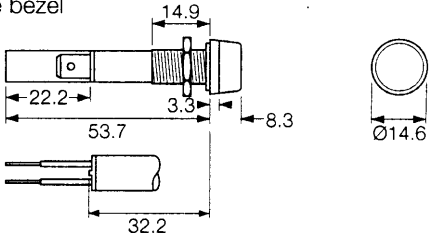

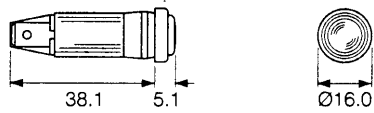
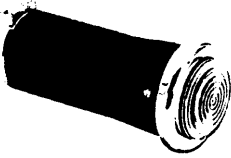
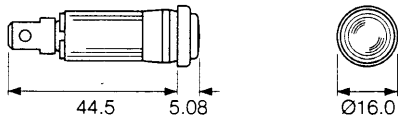

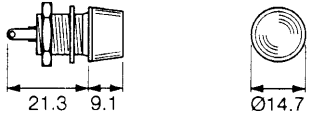



140 287

**NEW**

12 Volt LED with Integral resistor now available

Standard product. See page 50 & 51.

TERM	TYPE	DIMENSIONS
L K H C	(C) 0589 OO 	<p>12.7mm</p> <p>0.8-1.5mm max.</p> <p>T85°C *T125°C</p> 
L	L 0081 OO 	<p>12.7mm</p> <p>9.5mm max.</p> <p>T85°C</p> <p>Chrome bezel</p> 
L K H C	(C) 0177 OO 	<p>12.7mm</p> <p>12.0mm max.</p> <p>T85°C *T125°C</p> <p>Chrome bezel</p> 
L K H C	(C) 0067 OO 	<p>12.7mm</p> <p>1.14mm max.</p> <p>T85°C</p> <p>Chrome bezel</p> 
C	C 0067 OO BA7s 	<p>12.7mm</p> <p>1.14mm max.</p> <p>T85°C</p> <p>Chrome or matt black bezel. Snap-in panel mounting. Base assembly removable for bulb replacement.</p> 
T	T 0062 AO 	<p>12.7mm</p> <p>9.6mm max.</p> <p>T85°C</p> <p>Removable lens. Front of panel bulb replacement.</p> 
	T 0062 MO 	

Lampholder Up to 50 volt only

Lampholders Up to 50 volt only (bezel is live)

T0062AO & T0063AO have chrome bezel.  
T0062MO & T0063MO have no chrome bezel.  
T0062 -- for Midget flange.  
T0063 -- for LES.

Removable lens. Front of panel bulb replacement.

\* See Temperature rating details on page 39

# Technical Information-Indicators

The majority of Arcoelectric indicator lights can be supplied with alternative light sources:

**Neon, Fluorescent, Filament lamp or LED.**

When ordering simply state the light source preferred for your application.

Red, Amber and Green lenses are available on most indicators.  
Clear and Blue lenses are available on a limited range of items only.

## NEON and FLUORESCENT LAMPS

### COLOURS

Red, Amber, Clear neon, and Green & Blue fluorescent.

### MAXIMUM STRIKING VOLTAGES

Standard brightness types 65Vac 90Vdc,  
High brightness types 95Vac 135Vdc.  
High brightness types are usually fitted.

### LIFE

Typically 20,000 hours (Green and blue fluorescent lamps 5,000 hours). (Measured to a point when light output is half that of its original level.) The end of life of a neon lamp is not usually a sudden failure. Replacement is necessary when the light output has reduced to a level below the requirement of the application.

## FILAMENT LAMPS

### COLOURS

Red, Amber, Green, (Clear and Blue, limited availability)

### LIFE

Average 10,000 hours.

The end of life of a filament lamp is sudden, unpredictable and is dramatically reduced by shock and vibration. Assemblies with wired-lamps require extraction from panels and complete replacement in the event of a lamp failure.

## LEDS

### COLOURS

Red, Yellow, and Green

### VOLTAGE

Basic voltage 2.0/2.2V. Some items are available with integral resistors for 12V use. For details of resistors required for higher voltages please contact our Sales department.

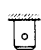
### CURRENT


Maximum continuous forward current 35mA.

### LIFE

Extremely long - not known to fail under test.

## EXPLANATION OF SYMBOLS

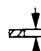
 Terminals  
C 6.3, H 4.8, K 2.8


 Panel hole diameter

 Wire leads  
200mm long Standard

 Panel hole size

 Solid wires  
LED only

 Panel thickness

 Temperature rating

Authority	Terminals	Wire leads	
		PVC	SILICONE
All European	T125°C	T85°C	T125°C
UL	T65/75°C	T65/75°C	

### FALSE SIGNALS DUE TO LONG WIRING

It is possible for a neon or fluorescent indicator to glow when it should be off. These false signals are caused by the capacitance effect when fairly long wiring leading to the the indicator is adjacent to other live cables.

This effect can be prevented in most cases by fitting a 100K resistor across the supply wires to the indicator assembly.

### ORDERING EXAMPLE

Cat. No. Colour Voltage  
**C 0589 00 Amber 230V**

This is an indicator which snaps into a 12.7mm hole, is fitted with 6.3mm terminals, has an amber lens and is suitable for use on 200-250Vac.

Lampholders designed to accept replaceable capped lamps are listed on pages E8 and E9.

### ORDERING EXAMPLE

Cat. No. Colour Voltage  
**C 0589 00 Amber 12V**

This is an indicator which snaps into a 12.7mm hole, is fitted with 6.3mm terminals, has an amber lens and is suitable for use on 12-14V.

### ORDERING EXAMPLE

Cat. No. Colour Voltage Type  
**C 0589 00 Amber 2.0V LED**

This is an indicator which snaps into a 12.7mm hole, is fitted with 6.3mm terminals, has an amber lens and is suitable for use on 2.0-2.2Vdc. The light source is an LED.