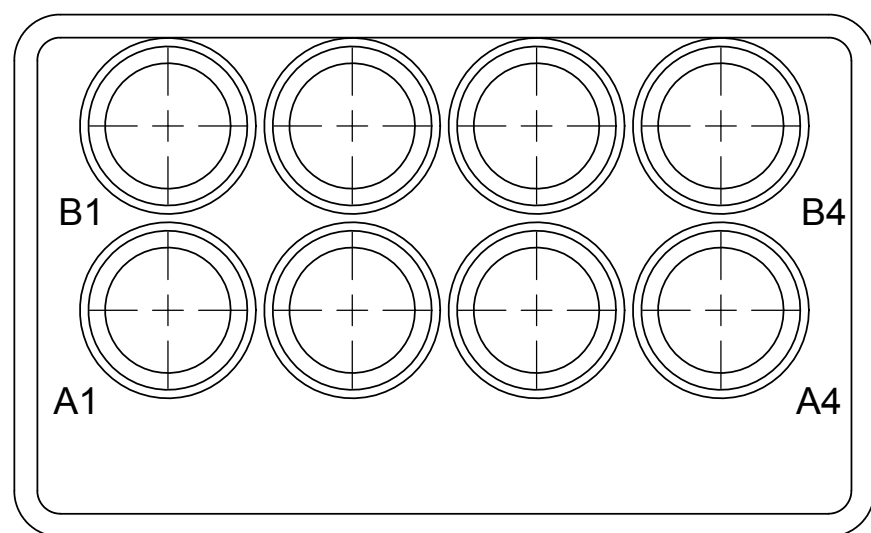
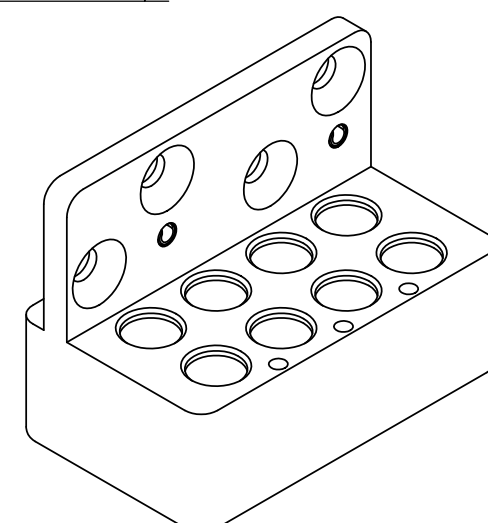
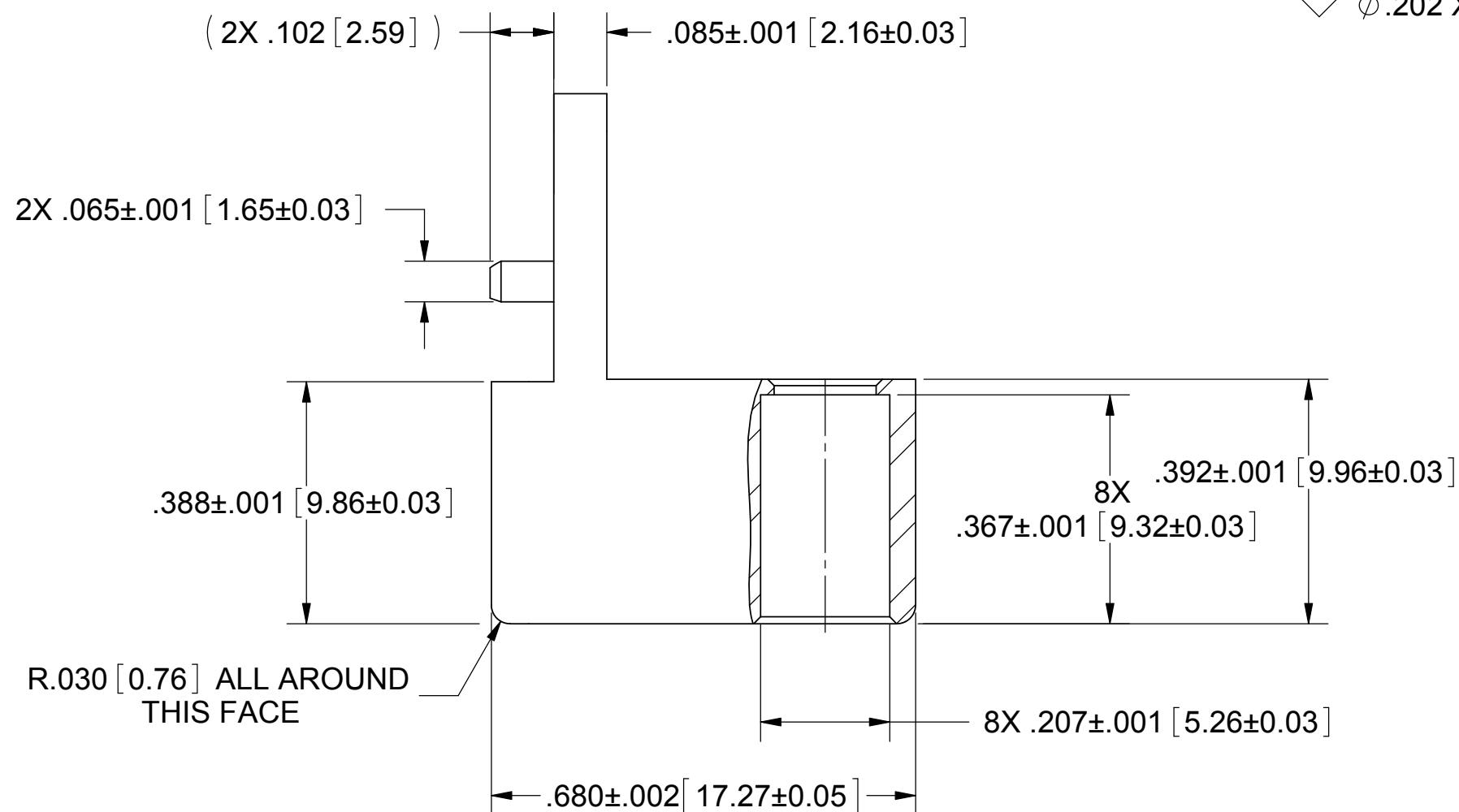
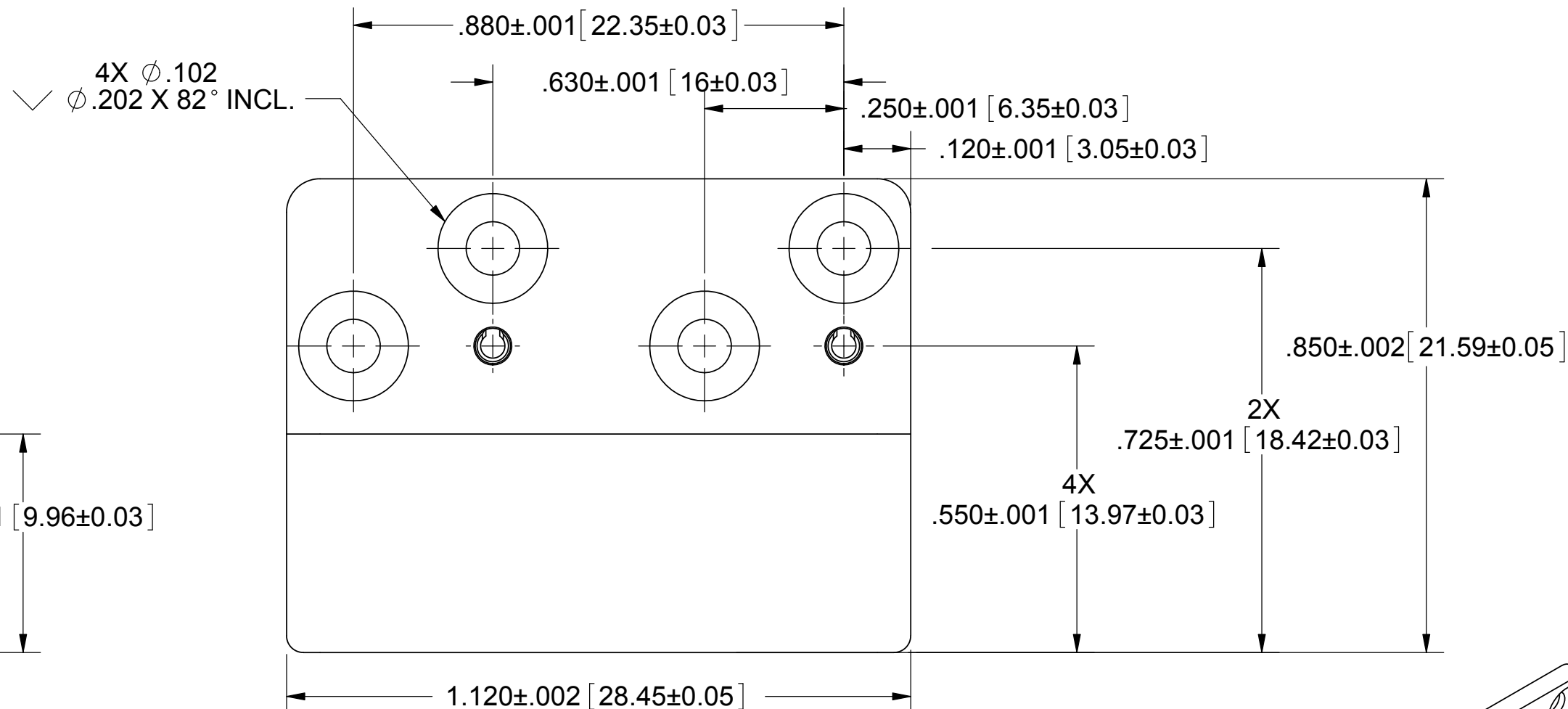
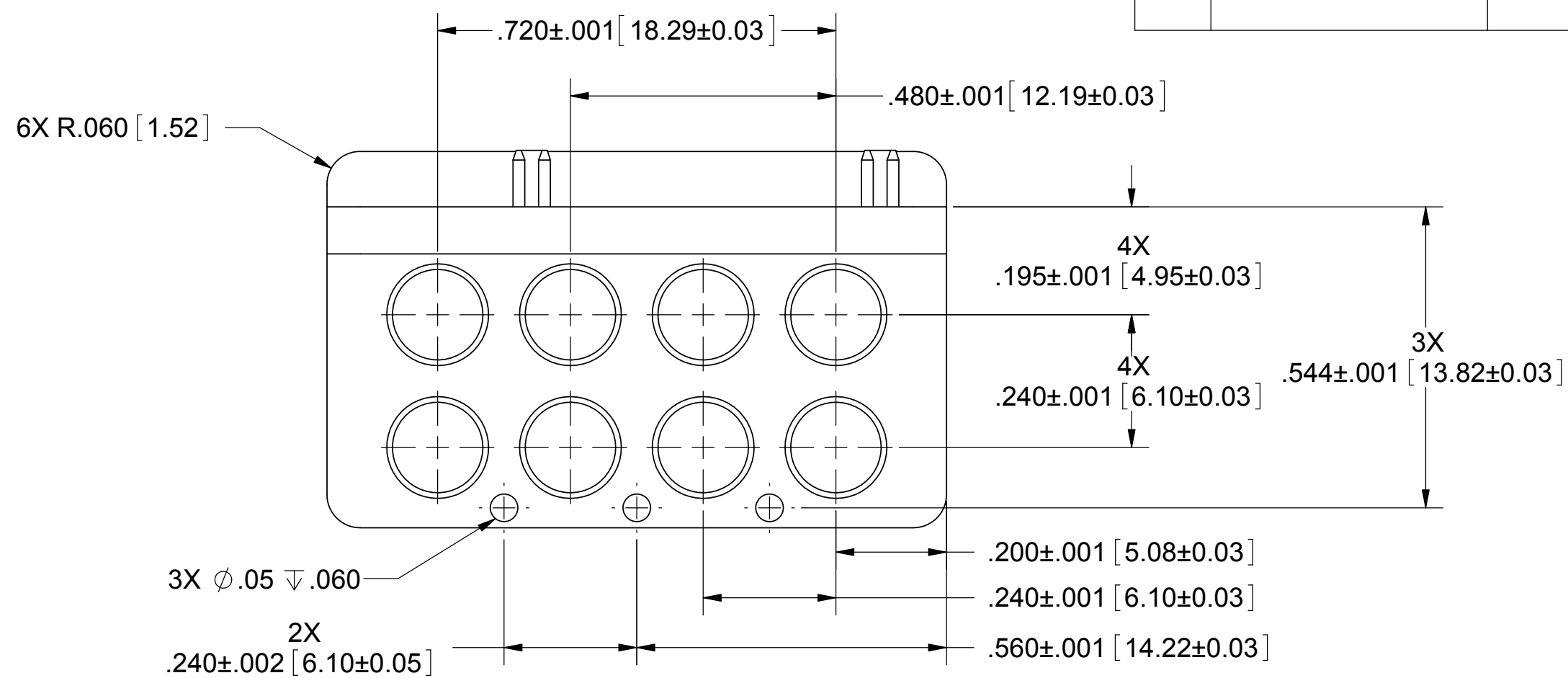


PRODUCT DATA DRAWING

REVISION HISTORY			
REV.	DESCRIPTION	DATE	APPROVED
B	REV. DCN 38885	2/29/12	STW



CAVITY IDENTIFICATION



MATERIAL:
 MODULE: STAINLESS STEEL PER AMS-5640, ALLOY UNS S30300, TYPE 1
 SPRING PINS: STAINLESS STEEL PER ASTM A313, ALLOY UNS S30200, TYPE 302.
 FINISH:
 MODULE & SPRING PINS: PASSIVATED PER AMS-2700.

MATERIAL:	SEE NOTES
FINISH:	SEE NOTES
DO NOT SCALE DRAWING	
PROPRIETARY	
<small>THE INFORMATION CONTAINED IN THIS DRAWING IS THE SOLE PROPERTY OF SV MICROWAVE, INC. ANY REPRODUCTION IN PART OR AS A WHOLE WITHOUT THE WRITTEN PERMISSION OF SV MICROWAVE, INC. IS PROHIBITED.</small>	

DIMENSIONS ARE IN INCHES	
TOLERANCES:	
ANGULAR:	±1°
ONE PLACE DECIMAL	±.030
TWO PLACE DECIMAL	±.010
THREE PLACE DECIMAL	±.005
INTERPRET DIMENSIONS AND TOLERANCES PER ASME Y14.5M - 1994	
THIRD ANGLE PROJECTION	

UNLESS OTHERWISE SPECIFIED:	
1.	ALL DIMENSIONS ARE AFTER PLATING.
2.	BREAK CORNERS & EDGES R.005 MAX.
3.	CHAMFER 1ST AND LAST THREAD.
4.	SURFACE ROUGHNESS 63 PER MIL-STD-10.
5.	DIA'S ON COMMON CENTERS TO BE CONCENTRIC WITHIN .005 T.I.R.
6.	REMOVE ALL BURRS.
DRAWN:	JMC 12/13/10
CHECKED:	STW 02/07/11
APPROVED:	STW 02/07/11
E.M. SIMULATION:	N/A

SV Microwave, Inc. [®]			
<small>2400 Centrepark West Drive, Suite 100 West Palm Beach, FL 33409</small>			
TITLE: MULTIPOINT MODULE 8 POS			
SIZE	CAGE CODE	DWG. NO.	
C	95077	SF9321-60013	
SCALE: 4:1		SHEET 1 OF 1	