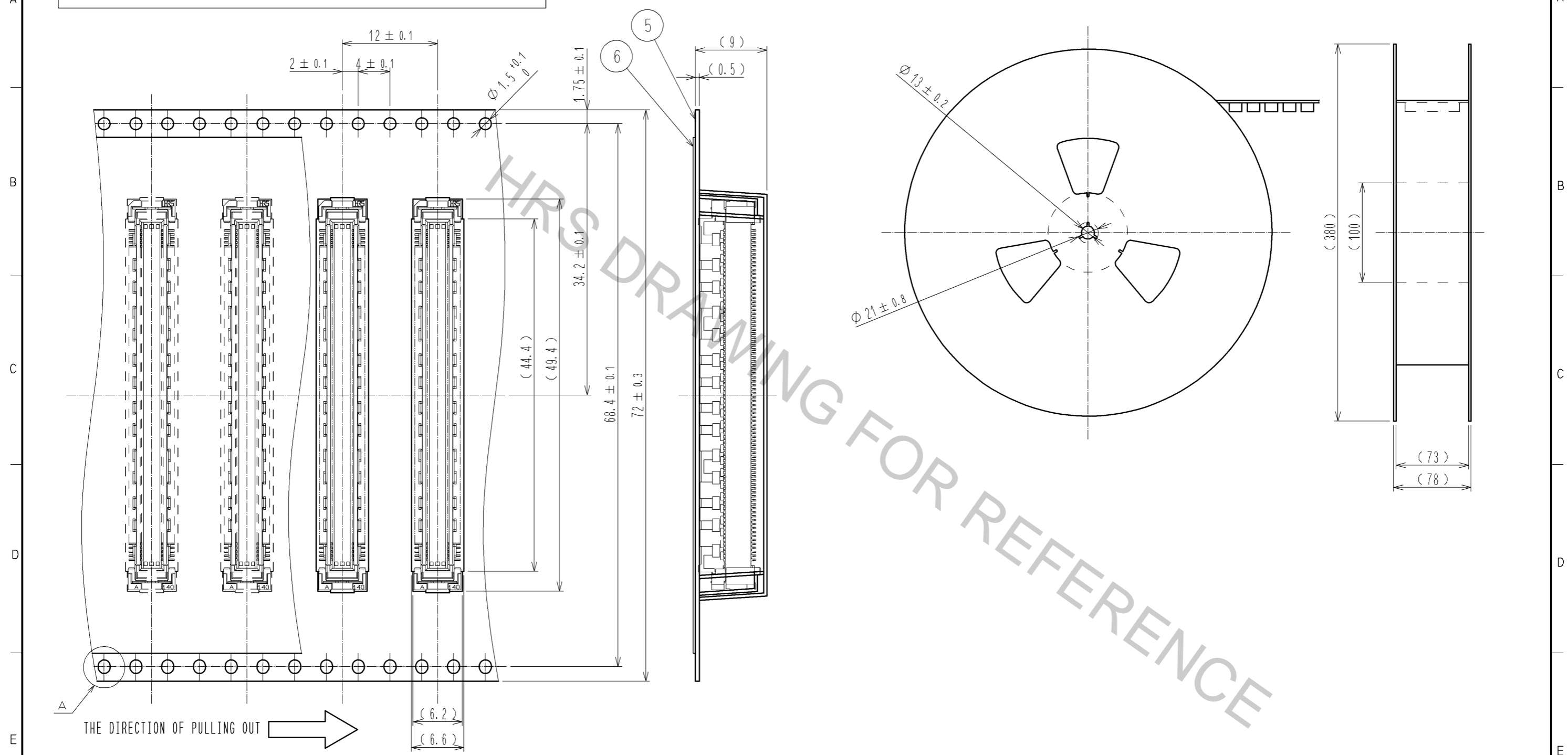


3	COPPER ARROY	CONTACT AREA: GOLD 0.76µm min.	6	PET	TOP COVER TAPE			
		LEAD AREA: GOLD 0.03µm min.	5	PS	EMBOSSED CARRIER TAPE			
		UNDER PLATING: NICKEL 1.3µm min.	4	COPPER ARROY	SURFACE AREA: GOLD 0.03µm min. UNDER PLATING: NICKEL 1.3µm min.			
1, 2	LCP	BEIGE UL94V-0						
NO.	MATERIAL	FINISH . REMARKS	NO.	MATERIAL	FINISH . REMARKS			
		SCALE 4 : 1		COUNT	DESCRIPTION OF REVISIONS	DESIGNED	CHECKED	DATE
HRS HIROSE ELECTRIC CO., LTD.		APPROVED : HS. OKAWA	11.03.24	DRAWING NO. EDC3-330883-01				
		CHECKED : KI. HIROKAWA	11.03.24	PART NO. FX10A-168P-SV4(83)				
		DESIGNED : DK. AIMOTO	11.03.23	CODE NO. CL570-0306-2-83				
		DRAWN : DK. AIMOTO	11.03.23					

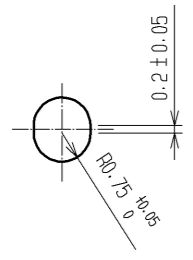
DRAWING FOR PACKING(2:1)

REELED DIMENSION(FREE)



A THE DIRECTION OF PULLING OUT

A(5:1)



- NOTES 1 1REEL:700 CONNECTORS.
 2 MINIMUM 10 COMPARTMENTS FROM BOTH REEL ENDS REMAIN EMPTY.
 3 THIS PRODUCT HAS NO POLARITY TO TAPE AND REEL PACKAGING.
 4 THE DIMENSIONS IN PARENTHESES ARE FOR REFERENCE.

HRS	DRAWING NO.	EDC3-330883-01
	PART NO.	FX10A-168P-SV4(83)
	CODE NO.	CL570-0306-2-83
		2/2