

1. MATERIALS:

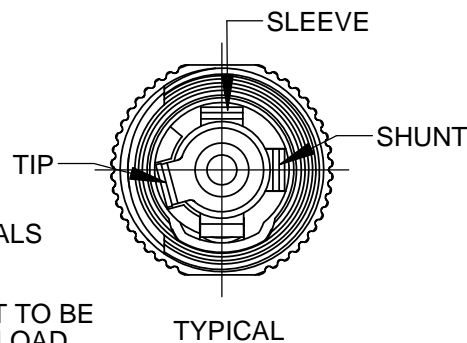
- HANDLE BLACK THERMOPLASTIC
- CABLE CLAMP THERMOPLASTIC
- FLEX RELIEF THERMOPLASTIC ELASTOMER
- BUSHING BLACK THERMOPLASTIC
- POWER JACK SEE POWER JACK FOR MATERIALS AND SPECIFICATIONS

2. THESE PARTS ARE CURRENT CARRY ONLY NOT TO BE USED FOR CONNECT OR DISCONNECT UNDER LOAD.

3. SHIPPED UNASSEMBLED

4. CABLE RANGE FOR FLEX: 0.220 TO 0.250 DIAMETER

5. THESE PARTS ARE RoHS COMPLIANT



REV	ECO NUMBER	DATE	BY	APVD
B	ECO 27932	8-28-17	SRC	TJK
A	ECO 27926	8-17-17	SRC	TJK
REVISIONS				

UNLESS OTHERWISE SPECIFIED				
1. ALL DIMENSIONS IN INCHES [mm]				
- TWO PLACE DECIMALS ±0.02 [0.5]				
- THREE PLACE DECIMALS ±0.005 [0.13]				
DO NOT SCALE DRAWING				

THIS DRAWING DESCRIBES A DESIGN CONSIDERED PROPRIETARY IN NATURE, DEVELOPED AND MANUFACTURED BY SWITCHCRAFT INC. AND IS RELEASED ON A CONFIDENTIAL BASIS FOR IDENTIFICATION PURPOSES ONLY.									
SIZE *	WIDTH *	MULT *	LBS/M *	TEMPER *					
FINISH *					MATERIAL *				
SPEC No. *					SPEC No. *				
FIRST USED ON *			SCALE 3:4						
DATE DRAWN	BY	CHKD	APVD						
12-28-16	SRC	SRC	TJK						
			8-10-17	8-17-17	SHEET 1 OF 1				
NAME CABLE POWER JACKS					PART No. L712AC-L722AC L712ACFL-L722ACFL			REV B	

**CUSTOMER DRAWING**