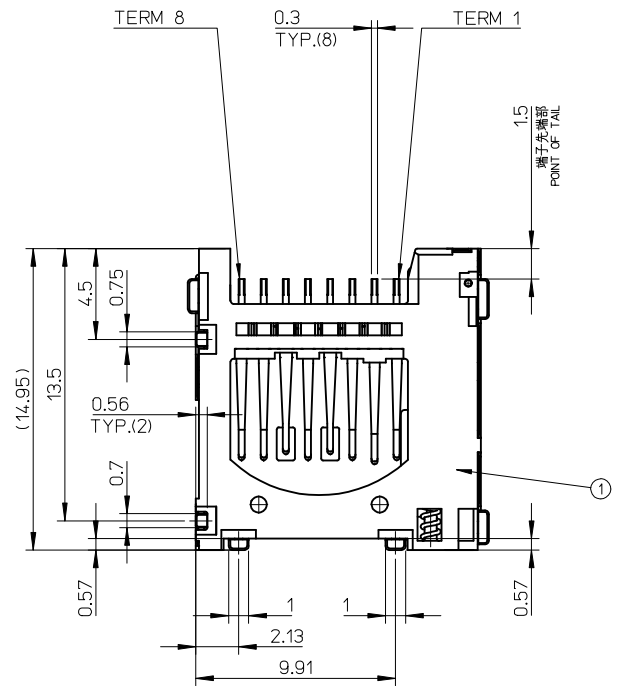


- TERM 1: DATA2
- TERM 2: CD/DAT3
- TERM 3: CMD
- TERM 4: vdd
- TERM 5: CLK
- TERM 6: vss
- TERM 7: DAT0
- TERM 8: DAT1



503182-0852	503182-0842	503182-08**
EMBOSSED TAPE	MATERIAL NO.	MODEL NO.
ORDER No. オーダー番号		

RELEASED EC NO: J2009-2810 DRWN:YNAITO 2009/06/15 CHKD:MTOMITA 2009/06/15 APPR:MSASAO 2009/06/15	GENERAL TOLERANCES (UNLESS SPECIFIED)		DIMENSION STYLE	SCALE	DESIGN UNITS	THIRD ANGLE PROJECTION	
	10 UNDER ±0.2		MM ONLY	4:1	METRIC		
	10 OVER 30 UNDER ±0.25		30 OVER ±0.3	DRAWN BY YNAITO DATE 2009/06/01		TITLE	
	ANGULAR ±1 °		DRAFT WHERE APPLICABLE MUST REMAIN WITHIN DIMENSIONS	CHECKED BY MTOMITA DATE 2009/06/01		MICRO SD CONN. NORMAL ULTRA LOW-PROFILE ASSY	
APPROVED BY MSASAO DATE 2009/06/01		MATERIAL NO.		MOLEX INCORPORATED DOCUMENT NO.		SHEET NO.	
SIZE A3		SEE CHART		SD-503182-003		1 OF 2	
THIS DRAWING CONTAINS INFORMATION THAT IS PROPRIETARY TO MOLEX INCORPORATED AND SHOULD NOT BE USED WITHOUT WRITTEN PERMISSION							

F

E

D

C

B

A

F

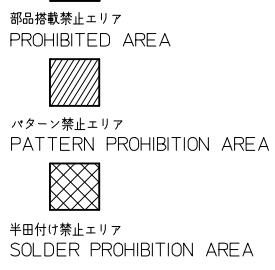
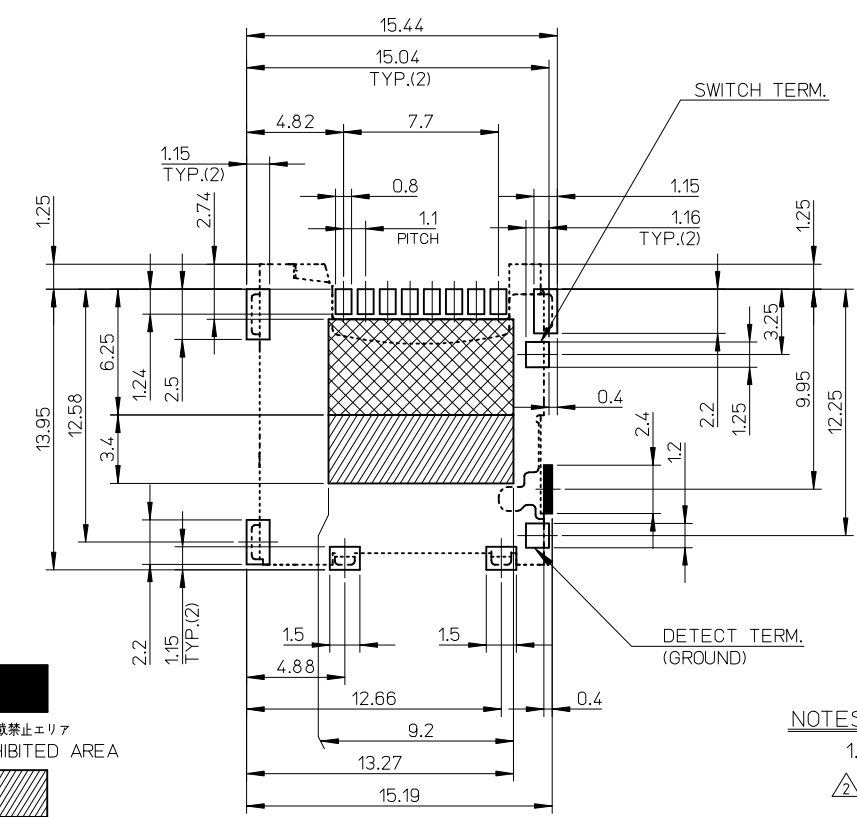
E

D

C

B

A



RECOMMENDED  
PCB PATTERN LAYOUT  
(GENERAL TOLERANCE : ±0.05)

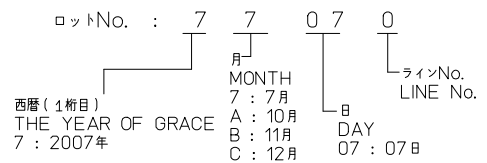
番号 No.	名称 NAME	材料 MATERIAL
①	ハウジング HOUSING	液晶ポリマー(LCP) LIQUID CRYSTAL POLYMER (LCP)
②	ターミナル TERMINAL	銅合金、接点部：金めっき 半田付部：錫めっき 下地：ニッケルめっき COPPER ALLOY, CONTACT AREA:GOLD TAIL AREA:TIN UNDER PLATING:NICKEL
③	メタルシェル METAL SHELL	ステンレス鋼、半田付部：金めっき 下地：ニッケルめっき STAINLESS STEEL, TAIL AREA:GOLD UNDER PLATING:NICKEL
④	カムスライダー CAM SLIDER	液晶ポリマー(LCP) LIQUID CRYSTAL POLYMER (LCP)
⑤	ディテクトネイル DETECT NAIL	銅合金、接点部：金めっき 半田付部：金めっき 下地：ニッケルめっき COPPER ALLOY, CONTACT AREA:GOLD TAIL AREA:GOLD UNDER PLATING:NICKEL
⑥	スイッチネイル SWITCH NAIL	銅合金、接点部：金めっき 半田付部：金めっき 下地：ニッケルめっき COPPER ALLOY, CONTACT AREA:GOLD TAIL AREA:GOLD UNDER PLATING:NICKEL
⑦	スプリング SPRING	ピアノ線 SWP
⑧	カムピン CAM PIN	ステンレス鋼 STAINLESS STEEL

CONFIDENTIAL

NOTES

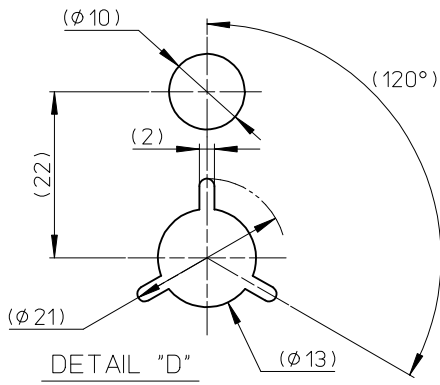
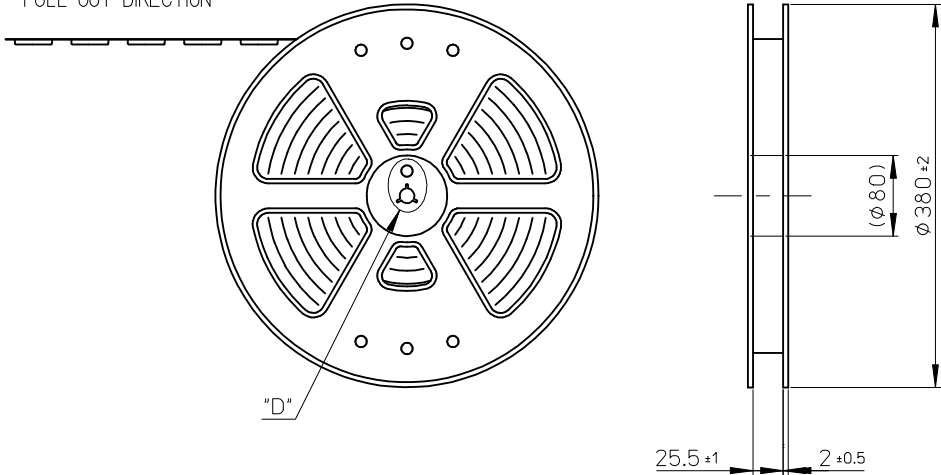
- ターミナル及びネイルの平坦度は0.1MAX.とする。  
COPLANARITY OF TERMINAL AND NAIL IS TO BE 0.1MAX.
- スタンドオフ寸法  
DIMENSIONS OF STAND OFF.
- ロット印字は任意とする  
LOT NUMBERING IS TO BE OPTIONAL.
- 肉抜き位置は任意とする。  
CAVITY IS TO BE OPTIONAL.
- カード検知スイッチ  
DETECT SWITCH
- ELV及びRoHS適合品  
ELV AND RoHS COMPLIANT.

カード挿入時 CARD INSERTING POSITION	クローズ CLOSED
カード未挿入時 NO CARD POSITION	オープン OPEN



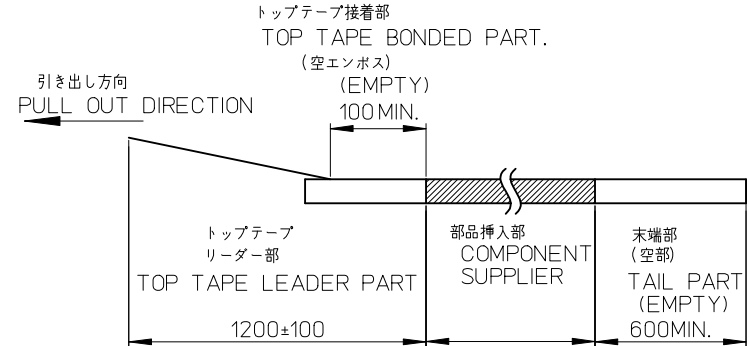
SEE SHEET 1 OF 2 EC NO: J2009-2810 DRW:YNAITO 2009/06/15 CHKD:MTOMITA 2009/06/15 APPR:MSASAO 2009/06/15	GENERAL TOLERANCES (UNLESS SPECIFIED)	DIMENSION STYLE MM ONLY	SCALE 4:1	DESIGN UNITS METRIC	THIRD ANGLE PROJECTION
	10 UNDER ±0.2	DRAWN BY YNAITO	DATE 2009/06/01	TITLE MICRO SD CONN. NORMAL ULTRA LOW-PROFILE ASSY	
	10 OVER 30 UNDER ±0.25	CHECKED BY MTOMITA	DATE 2009/06/01	MOLEX MOLEX INCORPORATED	
	30 OVER ±0.3	APPROVED BY MSASAO	DATE 2009/06/01	DOCUMENT NO. SD-503182-003	SHEET NO. 2 OF 2
ANGULAR ±1 ° DRAFT WHERE APPLICABLE MUST REMAIN WITHIN DIMENSIONS	MATERIAL NO. SEE CHART	THIS DRAWING CONTAINS INFORMATION THAT IS PROPRIETARY TO MOLEX INCORPORATED AND SHOULD NOT BE USED WITHOUT WRITTEN PERMISSION			

引き出し方向  
PULL OUT DIRECTION



NOTES

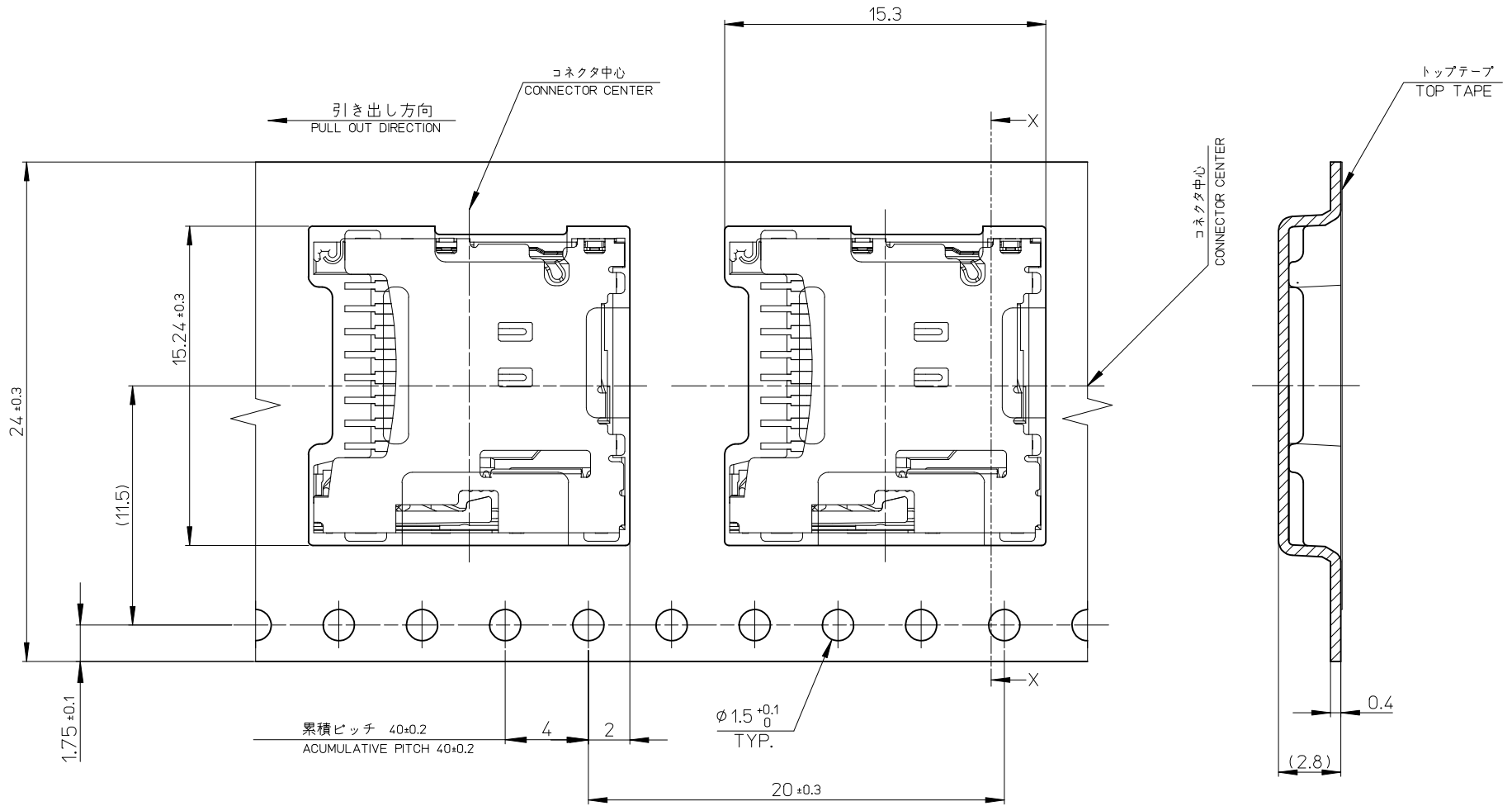
- 製品詳細寸法は製品単体図面を参照して下さい。  
FOR DETAIL OF CONNECTOR DIMENSIONS, PLEASE SEE THE DRAWING OF CONNECTOR ITSELF (NOT PACKAGED).
- 梱包数量: 1600個/リール  
NUMBER OF CONNECTORS: 1600 PCS/REEL.
- リードテープ長さ LEAD TAPE LENGTH.



- 材料 MATERIAL  
キャリアテープ(CARRIER TAPE): ポリスチレン (POLYSTYRENE)  
トップテープ(TOP TAPE): PET, PE, PEF  
リール(REEL): ポリスチレン(PS)<リサイクル材含む>  
POLYSTYRENE (PS)<RECYCLE MATERIAL CONTAINED>
- ELV AND RoHS COMPLIANT

503182-0842	503182-0852	503182-08**
CONNECTOR ONLY	MATERIAL NO.	MODEL NO.
ORDER No.	オーダー番号	MODEL NO.

RELEASED EC NO.: J2009-2810 DRWN: YNAITO 2009/06/15 CHKD: MTOMITA 2009/06/15 APPR: MSASAO 2009/06/15 A	GENERAL TOLERANCES (UNLESS SPECIFIED)	DIMENSION STYLE MM ONLY	SCALE ---	DESIGN UNITS METRIC	THIRD ANGLE PROJECTION
	10 UNDER ±0.2	DRAWN BY YNAITO	DATE 2009/06/01	TITLE MICRO SD CONN. ULTRA LOW-PRO EMBOSSED TAPE PACKAGE	
	10 OVER 30 UNDER ±0.25	CHECKED BY MTOMITA	DATE 2009/06/01	MOLEX INCORPORATED	
	30 OVER ±0.3	APPROVED BY MSASAO	DATE 2009/06/01	DOCUMENT NO. SD-503182-004	SHEET NO. 1 OF 2
ANGULAR ±1 °	MATERIAL NO. SEE CHART		THIS DRAWING CONTAINS INFORMATION THAT IS PROPRIETARY TO MOLEX INCORPORATED AND SHOULD NOT BE USED WITHOUT WRITTEN PERMISSION		
DRAFT WHERE APPLICABLE MUST REMAIN WITHIN DIMENSIONS					



SECTION. X-X

SEE SHEET 1 OF 2 EC NO: J2009-2810 DRWN:YNAITO 2009/06/15 CHKD:MTOMITA 2009/06/15 APPR:MSASAO 2009/06/15	GENERAL TOLERANCES (UNLESS SPECIFIED)		DIMENSION STYLE <b>MM ONLY</b>		SCALE <b>5:1</b>	DESIGN UNITS <b>METRIC</b>	THIRD ANGLE PROJECTION		
	10 UNDER	±0.2	DRAWN BY YNAITO	DATE 2009/06/01	TITLE <b>MICRO SD CONN.                  ULTRA LOW-PRO                  EMBOSSED TAPE PACKAGE</b>				
	10 OVER 30 UNDER	±0.25	CHECKED BY MTOMITA	DATE 2009/06/01	MOLEX INCORPORATED				
	30 OVER	±0.3	APPROVED BY MSASAO	DATE 2009/06/01	MATERIAL NO. SEE SHEET 1 OF 2		DOCUMENT NO. SD-503182-004	SHEET NO. 2 OF 2	
ANGULAR ±1 °	DRAFT WHERE APPLICABLE MUST REMAIN WITHIN DIMENSIONS		THIS DRAWING CONTAINS INFORMATION THAT IS PROPRIETARY TO MOLEX INCORPORATED AND SHOULD NOT BE USED WITHOUT WRITTEN PERMISSION						