

ZONE		REV.	SCR NUMBER	DESCRIPTION	BY	DATE	APPROVED
1		1		PRELIMINARY DESIGN	-	10/12/2015	DC

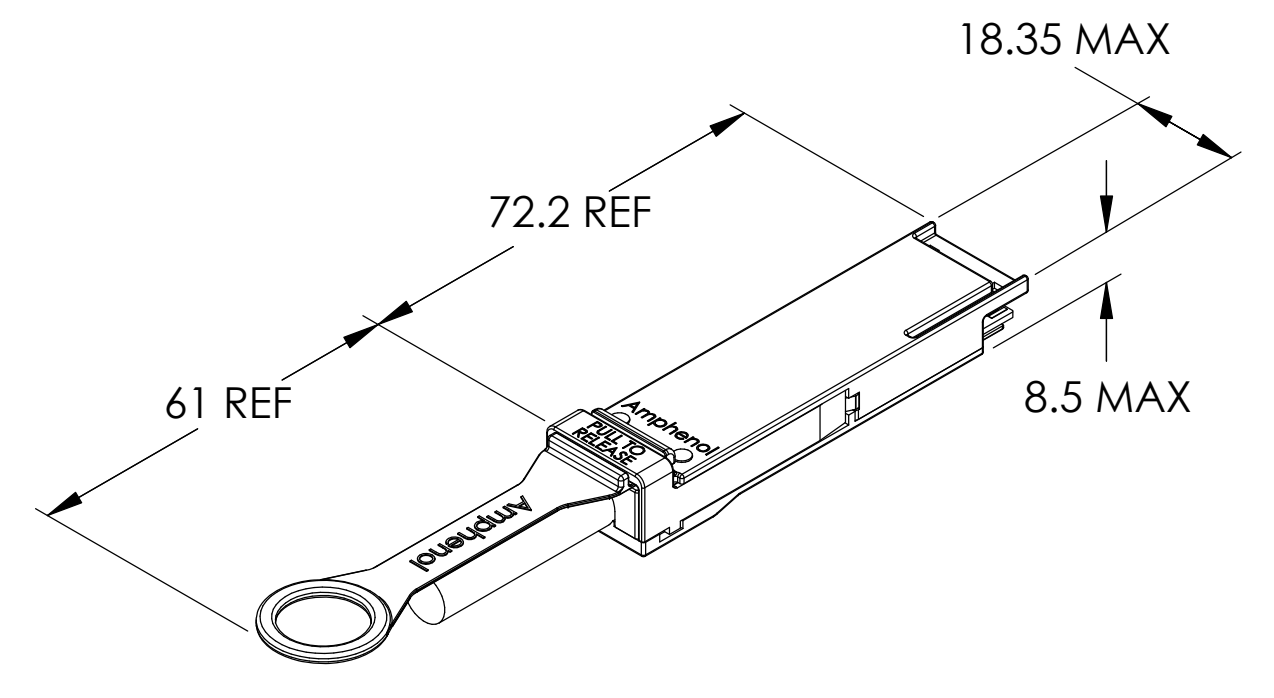
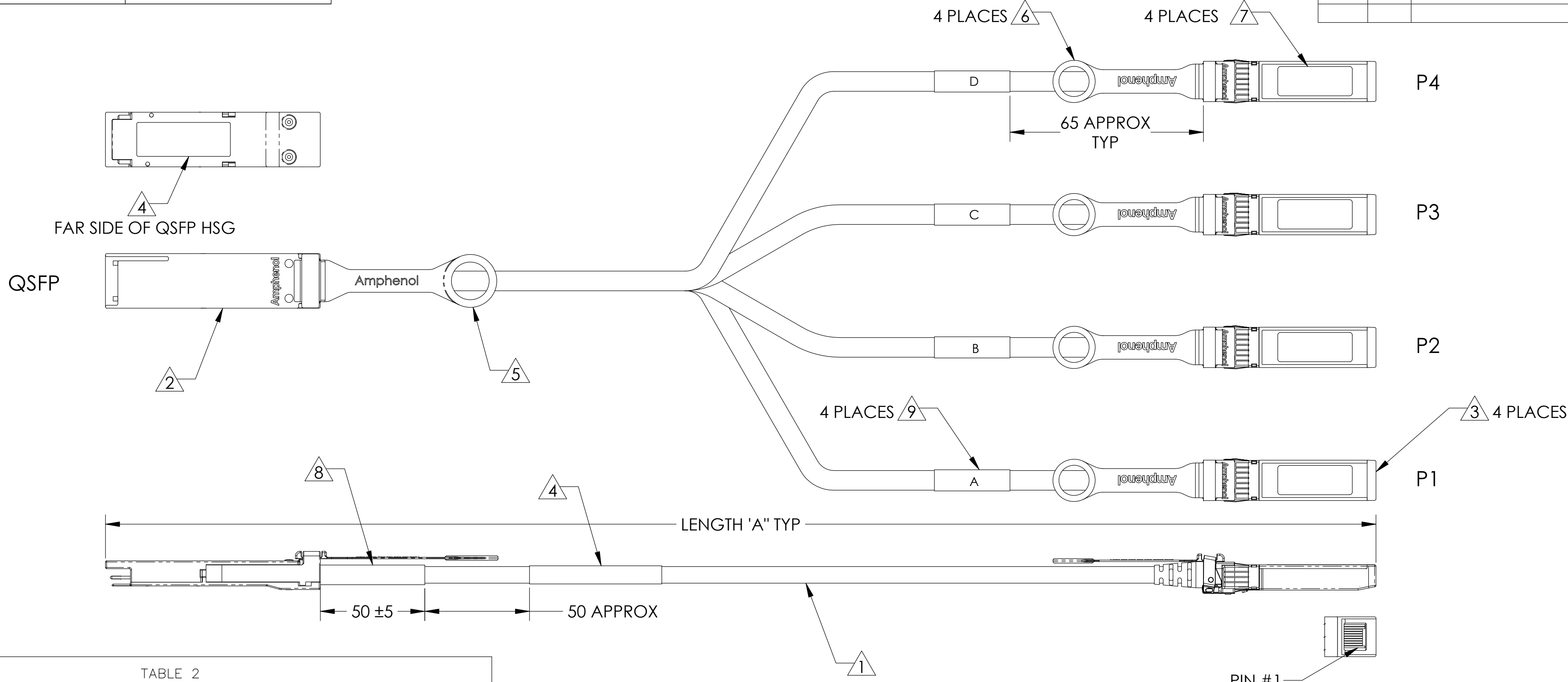
AHSP P/N	LENGTH "A"	CUSTOMER P/N
NDAQGF-C101	1000 ±25	SF-NDAQGF100G-001M
NDAQGF-C102	2000 ±50	SF-NDAQGF100G-002M
NDAQGF-C103	3000 ±75	SF-NDAQGF100G-003M

D

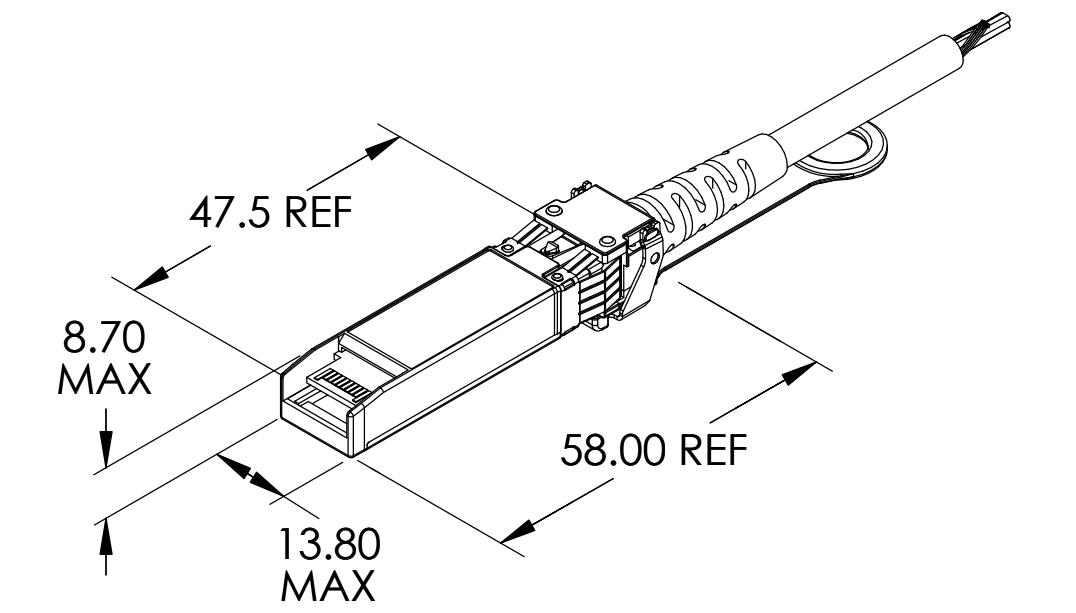
C

B

A

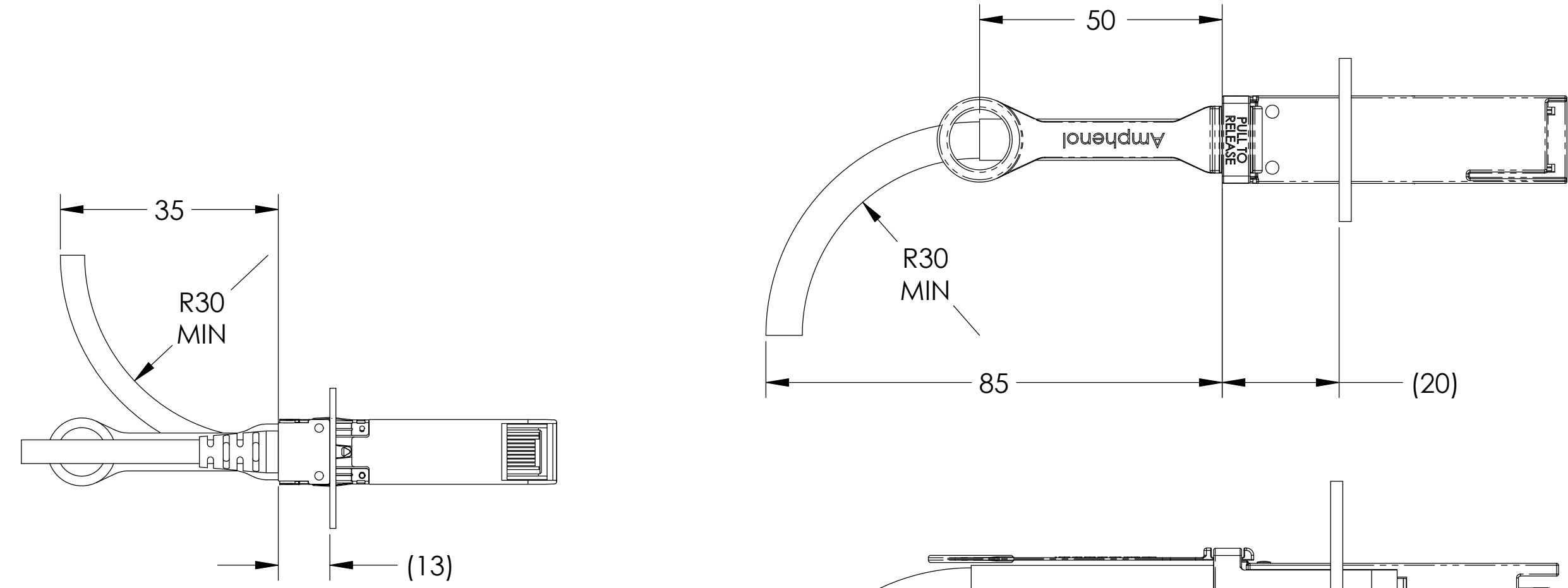


QSFP DIECAST DIMENSIONS

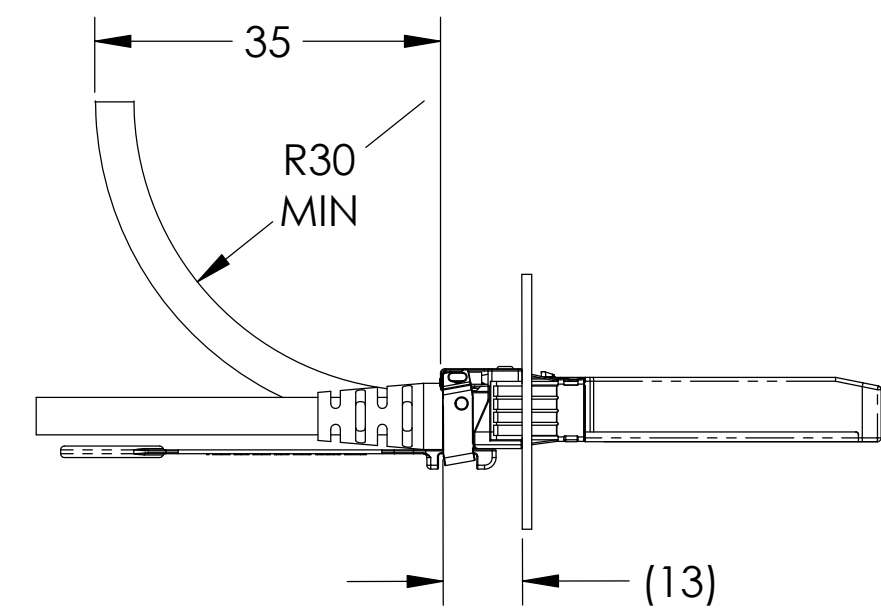


SFP+ DIECAST DIMENSIONS

ITEM No.	DESCRIPTION
1	30 AWG, 2-PR, PVC BLACK, UL CL2, CSA FT4, 75°C
2	PLUG, QSFP+, REFERENCE SFF-8661
3	PLUG, SFP+, REFERENCE SFF-8432, PULL TO RELEASE
4	LABEL, QSFP CONN - AHSP P/N, REV, DATE CODE, LENGTH, CoO & SERIAL NUMBER
5	QSFP LANYARD - GREEN (PANTONE 347C)
6	SFP+ LANYARD - GREEN (PANTONE 347C)
7	LABEL, SFP CONN - AHSP P/N, REV, DATE CODE, LENGTH, CoO & SERIAL NUMBER
8	SHRINK TUBING
9	LABEL, REFERENCE DESIGNATOR

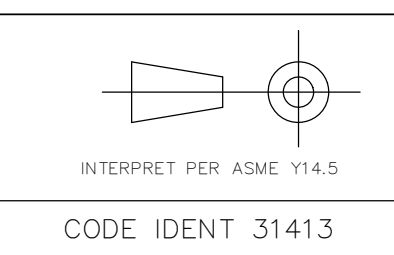


QSFP BEND DISTANCE FROM FACEPLATE



SFP+ BEND DISTANCE FROM FACEPLATE

- CABLE ASSEMBLIES SHALL BE TESTED PER AMPHENOL SPECIFICATIONS AND PROCEDURES.
 - CABLE ASSEMBLIES, COMPONENTS, SUB-COMPONENTS, MATERIALS AND MFG PROCESSES MUST MEET AMPHENOL SPECIFICATIONS.
 - UL LABEL MUST BE ON THE SHIPPING CARTON PER SUBJECT 764 OF THE UL COMPONENT WIRING HARNESS (ZPFW2) FILE #E86140. CSA LABEL MUST BE ON SHIPPING CARTON.
 - PACKAGE COMPLETED ASSY IN AN APPROPRIATELY SIZED ESD BAG.
 - EPROM CONTENT SHALL BE COMPLIANT WITH SFF -8636 AND SFF-8472 SPECIFICATIONS FOR 100GBASE-CR4. EPROM REVISION IS EQUAL TO AHSP PART NUMBER REVISION.
 - CABLE ASSEMBLIES MUST MEET SHIELDING EFFECTIVENESS REQUIREMENTS OF 35dB FROM 1-10GHz AND 30dB FROM 10-18GHz.
 - COMPLIANT TO EU DIRECTIVE 2011/65/EU - RoHS2.
 - ASSEMBLIES SHALL BE COMPLIANT TO 100GBASE-CR4 SPECIFICATION.
 - THIS DRAWING IS RESERVED FOR AMPHENOL CABLES ON DEMAND.
- NOTES: UNLESS OTHERWISE SPECIFIED



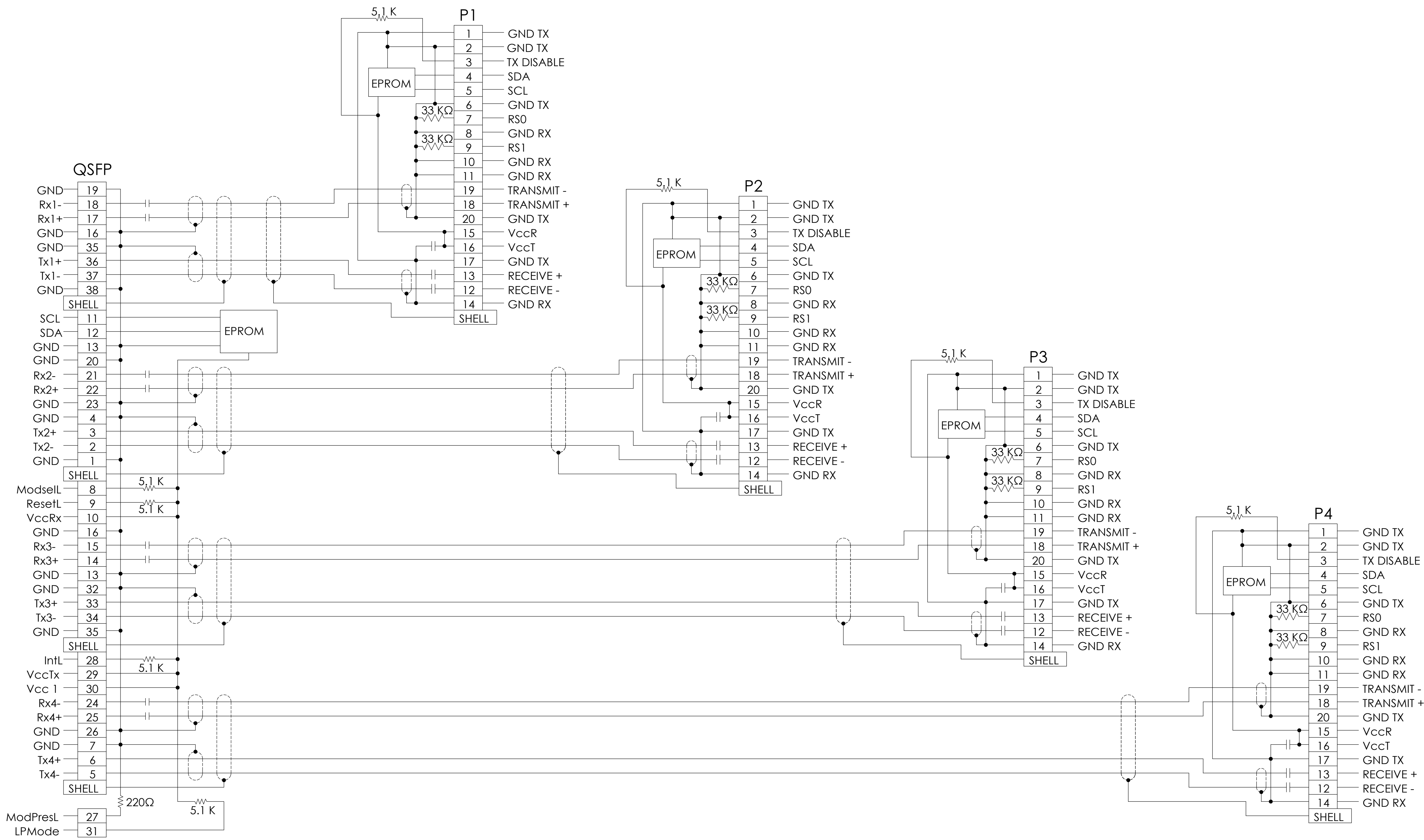
TOLERANCES	DWN	CHK	APVD	DATE	REV
0.0	± 0.25	10/12/2015	DC		
0.00	± 0.08	10/12/2015	DD		
ANGLES	± 1.0°	10/12/2015	EM		

UNLESS OTHERWISE SPECIFIED DIMENSIONS ARE IN MM.

THESE DRAWINGS AND SPECIFICATIONS ARE THE PROPERTY OF AMPHENOL CORPORATION AND SHALL NOT BE REPRODUCED OR COPIED OR USED AS THE BASIS FOR THE MANUFACTURE OR SALE OF APPARATUS WITHOUT THE WRITTEN PERMISSION OF AMPHENOL CORPORATION.

Amphenol AHSP	
A Division of Amphenol Corporation 200 Innovative Way, Suite 201, Nashua, N.H. 03062 (603) 879-3000	
TITLE	CABL ASSEMBLY, QSFP/(4)SFP+, PSV, 100G, 100GbE, 30AWG
PART NO.	SEE TABLE 3
DRAWING NO.	P-NDAQGF-C199
SIZE	D
SCALE	1:1
SHEET	1 OF 3

REVISIONS						
ZONE	REV.	SCR NUMBER	DESCRIPTION	BY	DATE	APPROVED
			SEE SHEET 1			



NOTE: DC BLOCKING CAP VALUE IS 0.1μF

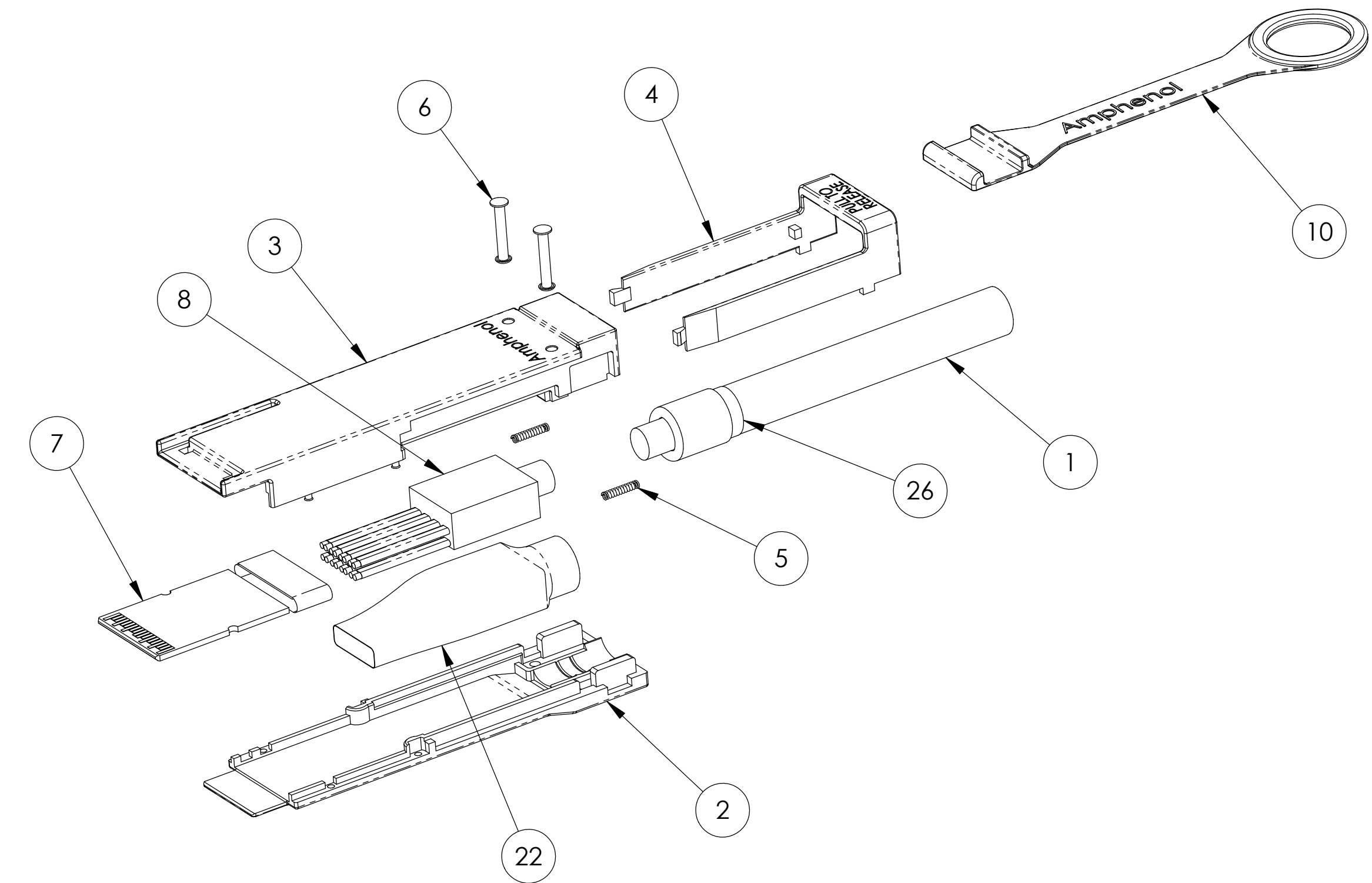
TOLERANCES	DWN	10/12/2015	Amphenol AHSP A Division of Amphenol Corporation 200 Innovative Way, Suite 201, Nashua, N.H. 03062 (603) 879-3000
0.0	± 0.25	DC	
0.00	± 0.08	CHK	10/12/2015
		DD	
		APVD	10/12/2015
ANGLES	± 1.0°	EM	
UNLESS OTHERWISE SPECIFIED DIMENSIONS ARE IN MM			
THESE DRAWINGS AND SPECIFICATIONS ARE THE PROPERTY OF AMPHENOL CORPORATION AND SHALL NOT BE REPRODUCED OR COPIED OR USED AS THE BASIS FOR THE MANUFACTURE OR SALE OF APPARATUS WITHOUT THE WRITTEN PERMISSION OF AMPHENOL CORPORATION			TITLE CABL ASSEMBLY, QSFP/(4)SFP+, PSV, 100Ω, 100GbE, 30AWG
INTERPRET PER ASME Y14.5 CODE IDENT 31413			PART NO. SEE TABLE 3
DRAWING NO. P-NDAQGF-C199			REV 1
SIZE	D	SCALE	1:1
		SHEET	2 OF 3

TABLE 3				
AHSP P/N	AHSP REV	CUT LENGTH "A"	MANUAL SOLDER	AUTO SOLDER
NDAQGF-C101	A	13.80 FT	YES	YES
NDAQGF-C102	A	27.60 FT	YES	YES
NDAQGF-C103	A	41.40 FT	YES	YES

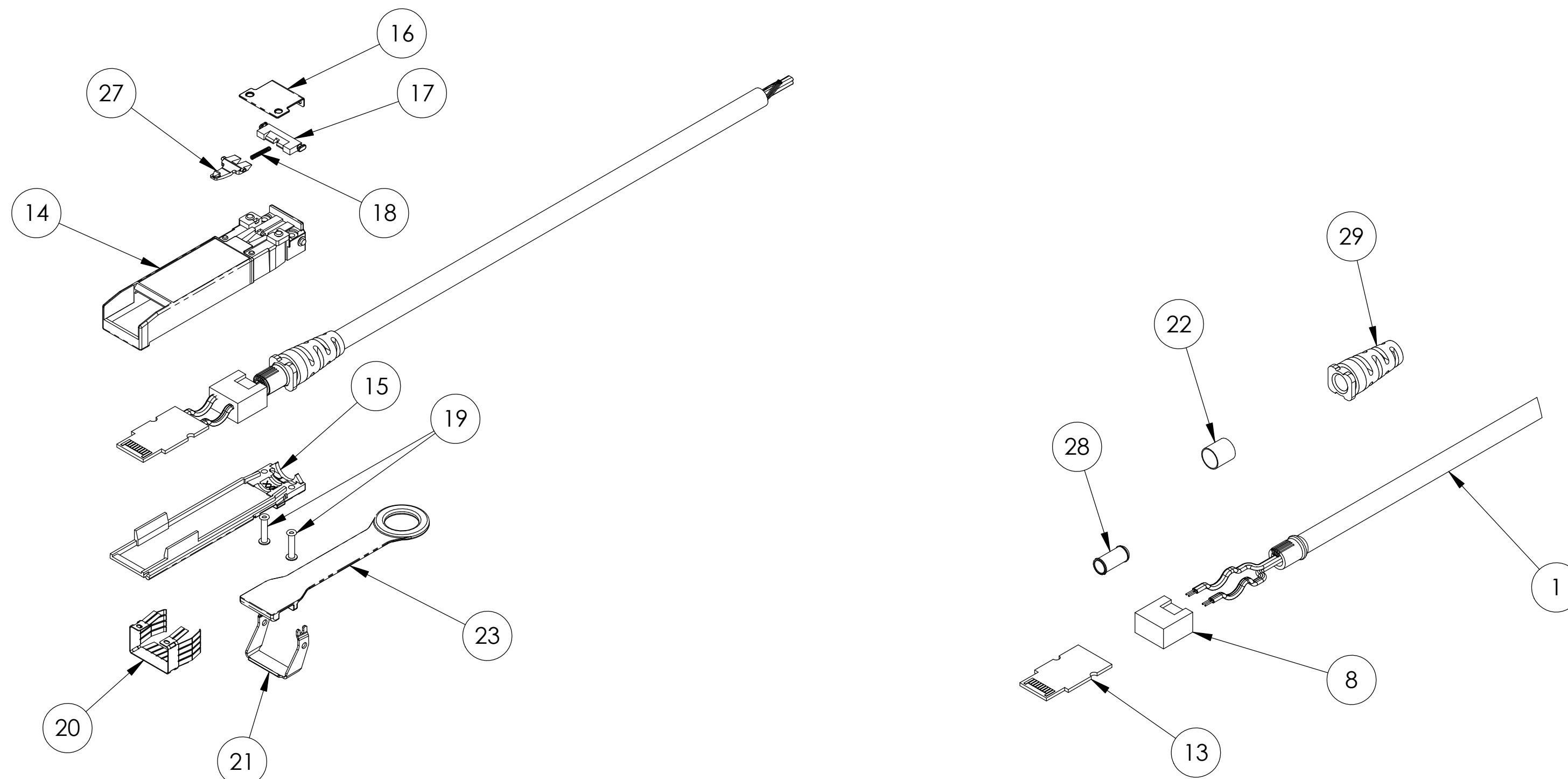
TABLE 5 - AMPHENOL SPECIFICATIONS	
ACS-1152	AMPHENOL REGULATED MATERIALS
ACS-1154	EPRM PROGRAMMING
ACS-1186	LEAD-FREE SOLDER
ACS-1199	HIGH SPEED ASSEMBLY TEST
TMS 115-0001	CABLE ASSEMBLY MFG PROCESS

REVISIONS						
ZONE	REV.	SCR NUMBER	DESCRIPTION	BY	DATE	APPROVED
			SEE SHEET 1			

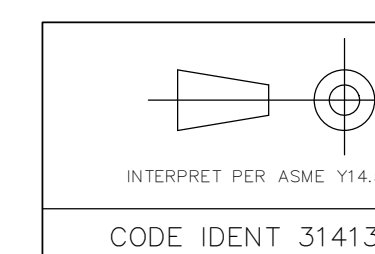
TABLE 4 - PART LIST FOR 30AWG ASSEMBLIES					
ITEM	AHSP P/N	AHSP P/N	DESCRIPTION	QTY	U of M
1	023-0010-035	1603099978	CBL RND 2PR 30G EXD	SEE CUT LENGTH "A" IN TABLE 3	FT
2	023-Q030-032	NA	CVR DIECAST QSFP .30 CBL	1	EA
3	023-Q020-105	NA	HSG DIECAST QSFP .30 CBL AMPHENOL LOGO	1	EA
4	023-Q120-001	602480001	LATCH RELEASE DIECAST QSFP COPPER	1	EA
5	023-0000-054	605480001	SPRING COMPRESSION	2	EA
6	023-0000-052	555880001	RIVET LOW PRO MINI-SAS	2	EA
7	023-Q075-006	NA	ASM PCB QSFP PASSIVE 30AWG EXD	1	EA
8	023-0000-015	532320001	ADH HOT MELT AMBER 430F 3M 3779-PG	0.01617	LB
9	527-4943-000	NA	AHSP STANDARD QSFP LABEL	1	EA
10	527-4945-000	NA	AHSP CABLE LABEL SPLITTER LEG INDICATOR	4	EA
11	023-Q130-002	613890001	DUST COVER QSFP BLUE	1	EA
12	023-Q080-025	587240025	LANYARD QSFP PULL TO RELEASE PANTONE 347C (GRN) AMPH 2.4	1	EA
13	023-P075-029	NA	PCBA SFP28 30AWG HAL-FREE	4	EA
14	023-P020-008	612440007	HSG DIECAST SFP .195 CBL	4	EA
15	023-P030-004	612420004	CVR DIECAST SPRING GND COPPER SFP AMPHENOL	4	EA
16	023-0000-042	606480001	CVR LATCH RLS SFP GEN2 SS301	4	EA
17	023-0000-043	606570001	LATCH RLS DIECAST SLIDE SFP GEN2	4	EA
18	023-0000-039	605560001	SPRING COMPRESSION SFP LEE C1006AA04M	4	EA
19	023-0000-035	580000001	RIVET SEMI-TUBULAR OVAL HEAD STEEL	8	EA
20	023-0000-036	601140001	GROUND FINGERS SFP 268 BRASS	4	EA
21	023-P000-001	613250001	BALE RELEASE (U-CLIP) SFP+ SS304	4	EA
22	023-0000-017	24832	TAPE COPPER 1/4 CONDUCTIVE CCH-36-101-0025	0.40	FT
23	023-0080-025	NA	LANYARD SFP PULL TO RELEASE GRN AMPH 2.0"	4	EA
24	023-0130-001	613880001	DUST COVER SFP BLUE	4	EA
25	527-4944-000	NA	AHSP STANDARD PLUG LABEL SFP	4	EA
26	023-0000-016	24831	TAPE COPPER 1/2 CONDUCTIVE CCH-36-101-0050	0.56	FT
27	023-0000-038	605160002	LATCH POST DIECAST SFP RETRACTABLE	4	EA
28	023-0110-001	613450001	FERRULE INNER C3600 BRASS AMPHENOL	4	EA
29	023-S100-004	615280004	STRAIN RELIEF SHORT EMC 28G .190	4	EA
30	800-1221-004	486350004	SHK TBG 5/8 POLY ATUM BL RAYCHEM 4:1 SIZE 16/4	0.167	FT
31	800-0138-107	C1518107	SHK TBG 3/8 POLY TW BLK RAYCHEM V4 3/8 BLK UL	0.0417	FT
32	527-4986-000	NA	ACD CUST BAG LABEL	1	EA



QSFP EXPLODED VIEW



SFP+ EXPLODED VIEW



CODE IDENT 31413

TOLERANCES		DWN	10/12/2015	Amphenol AHSP	
0.0	± 0.25	DC	10/12/2015	A Division of Amphenol Corporation	
0.00	± 0.08	CHK	10/12/2015	200 Innovative Way, Suite 201, Nashua, N.H. 03062 (603) 879-3000	
	±	DD	10/12/2015	TITLE	
ANGLES	± 1.0°	APVD	EM	CABL ASSEMBLY, QSFP/(4)SFP+, PSV, 100G, 100GbE, 30AWG	
UNLESS OTHERWISE SPECIFIED DIMENSIONS ARE IN MM.				PART NO.	
THESE DRAWINGS AND SPECIFICATIONS ARE THE PROPERTY OF AMPHENOL CORPORATION AND SHALL NOT BE REPRODUCED OR COPIED OR USED AS THE BASIS FOR THE MANUFACTURE OR SALE OF APPARATUS WITHOUT THE WRITTEN PERMISSION OF AMPHENOL CORPORATION				SEE TABLE 3	
				DRAWING NO.	
				P-NDAQGF-C199	
				REV	
				1	
SIZE D		SCALE 1:1		SHEET 3 OF 3	