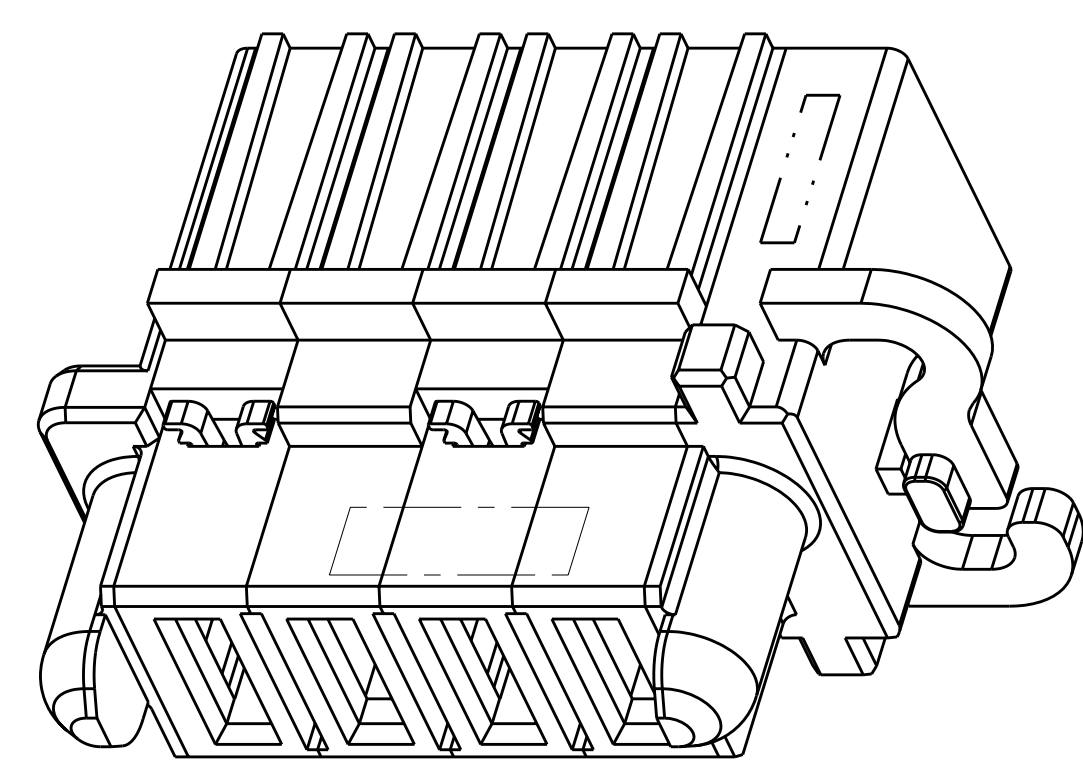
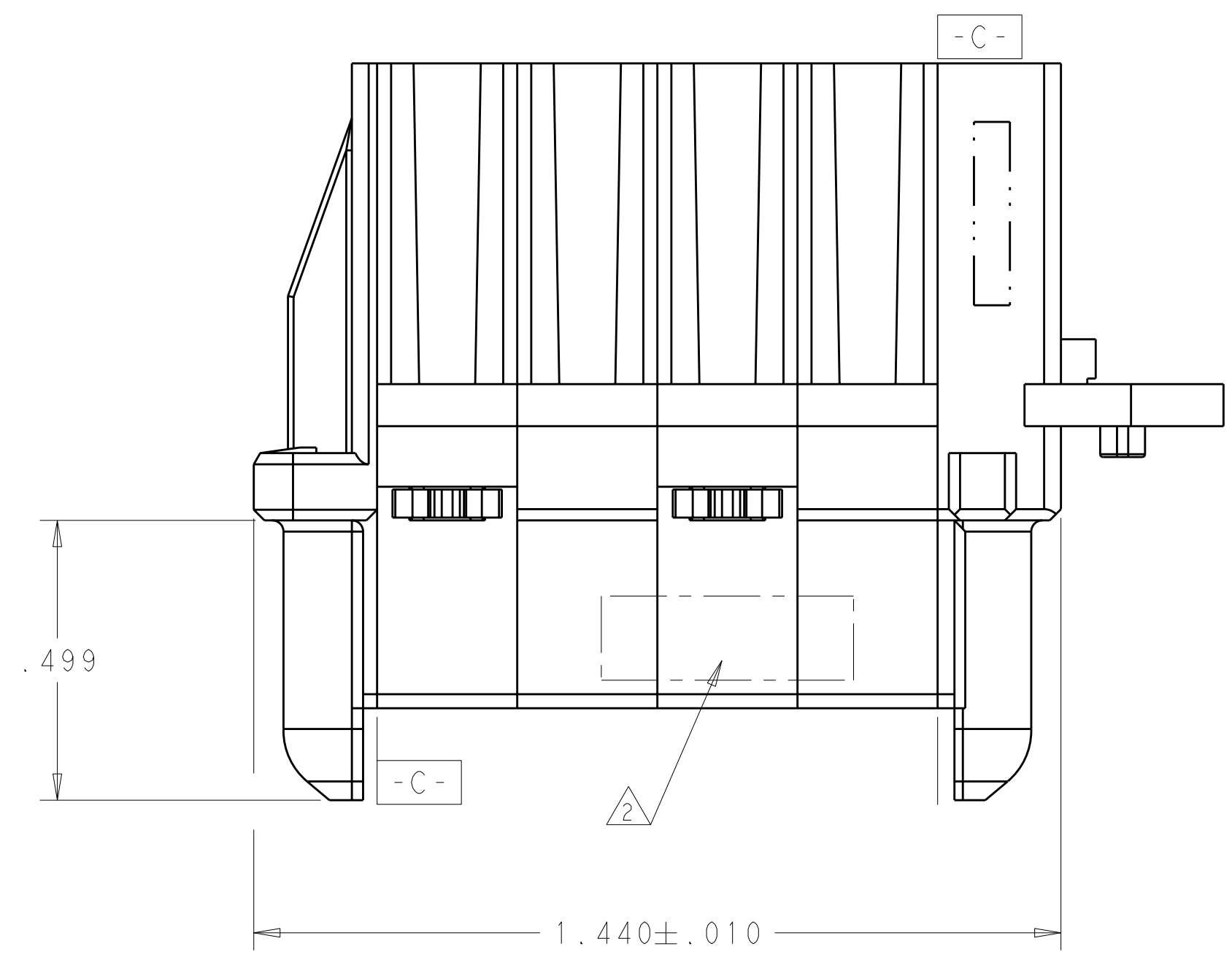


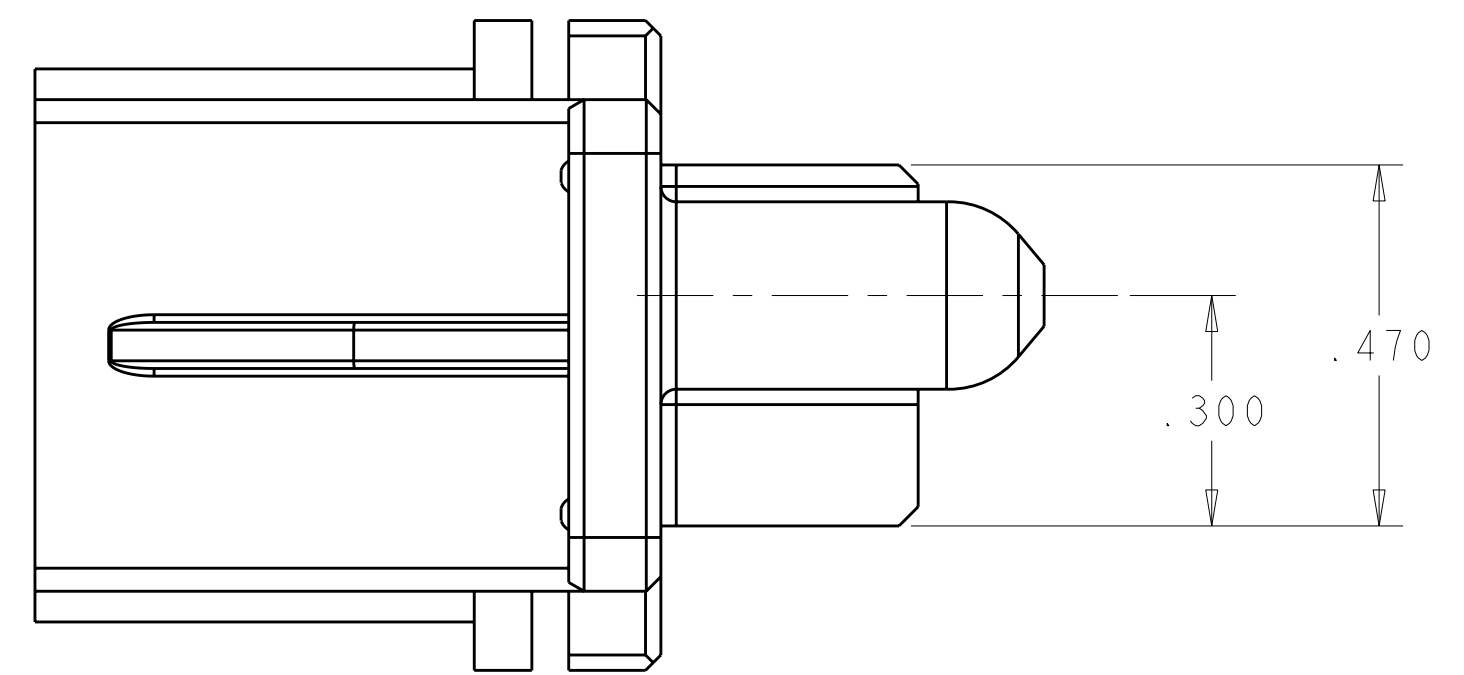
LOC	DIST	REVISIONS					
ES	00	P	LTN	DESCRIPTION	DATE	DWN	APVD
		1		PROPOSAL DRAWING	12MAR2010	IL	SY
		A		REV PER ECR-10-005525	18MAR2010	IL	SY



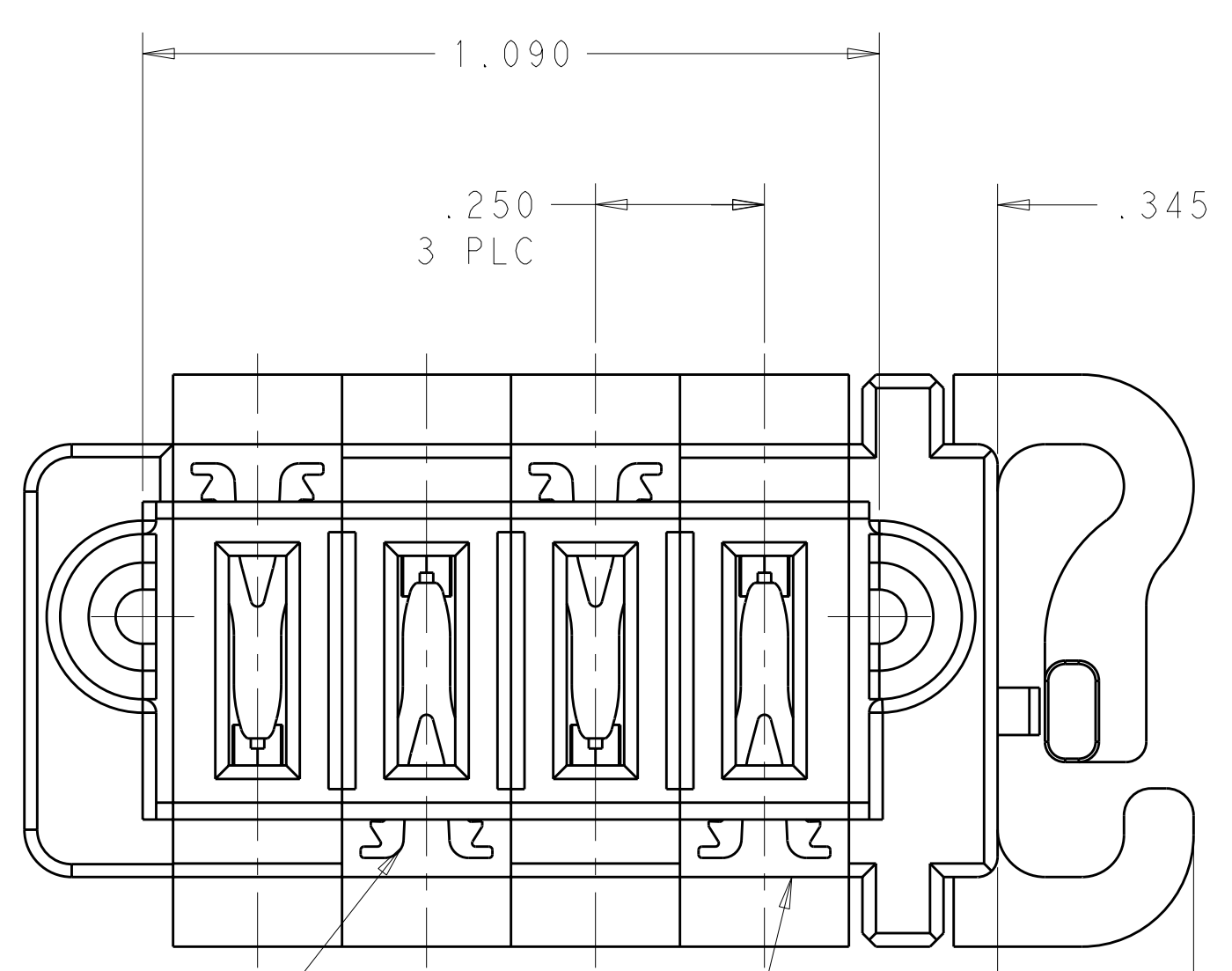
ISOMETRIC VIEW



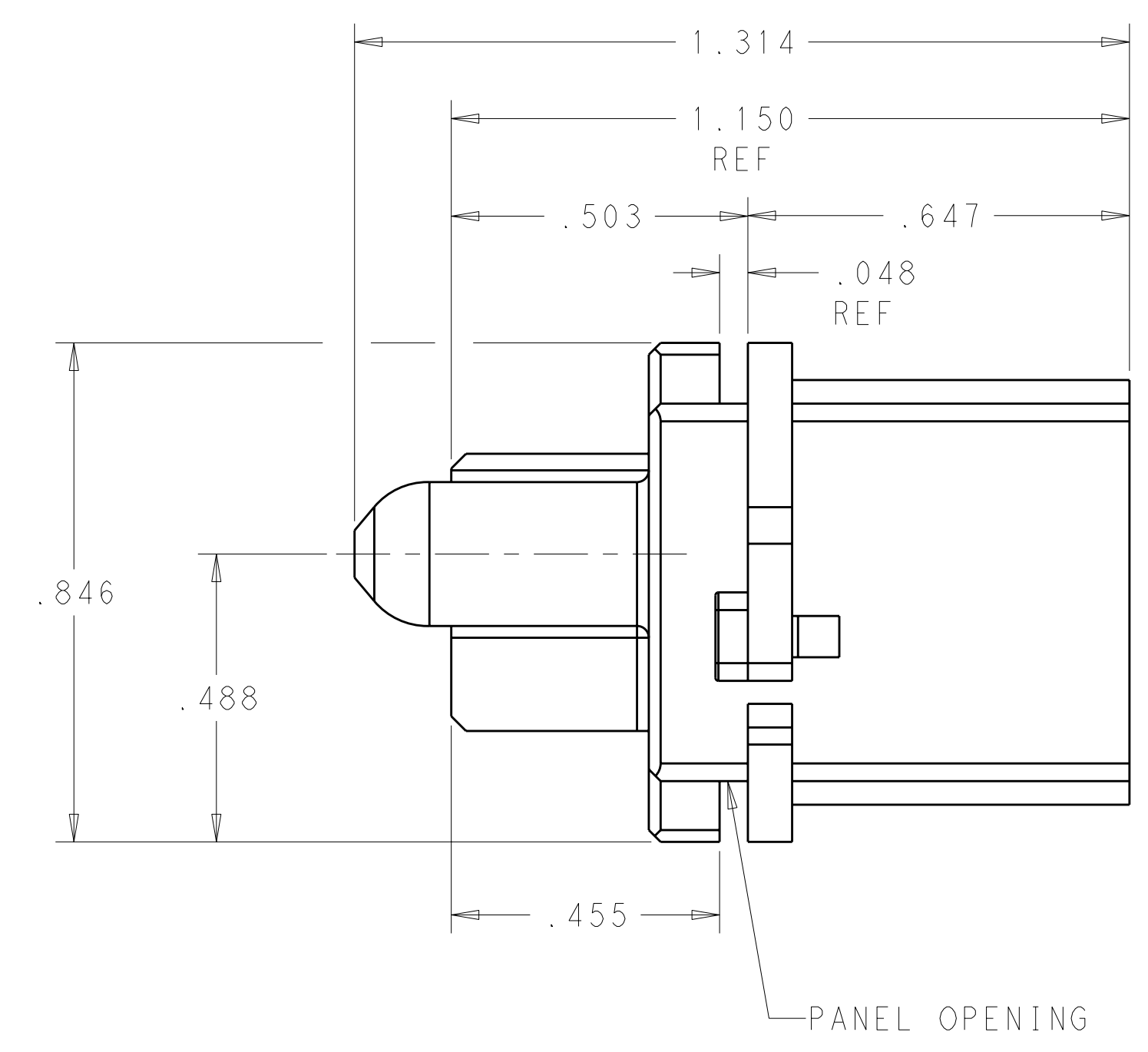
- ⚠ MATERIAL: THERMO PLASTIC, UL94 V-0.
- ⚠ COMPANY TRADEMARK, PART NUMBER, AND DATE CODE TO BE MARKED IN AREA SHOWN.
- ⚠ PANEL THICKNESS = .040 ± .005
- ⚠ CONNECTOR KEEP OUT ZONE.
- ⚠ POWER CONTACT REFERENCE:
 PART NUMBER: 1600960 & 1600961
 MATERIAL: COPPER ALLOY
 FINISH (INTERFACE): .0000030 Au OVER .0000050 Ni



REF: POWER SECONDARY LOCK
 PART NUMBER: 1600903-1



POWER POSITION 1



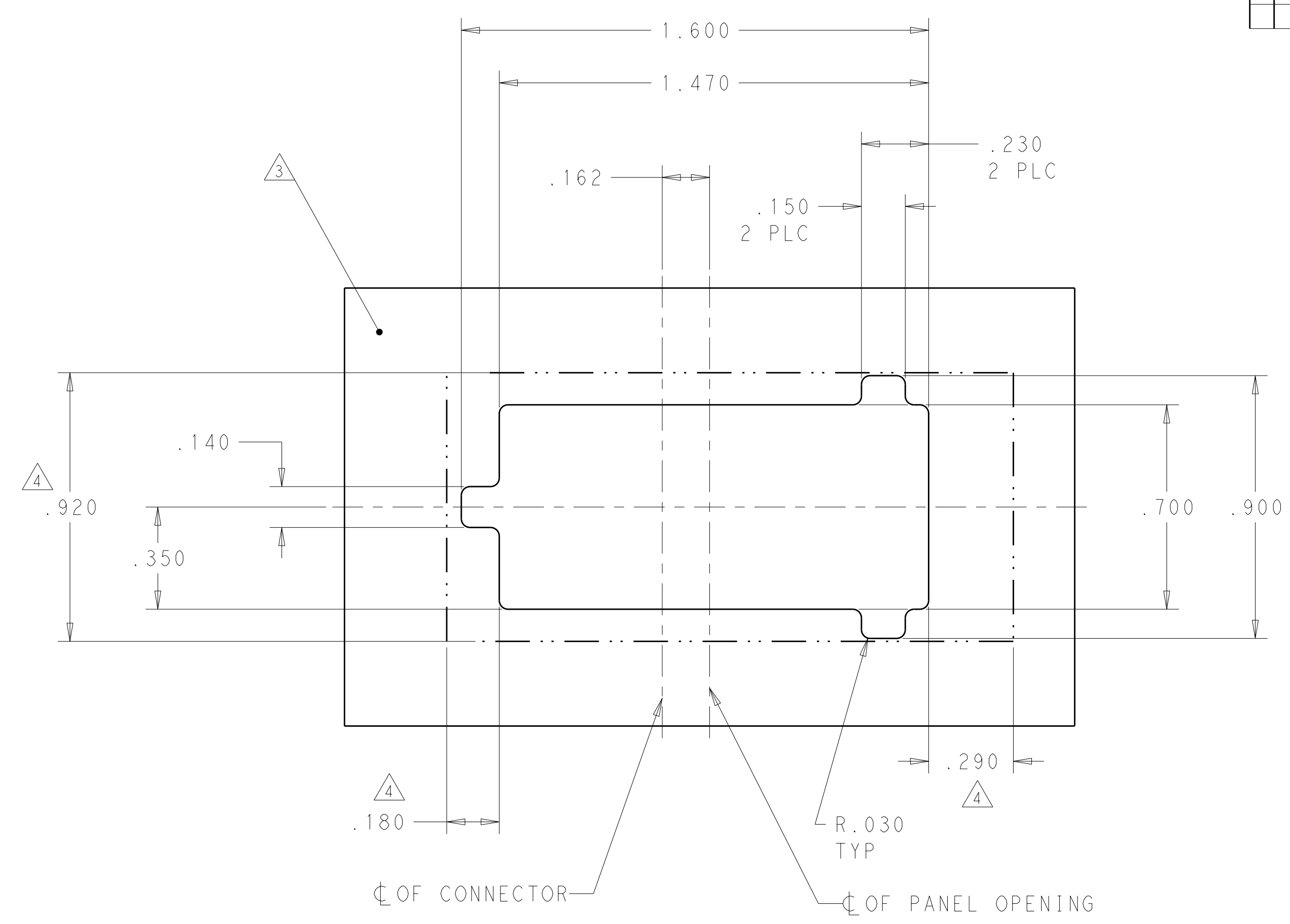
PANEL OPENING

4P	1892981-1
DESCRIPTION	PART NUMBER

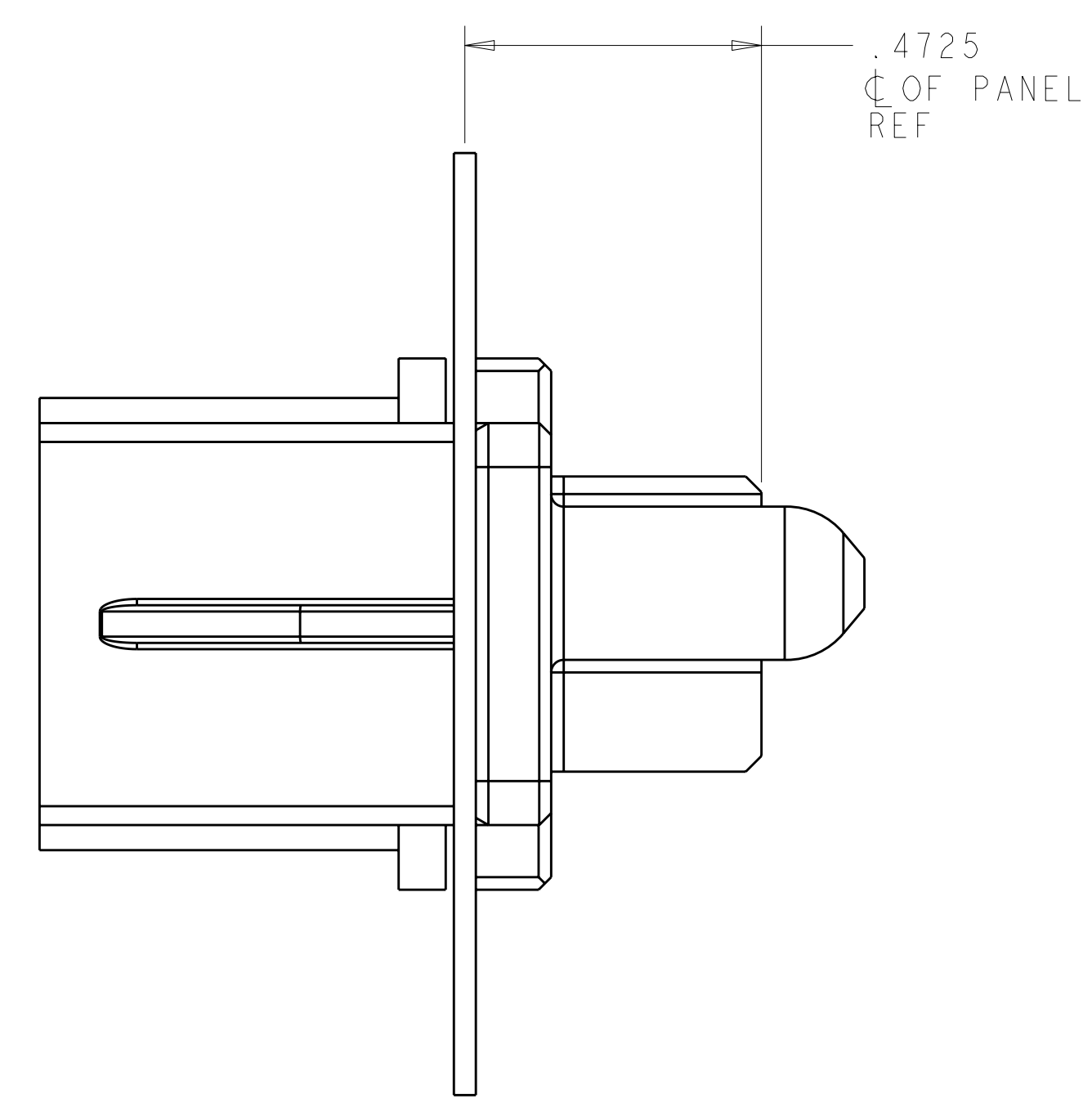
<small>THE INFORMATION IS CONTAINED HEREIN IS UNCLASSIFIED EXCEPT WHERE SHOWN OTHERWISE. IT IS SUBJECT TO CHANGE WITHOUT NOTICE AND WITHOUT LIABILITY. CONTACT THE ISSUING OFFICE FOR THE LATEST REVISION.</small>		DWN	12MAR2010	 Tyco Electronics Corporation Shanghai, P.R.China, 200233	
DIMENSIONS:		CHK	12MAR2010		
INCHES		APVD	12MAR2010		
TOLERANCES UNLESS OTHERWISE SPECIFIED: 9 PLC ±. 7 PLC ±. 5 PLC ±. 4 PLC ±.005 ANGLES ±.0020 FINISH ±.0020		NAME	S. YAO		
MATERIAL: - FINISH: -		PRODUCT SPEC		NAME	SLIDE TO LOCK PANEL MOUNT CABLE RECEPTACLE HOUSING WITH SLIM GUIDES, MULTI-BEAM XLE
		APPLICATION SPEC		SIZE	CAGE CODE DRAWING NO
		WEIGHT		A100779	C=1892981
		CUSTOMER DRAWING		SCALE	4:1 SHEET 1 OF 2 REV A

LOC	DIST	REV	DATE	BY	APPD
ES	00				
REVISIONS			DESCRIPTION	DATE	DWN
-			SEE SHEET 1	-	-

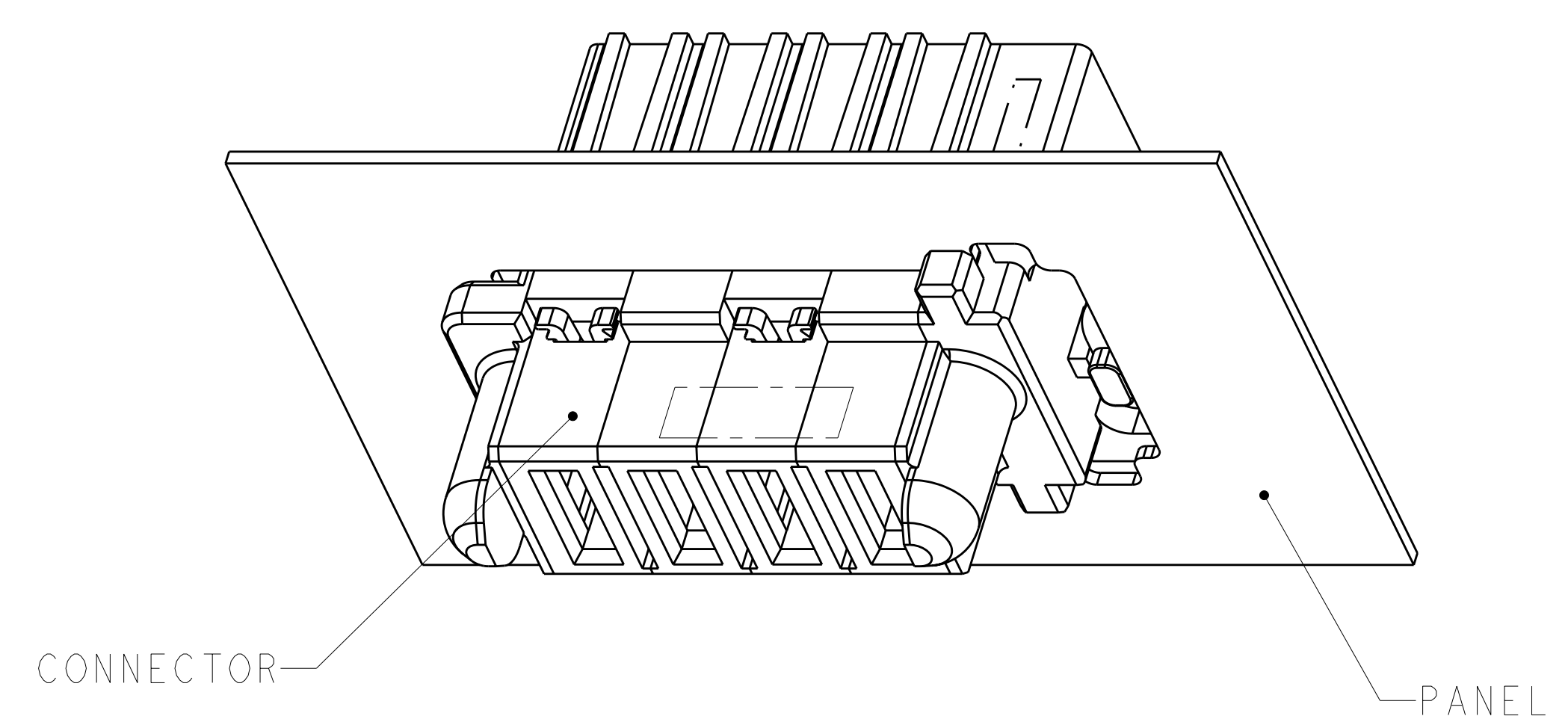
PART NUMBER	POWER			
	P4	P3	P2	P1
1892981-1	RA	RA	RA	RA
4P				



PANEL LAYOUT



SCALE 4:1



RM	STANDARD POWER CONTACT
RA	MFBL POWER CONTACT
CODE	DESCRIPTION
	CONTACT TABLE

DIMENSIONS: INCHES 		TOLERANCES UNLESS OTHERWISE SPECIFIED: 0 PLC ± 1 PLC ± 2 PLC ± 3 PLC ±.005 4 PLC ±.0020 ANGLES ±2° FINISH		DWN L LEE 12MAR2010 CHK S ZHAO 12MAR2010 APVD S YAO 12MAR2010	Tyco Electronics Corporation Shanghai, P.R.China, 200233
MATERIAL: - FINISH: -		NAME: SLIDE TO LOCK PANEL MOUNT CABLE RECEPTACLE HOUSING WITH SLIM GUIDES, MULTI-BEAM XLE PRODUCT SPEC: - APPLICATION SPEC: -		SIZE: A100779 C=1892981 WEIGHT: - CUSTOMER DRAWING	
SCALE 4:1		SHEET 2 OF 2		REV A	