

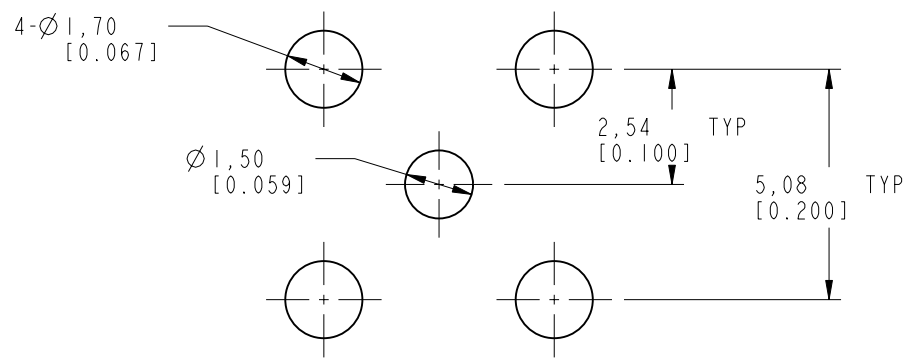
NOTES:

1. MATERIALS AND FINISHES:
 BODY - STAINLESS STEEL, GOLD PLATING
 CONTACT - BERYLLIUM COPPER, GOLD PLATING
 INSULATOR - PTFE
2. ELECTRICAL:
 A. IMPEDANCE: 50 OHM
 B. DIELECTRIC WITHSTANDING VOLTAGE: 1500 VRMS, MAX.
3. MECHANICAL:
 A. DURABILITY: 500 CYCLES MIN.
 B. TEMPERATURE RANGE: -65° C TO +165° C
4. PACKAGING:
 A. QUANTITY: SINGLE PACK
 B. MARKING: BAG TO BE MARKED
 "AMPHENOL RF, 901-144-2, AND DATE CODE"
5. SOLDER POSTS AND CONTACT SHALL BE LEAD FREE SOLDER DIPPED TO WITHIN 0.64mm [0.025"] OF BODY.

THIRD ANGLE PROJ.

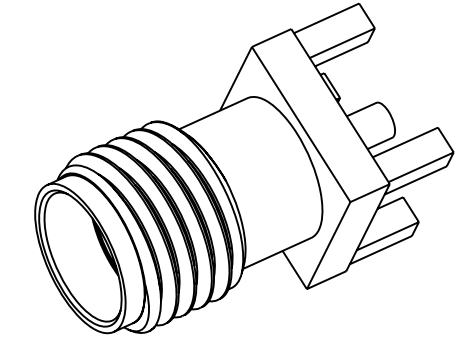
REVISIONS

REV	DESCRIPTION	DATE	ECO	APPR
A	OFFICIAL ENG. RELEASE TO MFG.	7/9/90	37348	PB
G	REDRAWN PRO/E; SEE ECO FOR MORE INFORMATION	6/13/96	41421	RF/BG
H	ITEM 1 WAS 901-6842-2GY	8/2/00	43379	CPM
J	NOTE 4 WAS 60/40 SOLDER	2/3/06	45906	CPM
K	ADDED SHEET 2	7/29/09	47526	BM
L	DRAWING IS RELEASED IN ARFA	05-Mar-10	-	S.H
M	SYNCH THE DRAWING WITH DANBURY\RD-DM11031401R3	02-Apr-11	48528	ROSE

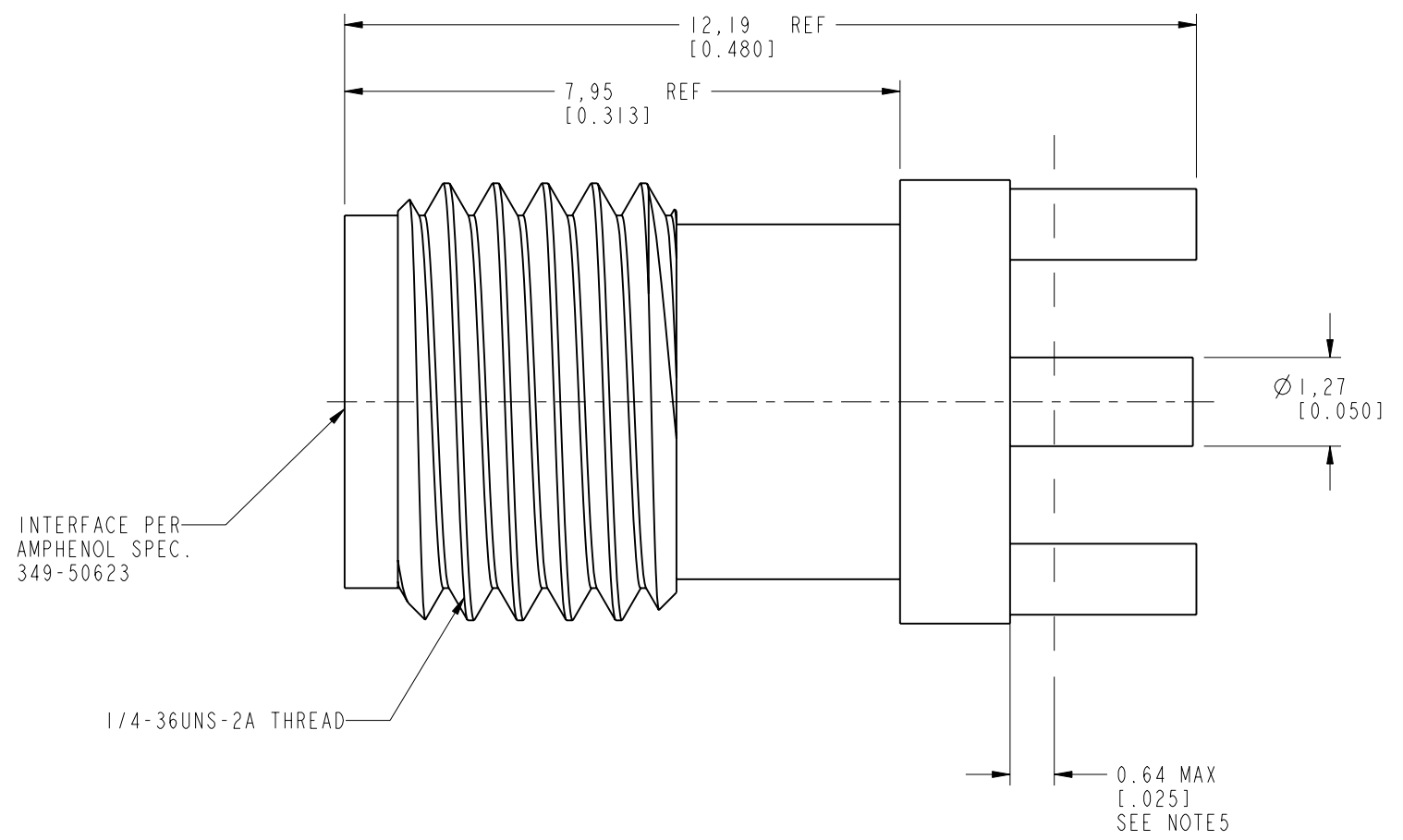


RECOMMENDED MOUNTING HOLE DIMENSIONS

SCALE 6.000

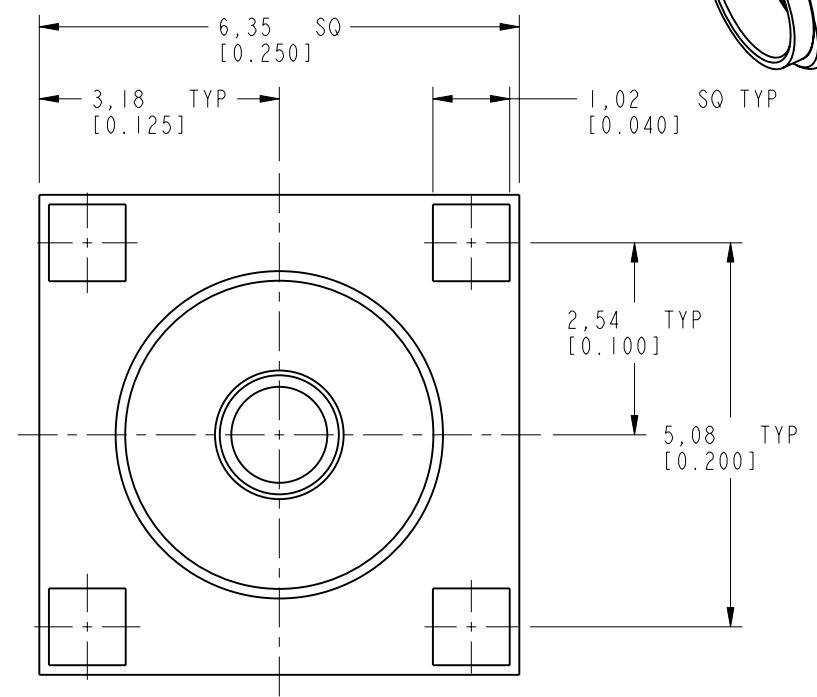


SCALE 4.000



INTERFACE PER AMPHENOL SPEC. 349-50623

1/4-36UNS-2A THREAD



CUSTOMER OUTLINE DRAWING

ALL OTHER SHEETS ARE FOR INTERNAL USE ONLY

UNLESS OTHERWISE SPECIFIED, DIMENSIONS ARE IN METRIC AND TOLERANCES ARE: <0.5mm ±0.05mm 0.5 - 6mm ±0.1mm 6 - 30mm ±0.2mm 30 - 120mm ±0.3mm ANGLES ±1°	MATERIAL	DRAWN	DATE	TITLE SMA (FEMALE) PCB RECEPTACLE	Amphenol RF Danbury CT USA, Tainan, Taiwan, Shenzhen, China www.amphenolrf.com	
	-	ROSE.MAO	02-Apr-11			
NOTICE - These drawings, specifications, or other data (1) are, and remain the property of Amphenol corp. (2) must be returned upon request; and (3) are confidential and not to be disclosed to any person other than those to whom they are given by Amphenol Corp. the finishing of these drawings, specifications, or other data by Amphenol Corp., or to any other person to anyone for any purpose is not to be regarded by implication or otherwise in any manner licensing, granting rights to permitting such holder or any other person to manufacture, use or sell any product, process or design, patented or otherwise, that may in any way be related to or disclosed by said drawings, specifications, or other data.	REFERENCE	ENGINEER	DATE	SCALE: 10.0:1.0 SHEET 2 OF 2	DRAWING NO. 901-144-2	
	EAR 111-961820	P. BRENZEL	6-18-90		DWG SIZE B REV M	ITEM NO. 901-144-2
	ALCATEL	APPROVED	DATE			PART NO. 901-144-2
	357-7574-040 REV G	DANIEL	02-Apr-11			
GEN#ASSYFI_SMA	CAD FILE					
FINISH	Root Folder/SMA/901-144-2					