

MODEL:

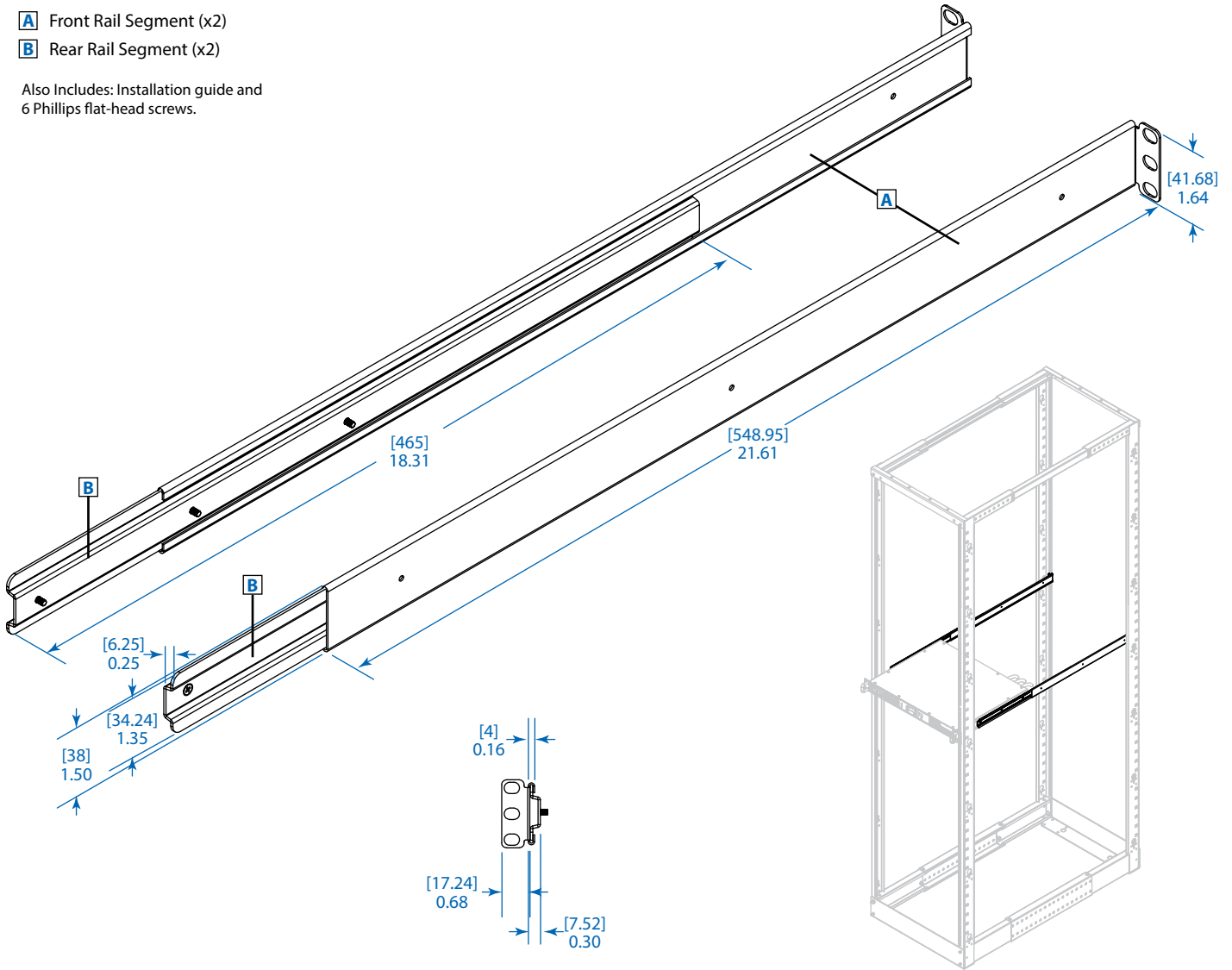
PDU4PKIT

Rear Support Rail Kit for Select Tripp Lite 1U ATS PDUs

A Front Rail Segment (x2)

B Rear Rail Segment (x2)

Also Includes: Installation guide and 6 Phillips flat-head screws.



- Allows select rack-mounted 1U ATS PDUs to support heavy plugs and power cables hanging from their rear panel without sagging under the weight
- Compatible with EIA-standard 4-post racks and enclosures
- Compatible with rack depth settings from 22.8 to 36 in. (579 to 914 mm)

Specifications

Model	PDU4PKIT
Unit Dimensions (H x W x D)	1.72 x 1 x 21.75 in. (43.7 x 25.4 x 552.5 mm)
Shipping Dimensions	2.5 x 2.75 x 25.2 in. (63.5 x 69.9 x 640.1 mm)
Unit Weight	2 lb. (0.9 kg)
Shipping Weight	2.23 lb. (1.01 kg)
Standards	RoHS

Tripp Lite has a policy of continuous improvement. Specifications are subject to change without notice.



1111 W. 35th Street
Chicago, IL 60609 USA
773.869.1234
www.tripplite.com