

# Customer Information Sheet

DRAWING No.: M7680-XX - M7683-XX

SHEET 2 OF 2

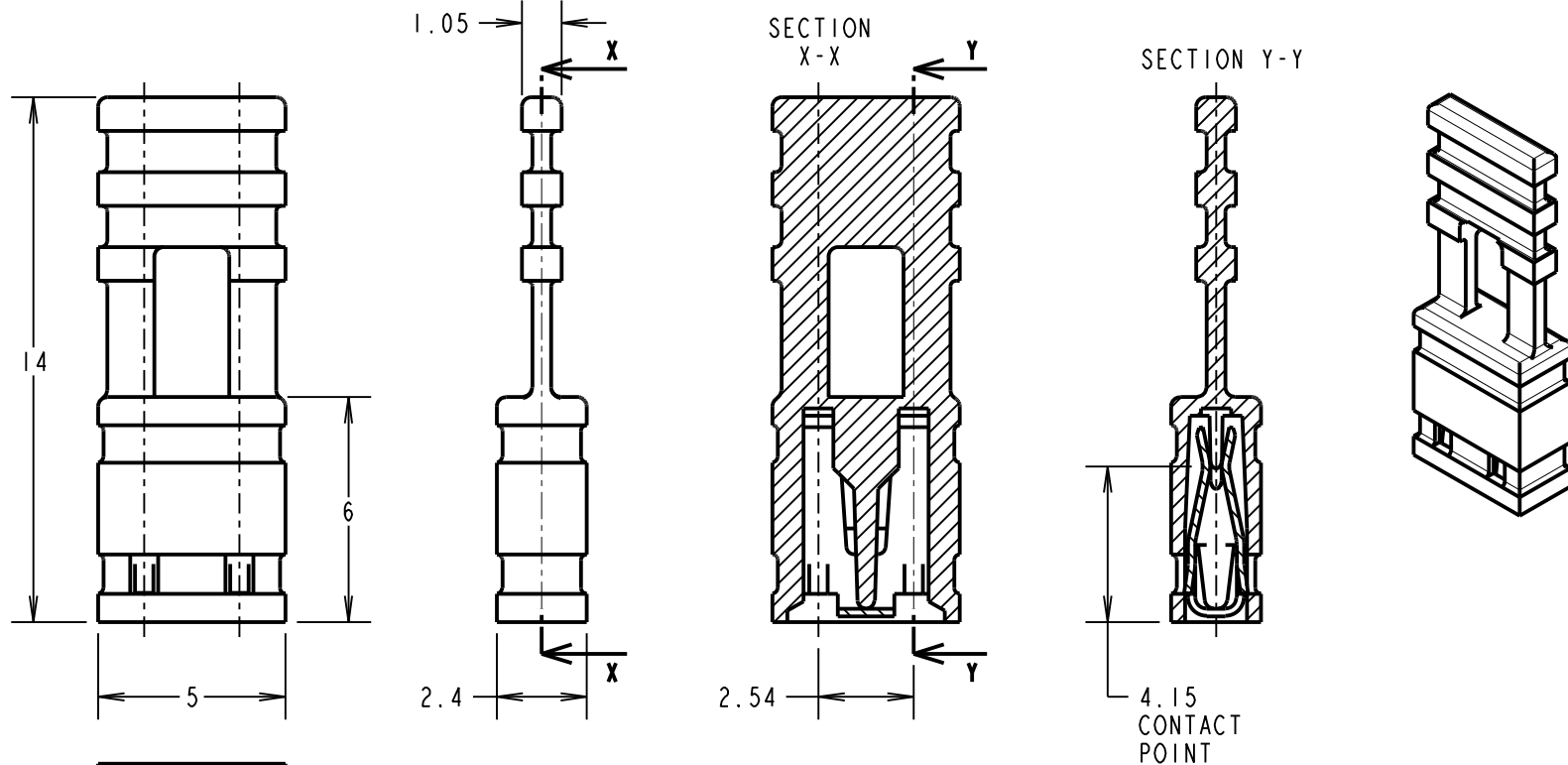
IF IN DOUBT - ASK

(C)

NOT TO SCALE

THIRD ANGLE PROJECTION

ALL DIMENSIONS IN mm



ORDER CODE:  
**M768X-XX**

MOULDING COLOUR  
 0 - LT. GREY      1 - RED  
 2 - BLACK          3 - BLUE

CONTACT FINISH  
 05 - GOLD  
 46 = 100% TIN

SCALE 4

- NOTES:
- MATING PIN = 0.64mm SQUARE, MAXIMUM LENGTH = 5.6mm.
  - FOR FULL ELECTRICAL/MECHANICAL SPECIFICATIONS, SEE COMPONENT SPECIFICATION C003XX (LATEST ISSUE).

**SPECIFICATIONS:**

**MATERIAL:**  
 MOULDING = POLYESTER UL94V-0  
 (SEE ORDER CODE FOR COLOUR)  
 CONTACT = PHOSPHOR BRONZE

**FINISH:**  
 05 = 0.13µ GOLD  
 46 = 3µ 100% TIN

**MECHANICAL:**  
 DURABILITY = 50 OPERATIONS (TIN)  
 300 OPERATIONS (GOLD)  
 INSERTION FORCE = 14.5N MAX  
 WITHDRAWAL FORCE = 1.0N MIN

**ELECTRICAL:**  
 CURRENT RATING = 3A MAX  
 VOLTAGE RATING = 250V AC/DC  
 VOLTAGE PROOF = 750V AC  
 CONTACT RESISTANCE = 30mΩ MAX (TIN)  
 25mΩ MAX (GOLD)

**INSULATION RESISTANCE = 1,000MΩ MIN**

**ENVIRONMENTAL:**  
 TEMPERATURE RANGE = -40°C TO +85°C

MSP	6	22.10.14	12634
NAME	ISS.	DATE	C/NOTE
APPROVED: M.PERREN			
CHECKED: M.PLESTED			
DRAWN: W. J. BOURNE			
CUSTOMER REF.:			
ASSEMBLY DRG:			



www.harwin.com  
 technical@harwin.com

THIS DRAWING AND ANY INFORMATION OR DESCRIPTIVE MATTER SET OUT HEREON ARE CONFIDENTIAL AND COPYRIGHT PROPERTY OF THE HARWIN GROUP AND MUST NOT BE DISCLOSED, LOANED, COPIED OR USED FOR MANUFACTURING, TENDERING OR FOR ANY OTHER PURPOSE WITHOUT THEIR WRITTEN PERMISSION.

**TOLERANCES**  
 X. = ±1mm  
 X.X = ±0.25mm  
 X.XX = ±0.10mm  
 X.XXX = ±0.01mm

ANGLES = ±5°  
 UNLESS STATED

**MATERIAL:**  
 SEE TABLE

**FINISH:** SEE TABLE

**S/AREA:** mm<sup>2</sup>

**TITLE:** 2.54mm PITCH  
 CLOSED-BOX JUMPER SOCKET  
 WITH HANDLE (14mm)

**DRAWING NUMBER:**  
**M7680-XX - M7683-XX**

SHT 2 OF 2