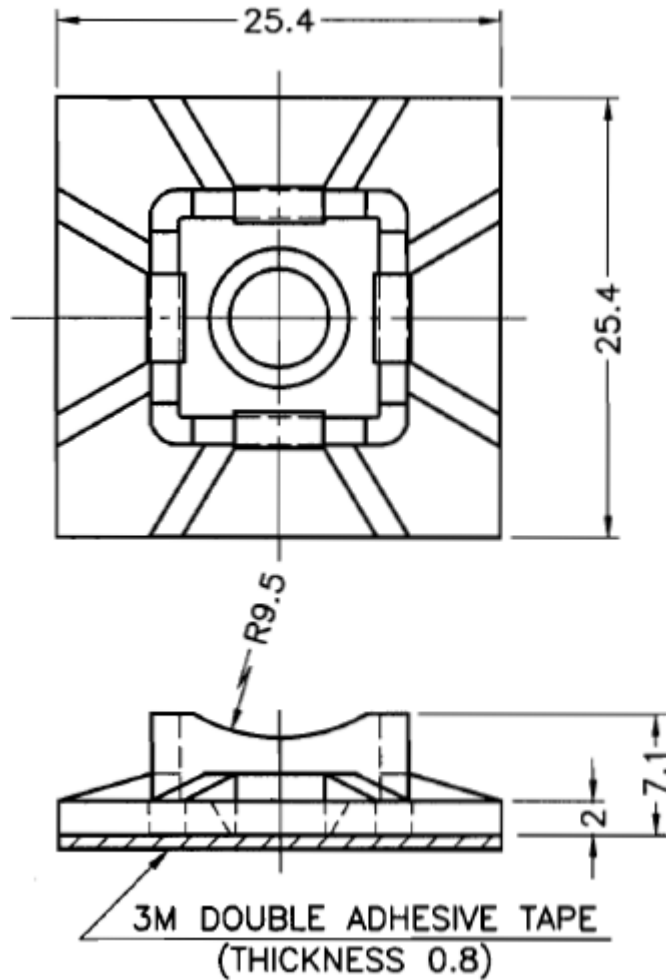


# 530911000



Packing: 500 pcs

530911000

Material: PA6.6 / UL94V2

TWO-WAY BASE, self-adhesive

Farbe: natur / natural

Drawn  
Mark Wirth  
2011-01-13

Drawn  
Mark Wirth  
2011-01-13

Würth Elektronik eiSos GmbH & Co KG  
 D – 74638 Waldenburg  
 Max-Eyth-Straße 1  
 Tel.: 0049 7942-945-0 / Fax: 0049 7942-945-400  
[www.we-online.de](http://www.we-online.de)