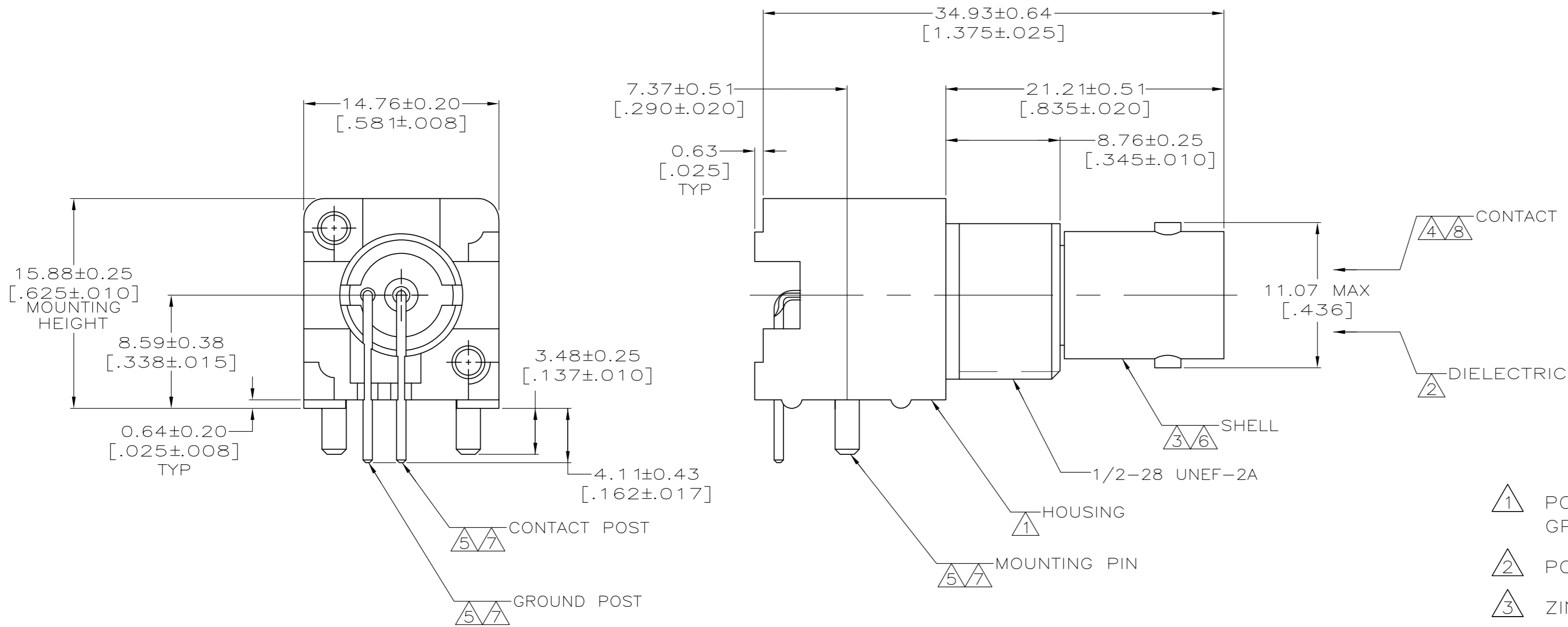
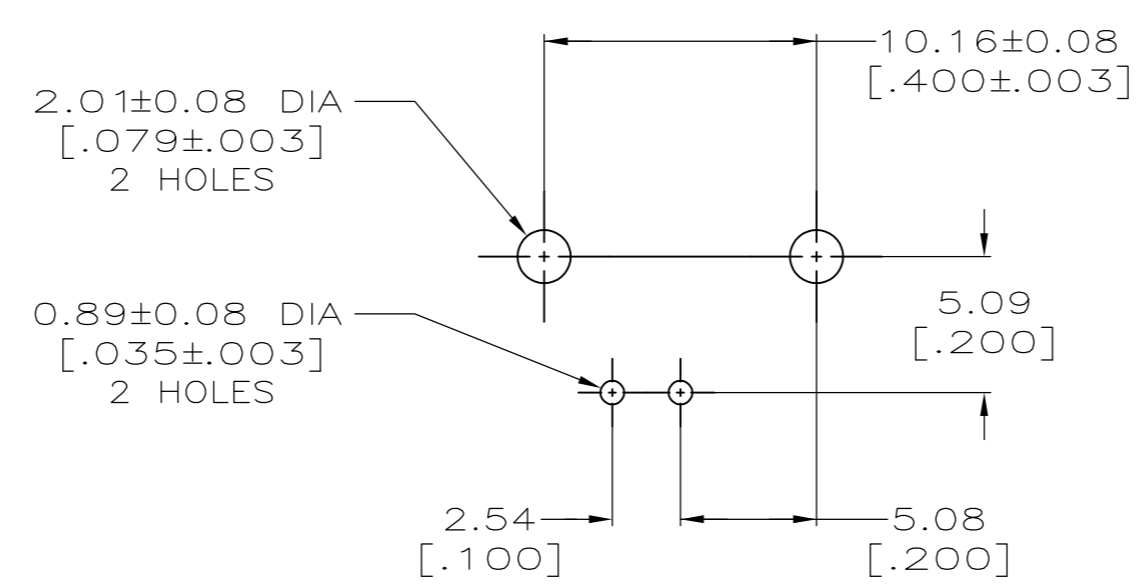
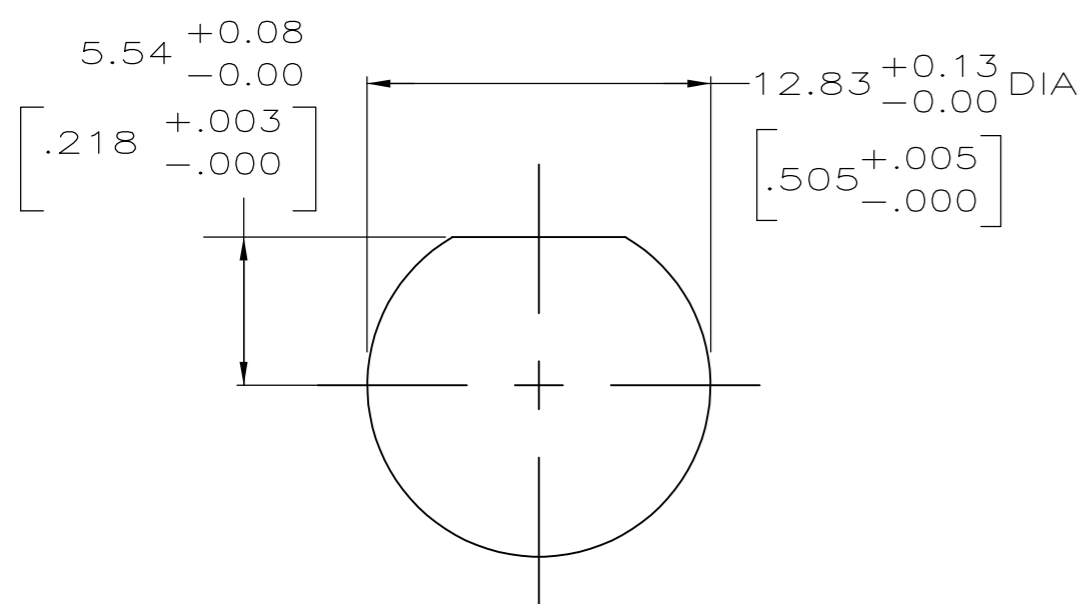


THIS DRAWING IS UNPUBLISHED. RELEASED FOR PUBLICATION
 © COPYRIGHT BY TYCO ELECTRONICS CORPORATION. ALL INTERNATIONAL RIGHTS RESERVED.

LOC	DIST	REVISIONS			
P	LTR	DESCRIPTION	DATE	DWN	APVD
AJ	16	c	REVISED PER ECO-10-004980	06MAY10	HMR FB



- 1 POLYESTER PBT PER MIL-M-24519, TYPE GPT-15F, UL94V-0 RATED, COLOR:NATURAL
- 2 POLYMETHYLPENTENE, GENERAL PURPOSE.
- 3 ZINC PER QQ-Z-363.
- 4 BERYLLIUM COPPER PER QQ-C-530.
- 5 BRASS PER ASTM-B-453.
- 6 NICKEL PLATE PER QQ-N-290
3.81 μm [.000150] MINIMUM THICK.
- 7 TIN PLATE PER ASTM-B-545
3.81 μm [.000150] MINIMUM THICK.
- 8 GOLD PLATE PER MIL-G-45204
.76 μm [.000030] MINIMUM THICK.
- 9. SEE INSTRUCTION SHEET 408-2769.



5414459-1
PART NUMBER

THIS DRAWING IS A CONTROLLED DOCUMENT.		DWN L. VARELA - DOCK5 20APR2005	Tyco Electronics Corporation Harrisburg, PA 17105-3608	
DIMENSIONS: mm [INCHES]		CHK J. HAVENER 20APR2005	NAME JACK, RIGHT ANGLE, PCB, 75 OHM, BNC	
TOLERANCES UNLESS OTHERWISE SPECIFIED:		APVD S. BURKHOLDER 20APR2005	SIZE A2	CAGE CODE 00779
0 PLC ± -	1 PLC ± -	PRODUCT SPEC	DRAWING NO C=5414459	RESTRICTED TO
2 PLC ± 0.05 [.002]	3 PLC ± -	APPLICATION SPEC	SCALE 90:1	SHEET 1 of 1
4 PLC ± -	ANGLES ± -	WEIGHT -	REV C	
MATERIAL SEE NOTES 1 - 5	FINISH SEE NOTES 6 - 8	CUSTOMER DRAWING		