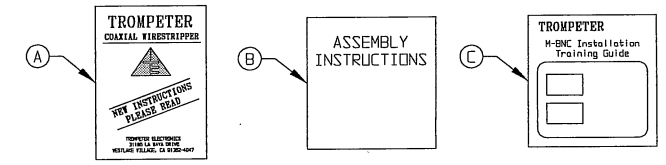


RED INDICATES ORIGINAL

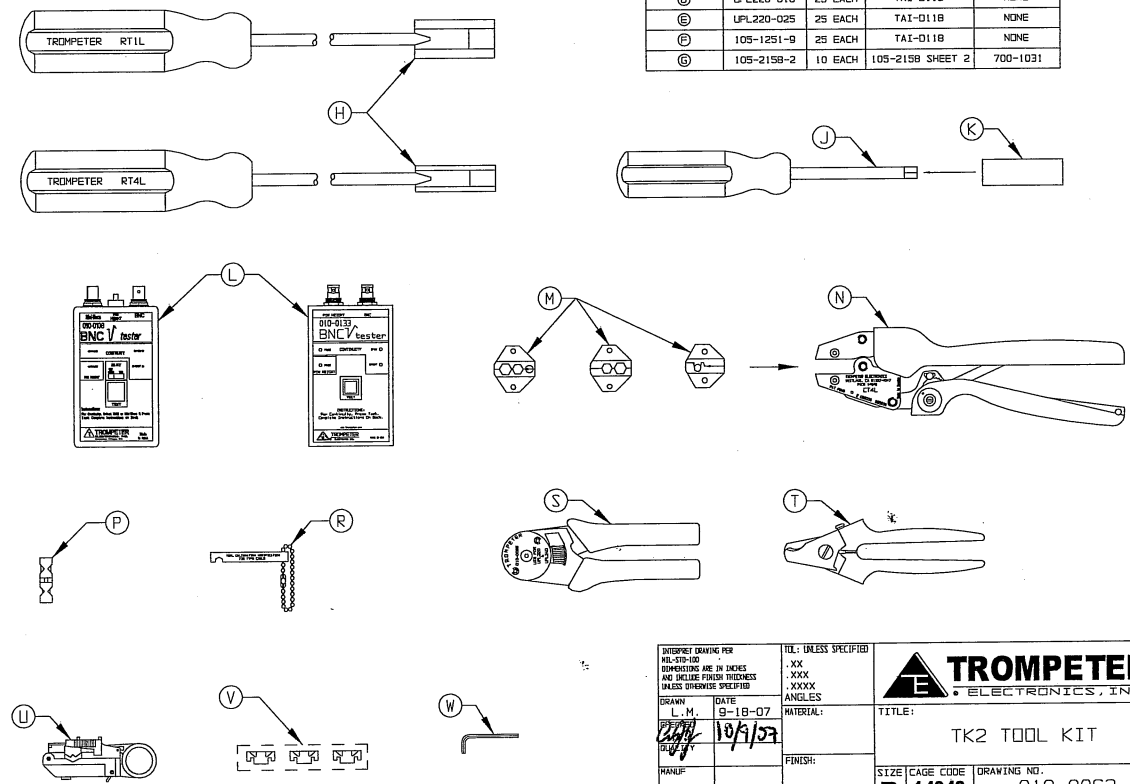
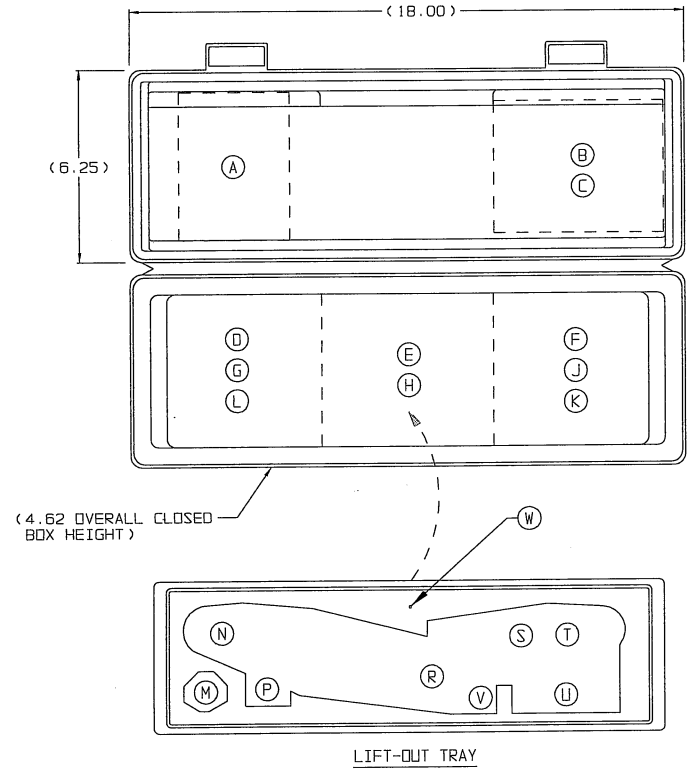
| DASH NO | MODEL NO | CONNECTORS (SEE TABLE 2) | INSTALLATION/REMOVAL TOOL | SOCKET DRIVER AND SOCKET | BNC/MINI-WECCO TESTER | DIE SET | CRIMP TOOL | STRIPPING CASSETTE | GAUGE | CONTACT CRIMP TOOL | CABLE CUTTER | STRIPPING TOOL, V BLOCKS AND 2MM ALLEN WRENCH |
|---------|----------|--------------------------|---------------------------|--------------------------|-----------------------|------------|------------|-------------------------------|----------|--------------------|--------------|---|
| -1 | TK2-1 | NONE | NONE | NONE | NONE | CD3-1/2-5 | CT4L | STC-F (LT GREEN) | 010-0179 | 010-0098 | NONE | ST1 |
| -2 | TK2-2 | (E) (F) | NONE | NONE | NONE | CD3-1/2-5 | CT4L | STC-F (LT GREEN) | 010-0179 | 010-0098 | NONE | ST1 |
| -3 | TK2-3 | NONE | NONE | NONE | NONE | CD3-1/2-5 | CT4L | STC-F (LT GREEN) STC-W (GRAY) | 010-0179 | 010-0098 | NONE | ST1 |
| -4 | TK2-4 | NONE | NONE | NONE | NONE | CD3-15 | CT4L | STC-F (LT GREEN) | 010-0179 | 010-0098 | NONE | ST1 |
| -5 | TK2-5 | NONE | NONE | NONE | NONE | CD3-3 | CT4L | STC-F (LT GREEN) | NONE | 010-0098 | NONE | ST1 |
| -6 | TK2-6 | NONE | NONE | NONE | NONE | CD3-1/2-5 | CT4L | STC-F (LT GREEN) | 010-0179 | 010-0080 | 700-0024 | ST1 |
| -7 | TK2-7 | NONE | RT1L | NONE | NONE | CD3-1/2-17 | CT4L | STC-F (LT GREEN) | 010-0179 | 010-0098 | 700-0024 | ST1 |
| -8 | TK2-8 | NONE | NONE | NONE | NONE | CD3-19 | CT4L | STC-F (LT GREEN) | 010-0179 | 010-0098 | 700-0024 | ST1 |
| -9 | TK2-9 | NONE | NONE | NONE | NONE | CD3-19 | CT4L | STC-F (LT GREEN) | 010-0179 | 010-0098 | 700-0024 | ST1 |
| -10 | TK2-10 | NONE | RT1L | NONE | 010-0109 | CD3-19 | CT4L | STC-F (LT GREEN) | 010-0179 | 010-0098 | 700-0024 | ST1 |
| -11 | TK2-11 | NONE | NONE | NONE | NONE | CD3-1/2-3 | CT4L | STC-F (LT GREEN) | 010-0179 | 010-0098 | NONE | ST1 |
| -12 | TK2-12 | NONE | NONE | NONE | NONE | CD3-19 | CT4L | STC-F (LT GREEN) | 010-0179 | 010-0097 | NONE | ST1 |
| -13 | TK2-13 | NONE | RT1L | NONE | NONE | CD3-19 | CT4L | STC-F (LT GREEN) | 010-0179 | 010-0098 | NONE | ST1 |
| -14 | TK2-14 | NONE | NONE | NONE | 010-0133 | CD3-19 | CT4L | NONE | 010-0179 | 010-0098 | 700-0024 | NONE |
| -15 | TK2-15 | NONE | NONE | NONE | NONE | CD3-19 | CT4L | STC-F (LT GREEN) | 010-0179 | 010-0098 | NONE | ST1 |
| -16 | TK2-16 | NONE | RT1L | NONE | 010-0133 | CD3-16 | CT4L | STC-F (LT GREEN) | NONE | 010-0088 | 700-0024 | ST1 |
| -17 | TK2-17 | NONE | NONE | NONE | NONE | CD3-19 | CT4L | STC-F (LT GREEN) | 010-0179 | 010-0098 | 700-0024 | ST1 |
| -18 | TK2-18 | NONE | NONE | NONE | NONE | CD3-19 | CT4L | STC-F (LT GREEN) | 010-0179 | NONE | NONE | ST1 |
| -19 | TK2-19 | NONE | NONE | NONE | NONE | CD3-19 | CT4L | STC-F (LT GREEN) | 010-0179 | 010-0098 | NONE | ST1 |
| -20 | TK2-20 | (G) | RT4L | 700-1032/700-1033 | NONE | CD3-19 | CT4L | STC-F (LT GREEN) | 010-0179 | 010-0213 | 700-0024 | ST1 |

DATA CONTAINED IN THIS DOCUMENT IS PROPRIETARY TO TROMPETER ELECTRONICS, INC. AND SHALL NOT BE DISCLOSED, COPIED OR USED FOR REPRODUCTION OR MANUFACTURE WITHOUT EXPRESS WRITTEN PERMISSION OF TROMPETER ELECTRONICS, INC.

| REVISIONS | | 010-0062 | SH 1 |
|-----------|-----------------------|----------|----------|
| REV | DESCRIPTION | DATE | APPROVED |
| Z | REVISED PER ECO 16426 | | |



| CONNECTOR DESIGNATION | CONNECTOR PART NUMBER | QUANTITY | ASSEMBLY INSTRUCTIONS | TRAINING GUIDE |
|-----------------------|-----------------------|----------|-----------------------|----------------|
| (D) | UPL220-016 | 25 EACH | TAI-011B | NONE |
| (E) | UPL220-025 | 25 EACH | TAI-011B | NONE |
| (F) | 105-1251-9 | 25 EACH | TAI-011B | NONE |
| (G) | 105-215B-2 | 10 EACH | 105-215B SHEET 2 | 700-1031 |



1. (A) THRU (W) REPRESENTS LOCATION OF NOTED TOOLS AND CABLE PLUGS IN BOX

| | | | | | |
|---|---|-------------------|-------------------------------|-----------------------|-----------|
| INTERPRET DRAWING PER MIL-STD-10 DIMENSIONS ARE IN INCHES ANGLES SPECIFIED UNLESS OTHERWISE SPECIFIED | HEL: UNLESS SPECIFIED .XX .XXX .XXXX ANGLES | | TITLE: TK2 TOOL KIT | | |
| DRAWN: L. M. DATE: 9-18-07 DESIGNED: [Signature] CHECKED: [Signature] | MATERIAL: FINISH: | | SIZE: B CAGE CODE: 14949 | DRAWING NO.: 010-0062 | REV.: Z |
| MANUF: [Signature] DATE: 10/19/07 CAD FILE NO.: 010-0062Z | NEXT ASSY: | DO NOT SCALE DIMS | SCALE: NONE | DATE: 8/29/89 | SHEET: 1C |