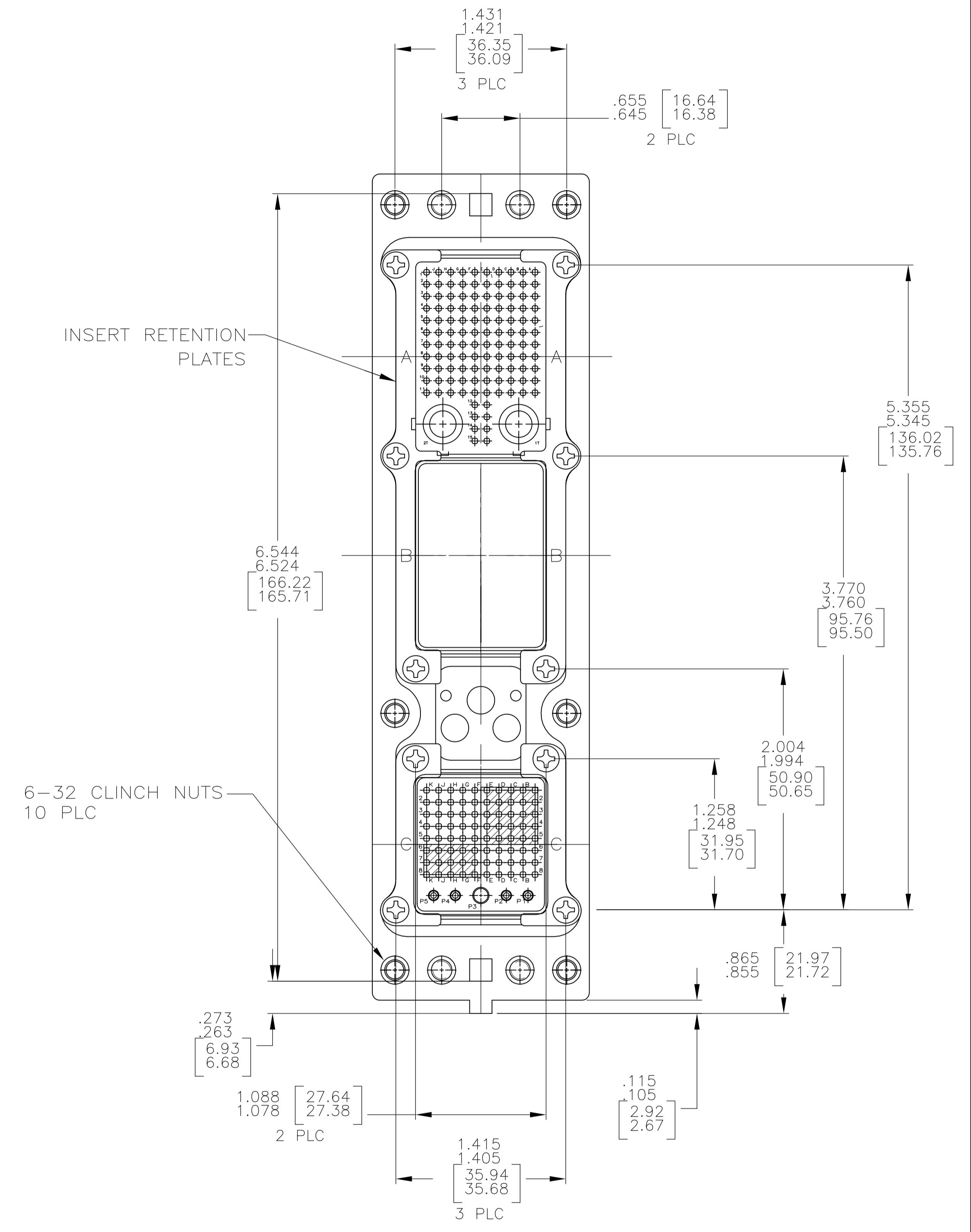
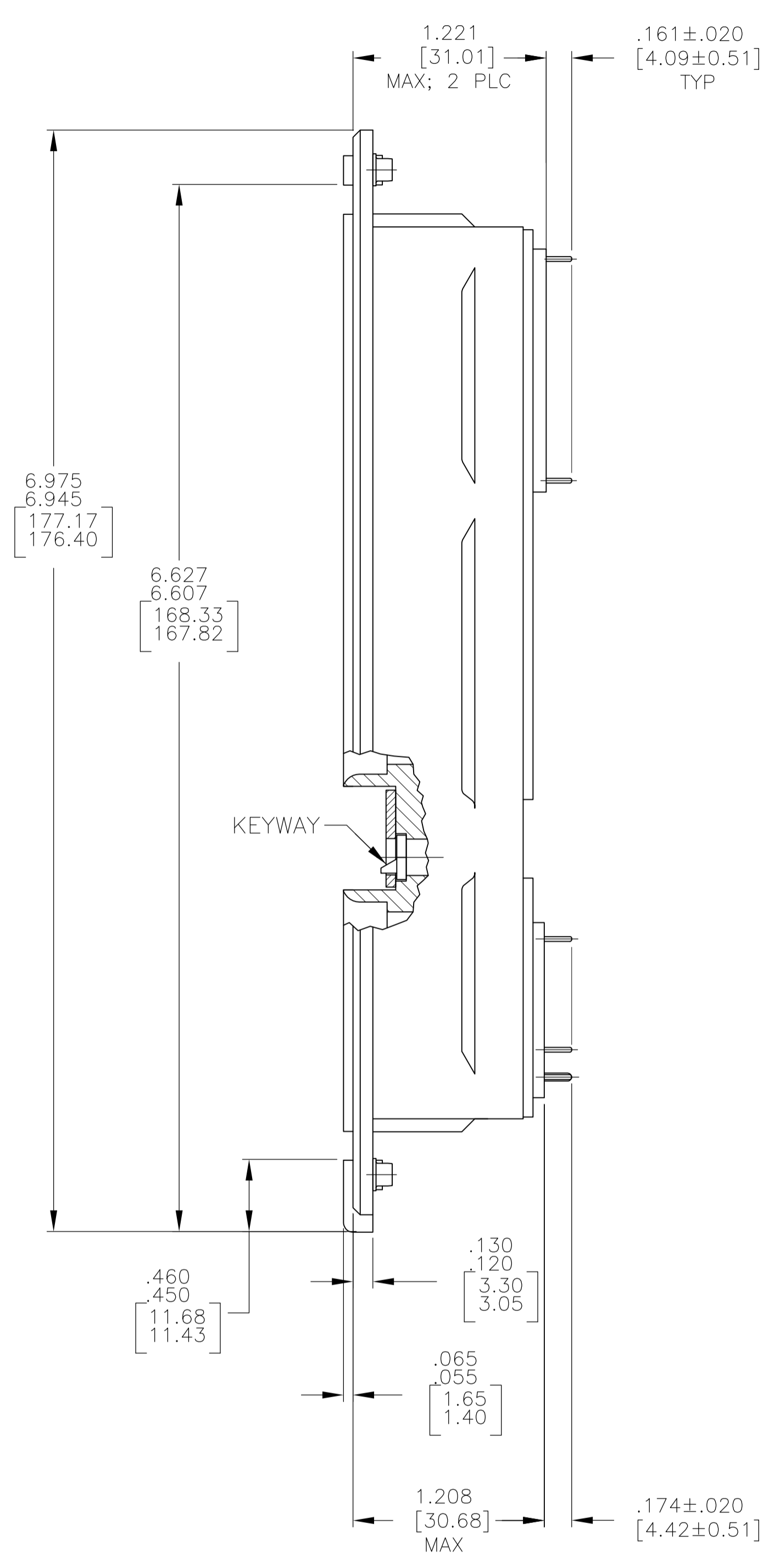
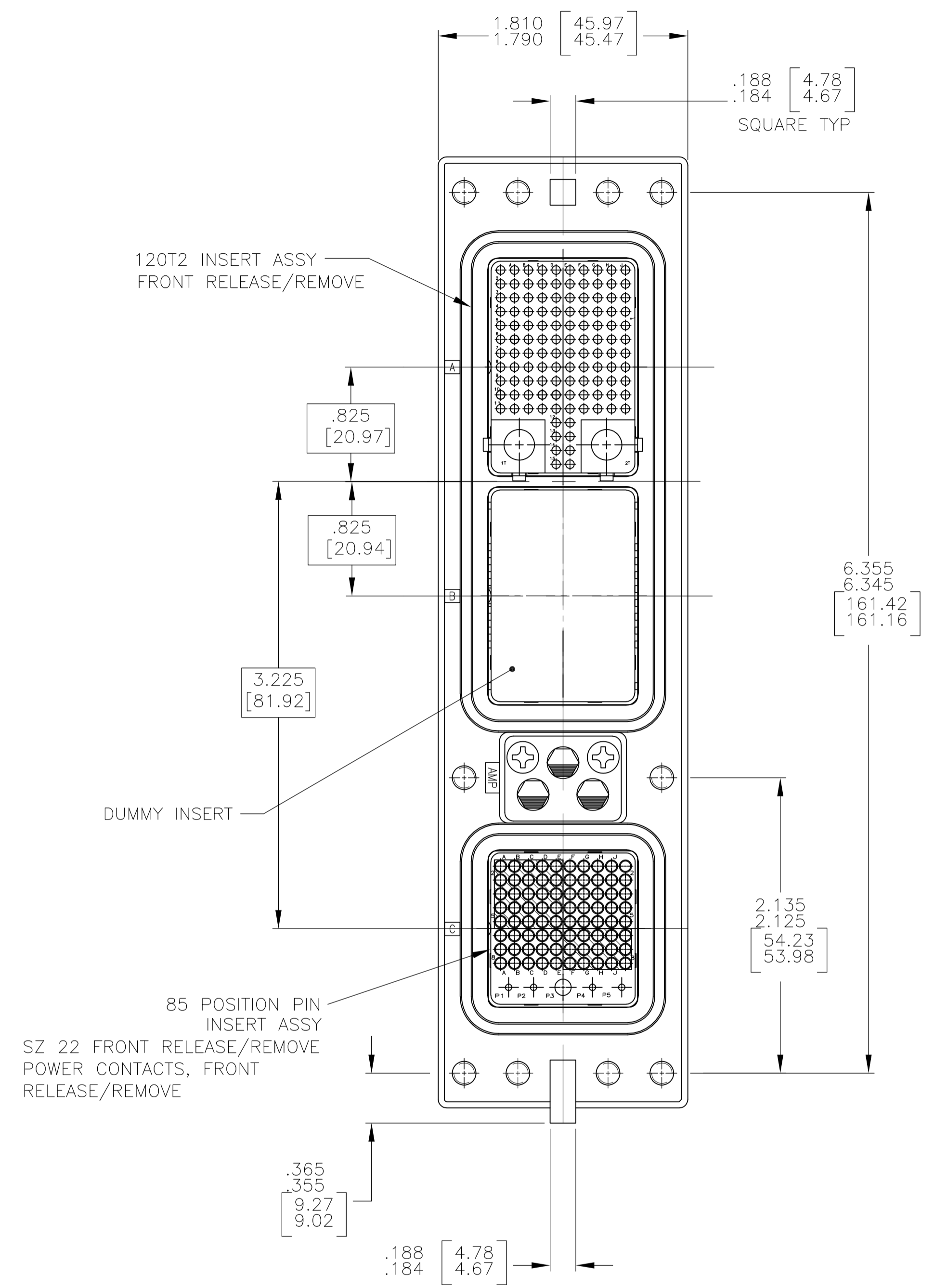


LOC		DIST		REVISIONS			
F	LTR	DESCRIPTION	DATE	DWN	APVD		
B	REV PER ECO	10-021426	09NOV10	PY	KT		

- CONNECTOR DIMENSIONS ARE PER ARINC 600 SPECIFICATION.
- CONNECTOR IS SUPPLIED WITH CONTACTS AS LISTED IN TABLE.
- KEYING SHOWN IN POSITION "01" FOR ILLUSTRATION ONLY. CONNECTORS SHIPPED WITH KEYING INSTALLED IN POSITION PER TABLE. FOR POSITION "00" KEYING HARDWARE SHIPPED UNASSEMBLED.



COMPONENT	MATERIAL	FINISH
SHELL	DIE CAST ALUMINUM PER ASTM-B-85	ELECTROLESS NICKEL PER MIL-C-26074
INSERT RETENTION PLATES	ALUMINUM ALLOY PER ASTM-B-209	ELECTROLESS NICKEL PER MIL-C-26074
FLAT HEAD SCREWS	STAINLESS STEEL	PASSIVATED
POLARIZING KEYS	ZINC ALLOY PER ASTM-B-86	-
120T2 & 85 INSERTS	THERMOSET OR THERMOPLASTIC PPS PER MIL-M-24519	-
POLARIZING KEY RETAINING PLATE	ALUMINUM ALLOY PER ASTM-B-209	BLUE ANODIZED PER MIL-A-8625
DUMMY INSERT	ALUMINUM ALLOY PER ASTM-B-85	ELECTROLESS NICKEL PER MIL-C-26074

130	MODULE A 211431-2 (SIZE 22 POSTED; QTY=118) MODULE B (NONE) MODULE C 211431-2 (SIZE 22 POSTED; QTY=80) 1-448138-5 (SIZE 20 POSTED; QTY=4) 2-448139-1 (SIZE 16 POSTED; QTY=1)	2101650-1
KEYING POSITION	CONTACTS INCLUDED AND INSTALLED	PART NUMBER
THIS DRAWING IS A CONTROLLED DOCUMENT. DWN: C.C.THOMAS 11-5-09 CJK: K. THACKSTON 11-5-09 APVD: K. THACKSTON 11-5-09 Tyco Electronics Corporation Harrisburg, PA 17105-3608		
DIMENSIONS: INCHES TOLERANCES UNLESS OTHERWISE SPECIFIED: 0 PLC ± - 1 PLC ± - 2 PLC ± - 3 PLC ± - 4 PLC ± - ANGLES ± -		NAME: RCPT ASSY, SIZE 2, ARINC 600 (120T2/DUMMY/85) APPLICATION SPEC: - SIZE: A1 CASE CODE: 00779 DRAWING NO: C=2101650 RESTRICTED TO: -
MATERIAL: SEE TABLE		FINISH: SEE TABLE
WEIGHT: -		SCALE: 3:2
CUSTOMER DRAWING		SHEET 1 OF 1 REV B