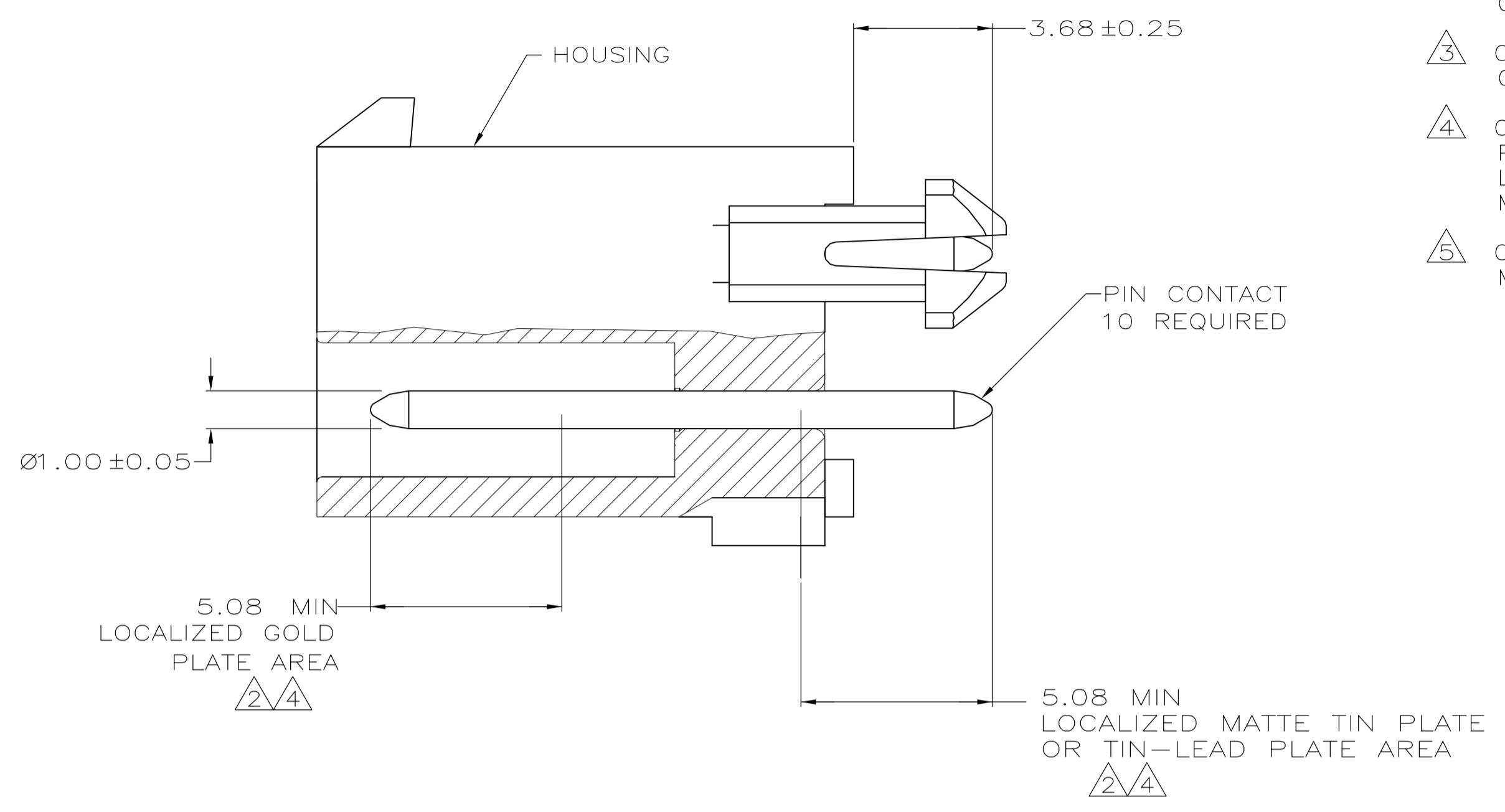
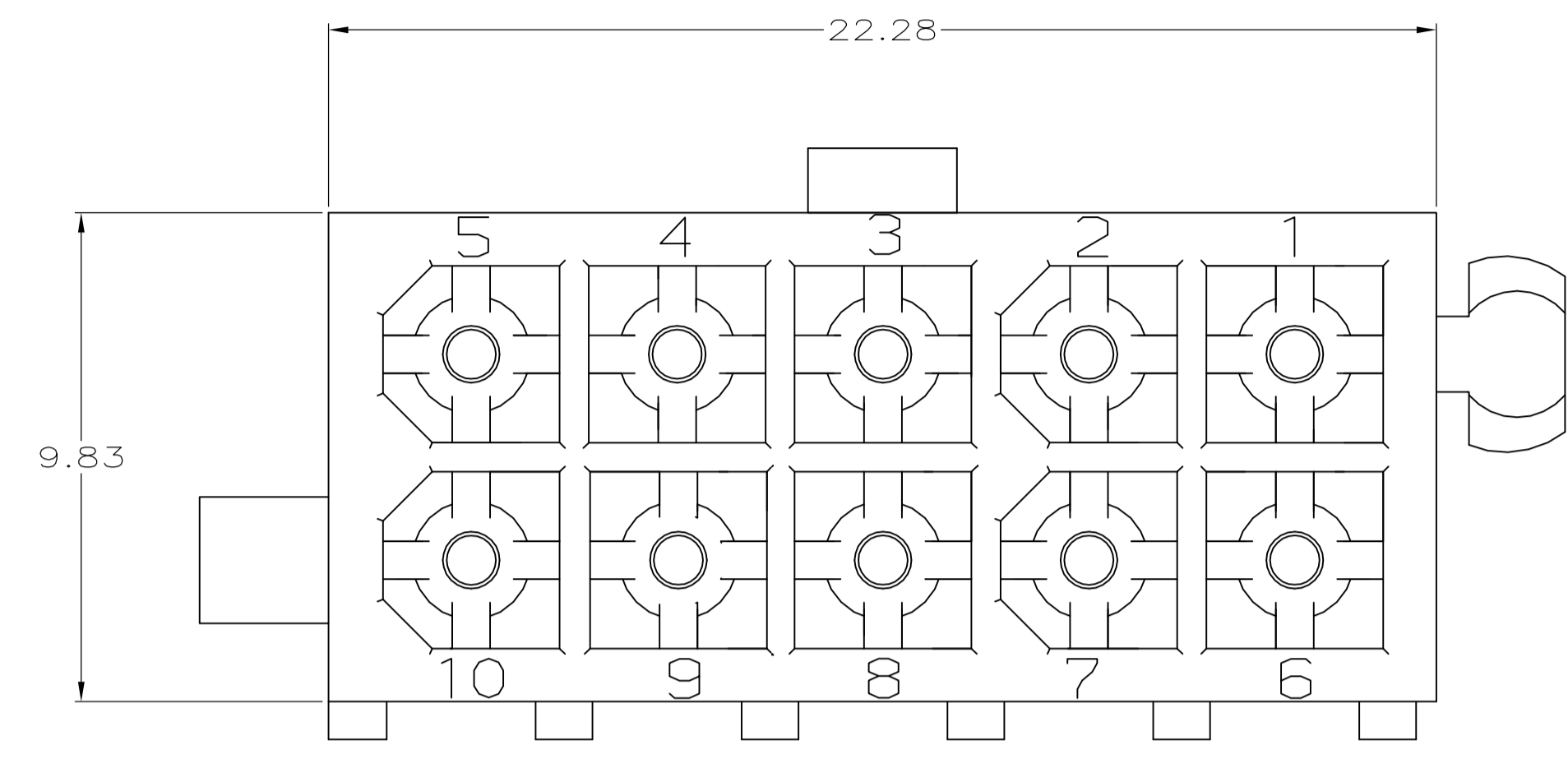
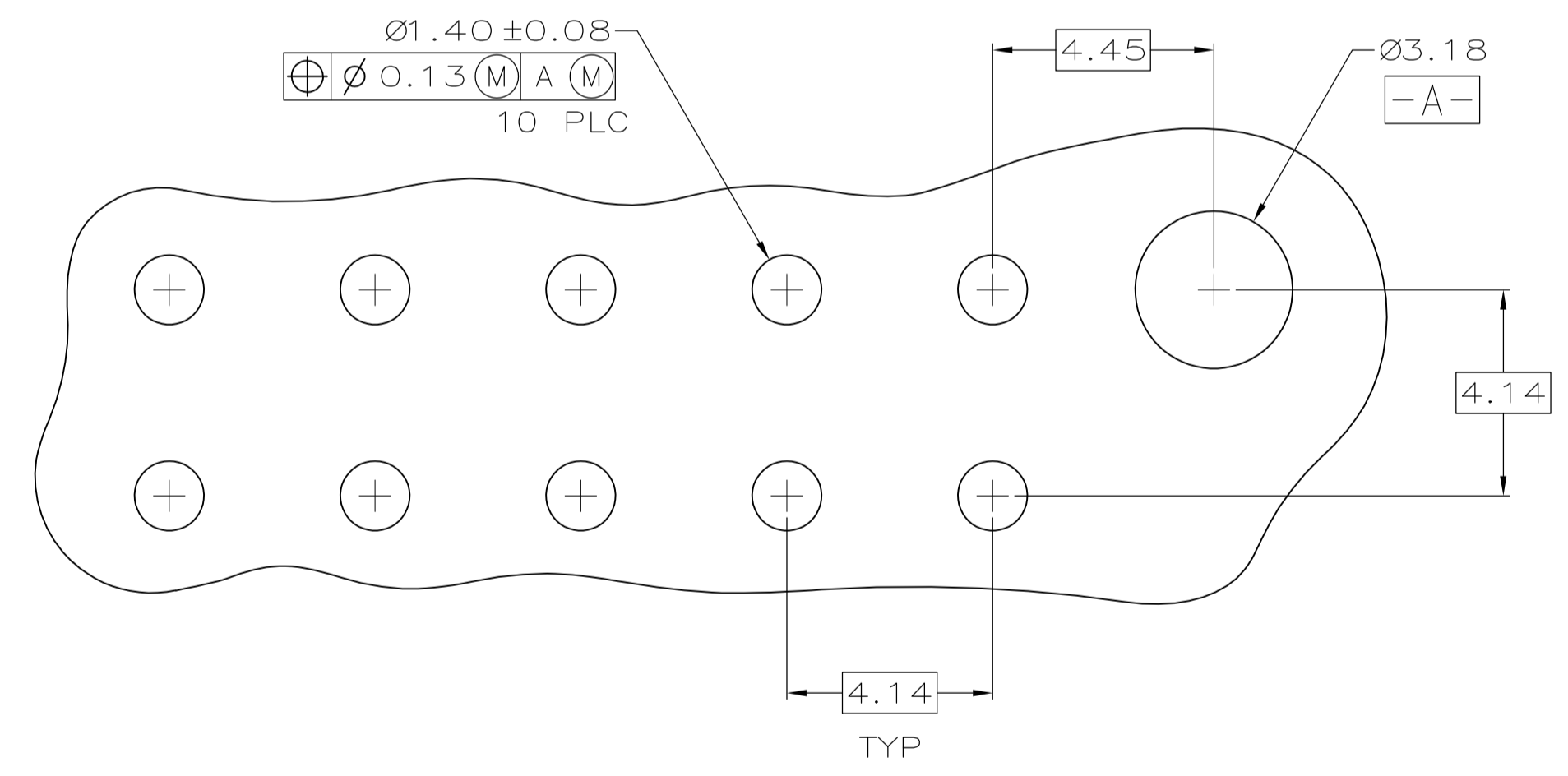
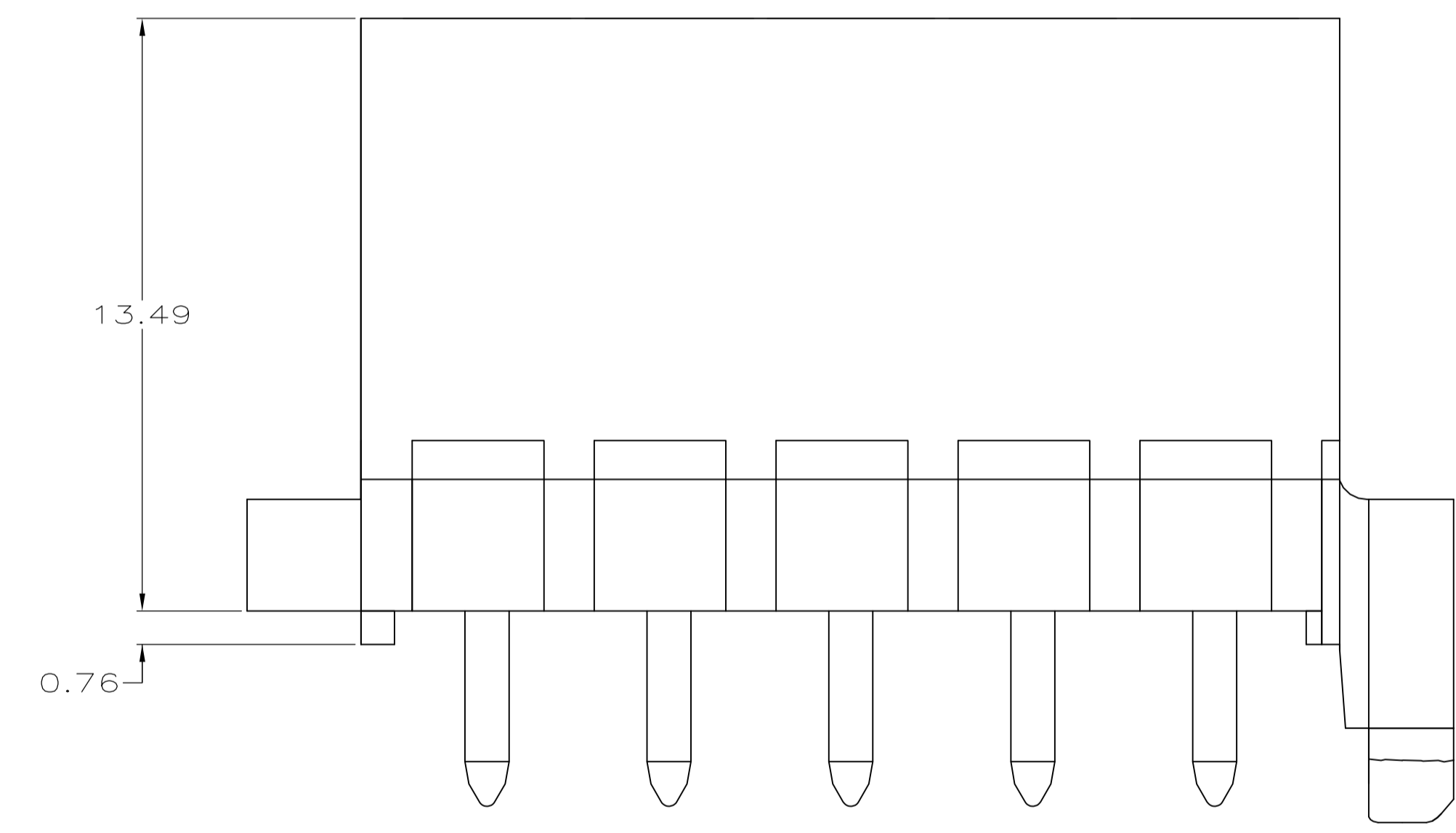


LOC		DIST		REVISIONS			
CM	0	F	LTR	DESCRIPTION	DATE	DWN	APVD
		F1		REVISED PER ECO-11-004917	11MAR11	RK	HMR



- PINS TO COMPLY WITH AMP SOLDERABILITY SPEC 109-11-3.
- 0.00076 MIN GOLD PLATE IN THE LOCALIZED PLATE AREA, 0.00381 MATTE TIN LEAD IN THE LOCALIZED PLATE AREA, BOTH OVER 0.00127 MIN NICKEL.
- 0.00381 MIN MATTE TIN LEAD PLATE OVER 0.00127 MIN NICKEL.
- 0.00076 MIN GOLD PLATE IN THE LOCALIZED PLATE AREA, 0.00381 MATTE TIN IN THE LOCALIZED PLATE AREA, BOTH OVER 0.00127 MIN NICKEL.
- 0.00381 MIN MATTE TIN PLATE OVER 0.00127 MIN NICKEL.



RECOMMENDED MOUNTING HOLE PATTERN FOR 1.57 THICK P.C. BOARD

BRASS, GOLD	NYLON, 94V-0, WHITE	1-770858-1
BRASS, TIN	NYLON, 94V-0, WHITE	1-770858-0
BRASS, GOLD	NYLON, 94V-0, WHITE	770858-2
BRASS, TIN LEAD	NYLON, 94V-0, WHITE	770858-1
PIN CONTACT MATERIAL AND FINISH	HOUSING MATERIAL AND COLOR	PART NO.

THIS DRAWING IS A CONTROLLED DOCUMENT.

DIMENSIONS: mm	TOLERANCES UNLESS OTHERWISE SPECIFIED:	DIN C. MARTIN 8-2-91	APVD R. SWING 8-2-91	NAME
0 PLC ± -	1 PLC ± -	2 PLC ± -	3 PLC ± 0.13	4 PLC ANGLES ± -
MATERIAL SEE TABLE	FINISH SEE TABLE	WEIGHT	SIZE A1	CAGE CODE 00779
CUSTOMER DRAWING		SCALE 8:1	SHEET 1 OF 1	REV F1

STE TE Connectivity

PRODUCT SPEC: HEADER ASSEMBLY, CLOSED BOTTOM, 10 CIRCUIT, DOUBLE ROW VERTICAL, MINI UNIVERSAL MATE-N-LOK

DRAWING NO: 770858