

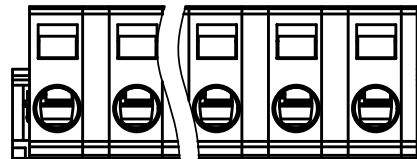
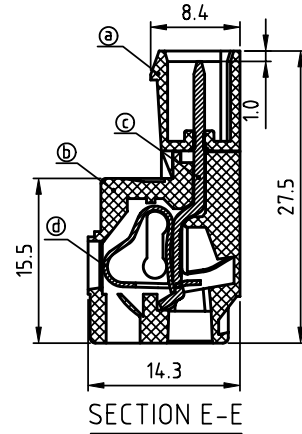
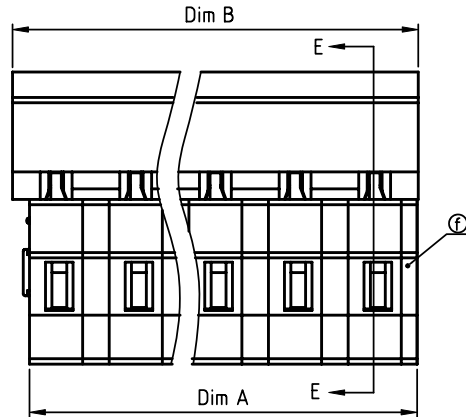
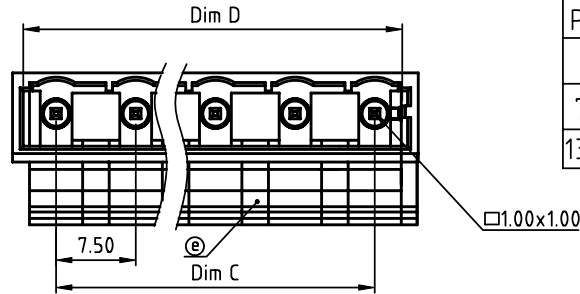
PRODUCT NUMBER	PITCH
NBxxA0x000J0G	7.50 mm

N=Number of poles  
 Dim A=Nx7.5-1.0  
 Dim B=Nx7.5+0.7  
 Dim C=(N-1)x7.5  
 Dim D=(N-1)x7.5+5.7

POLES	Dim A	Dim B	Dim C	Dim D
2-6p	±0.20	±0.20	±0.10	±0.10
7-12p	±0.30	±0.30	±0.20	±0.20
13-16p	±0.40	±0.40	±0.30	±0.30

PART NO.: NB xx A 0 x 0 00J0 G

	Color	RoHS compliant
Solid block	0 Black (RAL9005)	(lead<4%)
No. of poles	2 Red (RAL3001/D)	In copper Alloy
02 2 poles	3 Orange(RAL2011/P)	
03 3 poles	4 Yellow(RAL1018/A)	
...	5 Green(RAL6018/T)	
16 16 poles	6 Blue (RAL5015/A)	
	8 Grey(RAL7035/D)	
	9 White(RAL1102)	
	C Green(RAL6018/U)	



Material:

- Item①Top body: Thermoplastic (UL94 V-0)
- Item②Bottom body: Thermoplastic (UL94 V-0)
- Item③Male contact pin: Brass Tin plated
- Item④Spring clamp: Stainless steel
- Item⑤Pad board: Thermoplastic ( UL94V-0 )
- Item⑥Terminal cover: Thermoplastic ( UL94V-0 )

Electrical cULus

- Voltage rating: 300V
- Current rating: 8A
- Wire range:
- Solid wire(AWG): 12-28
- Stranded wire(AWG): 12-28
- Wire strip length: 8-9mm
- Withstanding Voltage: 1.6KV
- Operating temperature: -40°C to +115°C
- Safety Approval:

mat'l. code		surface ASME Y14.5 ✓	tolerance ASME Y14.5	projection	product family	
ltr ecn no dr date		tolerances unless otherwise specified		MM	TERMINAL BLOCK	
		angles	X.±0.5		scale	title
		X*±1"	X.X±0.3	TERMINAL BLOCK SPRING CLAMP, PLUGGABLE PLUG MALE CONNECTOR		
			X.XX±0.1	sheet 1 of 1 size		
		dr	EVIN ZHONG 051714	NBxxA0x000J0G A4		
		enr	EVIN ZHONG 051714	type		
		chr	HANKE FENG 051714	CUSTOMER Drawing		
		appd	SHI JUN 051714			
sheet index	revision sheet	A	1			