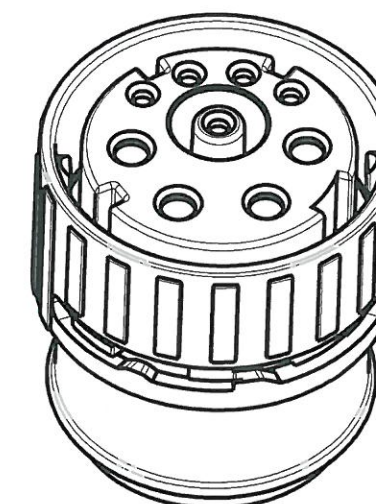
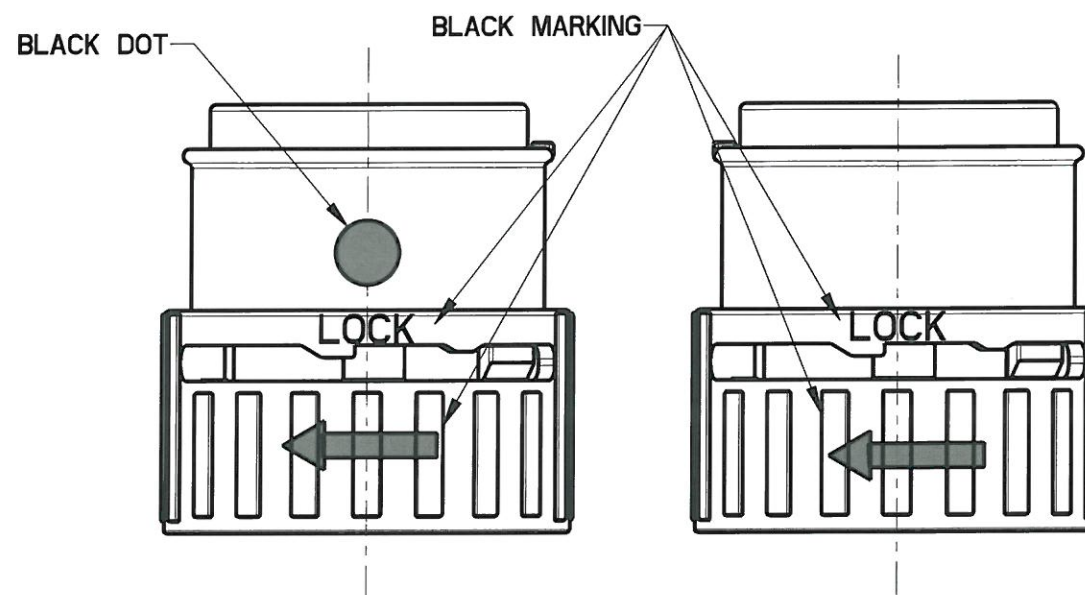
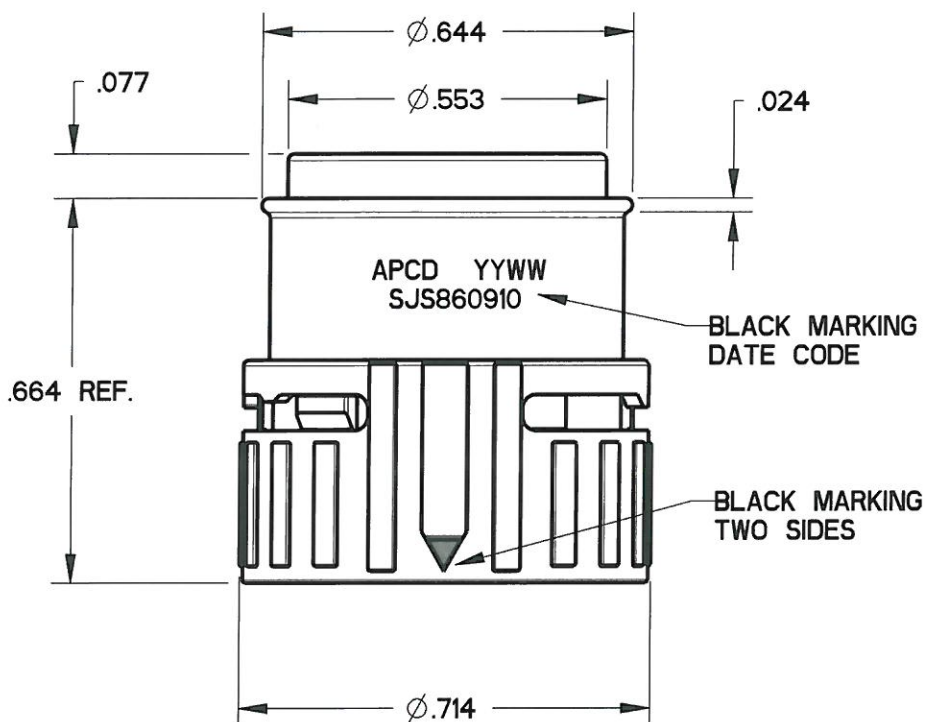
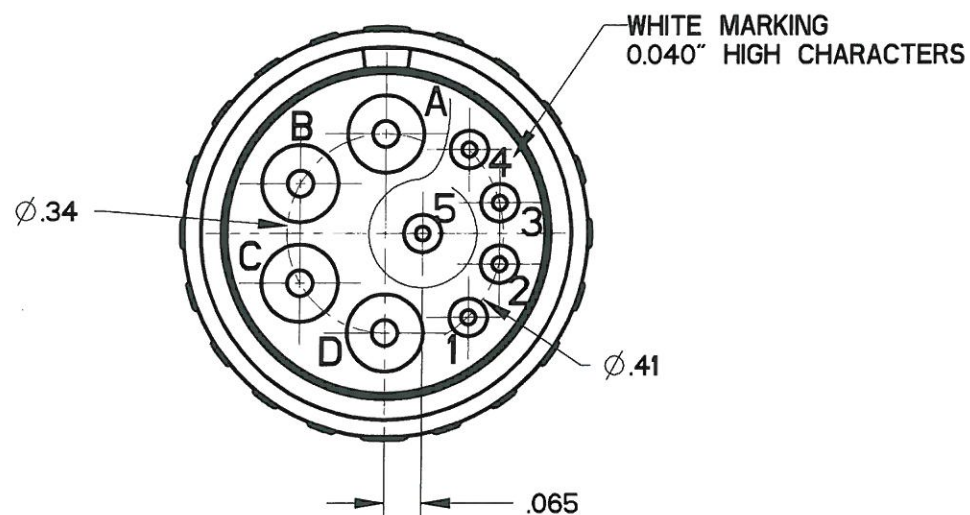
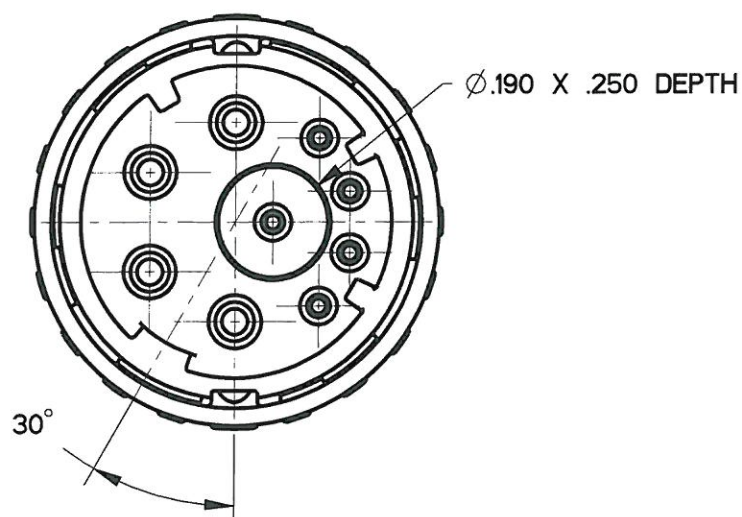


REV	ECN	APP'D
-	6495	JT 3/4/10
A	6564	JT 8/6/10
B	6655	JT 1/18/11



SCALE 8:3

- NOTES:
- MATERIALS:  
HOUSING: PA6/6  
CONTACT RETAINER: STAINLESS STEEL  
GROMMET: SILICONE RUBBER PER A-A-59588
  - ACCEPTS M39029/57-354 & 358  
SOCKET CONTACTS (NOT INCLUDED)
  - WHEN ASSEMBLED, "LOCK" AND ARROW MARKINGS MUST ALIGN WITH BLACK DOT
  - PART MATES WITH SJS860900
  - WEIGHT: 3.3 GRAMS
  - SUPPLIED WITH DUST CAP



<b>DIMENSIONS</b> ANSI Y14.5M UNITS: INCHES Pro/E FILE	<b>TOLERANCES</b> .XX ±0.01 .XXX ±0.005 ANGLES ±1.0°	<b>PROJECTION</b> 	<b>Amphenol Pcd</b> SPECIFICATION DRAWING		<b>TITLE</b> 4P SZ16 & 5P SZ22 WHITE PLUG FOR SJS	
			ENGR Frank.Li 15-Mar-09	CHKD 1/18/11	APPD 1/18/11	SIZE <b>B</b>
ORIGINAL 	THIS DOCUMENT CONTAINS PROPRIETARY INFORMATION WHICH IS THE CONFIDENTIAL PROPERTY OF AMPHENOL PCD INC., BEVERLY, MA			CODE: 58982	SCALE: 3:1	SHEET 1 OF 1

SJS860910

SJS860910