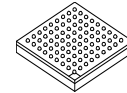


MIMX8MQ7DVAJZAA MIMX8MQ6DVAJZAA
MIMX8MD7DVAJZAA MIMX8MD6DVAJZAA
MIMX8MQ5DVAJZAA

i.MX 8M Dual / 8M QuadLite / 8M Quad Applications Processors Data Sheet for Consumer Products



Package Information
Plastic Package
FBGA 17 x 17 mm, 0.65 mm pitch

| |
|---------------------------------------|
| Ordering Information |
| See Table 2 on page 6 |

1 i.MX 8M Dual / 8M QuadLite / 8M Quad introduction

The i.MX 8M Dual / 8M QuadLite / 8M Quad processors represent NXP's latest market of connected streaming audio/video devices, scanning/imaging devices, and various devices requiring high-performance, low-power processors.

The i.MX 8M Dual / 8M QuadLite / 8M Quad processors feature advanced implementation of a quad Arm® Cortex®-A53 core, which operates at speeds of up to 1.5 GHz. A general purpose Cortex®-M4 core processor is for low-power processing. The DRAM controller supports 32-bit/16-bit LPDDR4, DDR4, and DDR3L memory. There are a number of other interfaces for connecting peripherals, such as WLAN, Bluetooth, GPS, displays, and camera sensors. The i.MX 8M Quad and i.MX 8M Dual processors have hardware acceleration for video playback up to 4K, and can drive the video outputs up to 60 fps. Although the i.MX 8M QuadLite processor does not have hardware acceleration for video decode, it allows for video playback with software decoders if needed.

| | | |
|------|---|----|
| 1. | i.MX 8M Dual / 8M QuadLite / 8M Quad introduction | 1 |
| 1.1. | Block diagram | 5 |
| 1.2. | Ordering information | 6 |
| 2. | Modules list | 8 |
| 2.1. | Recommended connections for unused interfaces | 12 |
| 3. | Electrical characteristics | 13 |
| 3.1. | Chip-level conditions | 13 |
| 3.2. | Power supplies requirements and restrictions | 24 |
| 3.3. | PLL electrical characteristics | 26 |
| 3.4. | On-chip oscillators | 27 |
| 3.5. | I/O DC parameters | 28 |
| 3.6. | I/O AC parameters | 31 |
| 3.7. | Output buffer impedance parameters | 34 |
| 3.8. | System modules timing | 36 |
| 3.9. | External peripheral interface parameters | 37 |
| 4. | Boot mode configuration | 71 |
| 4.1. | Boot mode configuration pins | 71 |
| 4.2. | Boot device interface allocation | 72 |
| 5. | Package information and contact assignments | 73 |
| 5.1. | 17 x 17 mm package information | 73 |
| 5.2. | DDR pin function list for 17 x 17 mm package | 92 |
| 6. | Revision history | 96 |



Table 1. Features

| Subsystem | Feature |
|--------------------------------|---|
| Arm Cortex-A53 MPCore platform | Quad symmetric Cortex-A53 processors: <ul style="list-style-type: none"> • 32 KB L1 Instruction Cache • 32 KB L1 Data Cache • Support L1 cache RAMs protection with parity/ECC |
| | Support of 64-bit Armv8-A architecture: <ul style="list-style-type: none"> • 1 MB unified L2 cache • Support L2 cache RAMs protection with ECC • Frequency of 1.5 GHz |
| Arm Cortex-M4 core platform | 16 KB L1 Instruction Cache |
| | 16 KB L1 Data Cache |
| | 256 KB tightly coupled memory (TCM) |
| Connectivity | Two PCI Express Gen2 interfaces |
| | Two USB 3.0/2.0 controllers with integrated PHY interfaces |
| | Two Ultra Secure Digital Host Controller (uSDHC) interfaces |
| | One Gigabit Ethernet controller with support for EEE, Ethernet AVB, and IEEE 1588 |
| | Four Universal Asynchronous Receiver/Transmitter (UART) modules |
| | Four I ² C modules |
| | Three SPI modules |
| External memory interface | 32/16-bit DRAM interface: LPDDR4-3200, DDR4-2400, DDR3L-1600 |
| | 8-bit NAND-Flash |
| | eMMC 5.0 Flash |
| | SPI NOR Flash |
| | QuadSPI Flash with support for XIP |
| GPIO and pin multiplexing | GPIO modules with interrupt capability |
| | Input/output multiplexing controller (IOMUXC) to provide centralized pad control |
| On-chip memory | Boot ROM (128 KB) |
| | On-chip RAM (128 KB + 32 KB) |
| Power management | Temperature sensor with programmable trip points |
| | Flexible power domain partitioning with internal power switches to support efficient power management |

Table 1. Features (continued)

| Subsystem | Feature |
|---|--|
| Multimedia | Video Processing Unit: <ul style="list-style-type: none"> • 4Kp60 HEVC/H.265 main, and main 10 decoder • 4Kp60 VP9 decoder • 4Kp30 AVC/H.264 decoder • 1080p60 MPEG-2, MPEG-4p2, VC-1, VP8, RV9, AVS, MJPEG, H.263 decoder |
| | Graphic Processing Unit: <ul style="list-style-type: none"> • 4 shader • 267 million triangles/sec • 1.6 Giga pixel/sec • 32 GFLOPs 32-bit or 64 GFLOPs 16-bit • Support OpenGL ES 1.1, 2.0, 3.0, 3.1, Open CL 1.2, and Vulkan |
| | HDMI Display Interface: <ul style="list-style-type: none"> • HDMI 2.0a supporting one display: resolution up to 4096 x 2160 at 60 Hz, support HDCP 2.2 and HDCP 1.4¹ • 20+ Audio interfaces 32-bit @ 384 kHz fs, with Time Division Multiplexing (TDM) support • S/PDIF input and output • Audio Return Channel (ARC) on HDMI • Upscale HD graphics to 4K for display • Downscale 4K video to HD for display • Display Port • Embedded Display Port |
| | MIPI-DSI Display Interface: <ul style="list-style-type: none"> • MIPI-DSI 4 channels supporting one display, resolution up to 1920 x 1080 at 60 Hz • LCDIF display controller • Output can be LCDIF output or DC display controller output |
| | Audio: <ul style="list-style-type: none"> • S/PDIF input and output • Five synchronous audio interface (SAI) modules supporting I2S, AC97, TDM, and codec/DSP interfaces, including one SAI with 16 Tx and 16 Rx channels, one SAI with 8 Tx and 8 Rx channels, and three SAI with 2 Tx and 2 Rx channels • One SAI for 8 Tx channels for HDMI output audio • One S/PDIF input for HDMI ARC input |
| | Camera inputs: <ul style="list-style-type: none"> • Two MIPI-CSI2 camera inputs (4-lane each) |
| | Security |
| Arm TrustZone (TZ) architecture | |
| On-chip RAM (OCRAM) secure region protection using OCRAM controller | |
| High Assurance Boot (HAB) | |
| Cryptographic acceleration and assurance (CAAM) module | |
| Secure non-volatile storage (SNVS): Secure real-time clock (RTC) | |
| Secure JTAG controller (SJC) | |

Table 1. Features (continued)

| Subsystem | Feature |
|--------------|---|
| System debug | Arm CoreSight debug and trace architecture |
| | TPIU to support off-chip real-time trace |
| | ETF with 4 KB internal storage to provide trace buffering |
| | Unified trace capability for Quad Cortex-A53 and Cortex-M4 CPUs |
| | Cross Triggering Interface (CTI) |
| | Support for 5-pin (JTAG) debug interface |

¹ Please contact the NXP sales and marketing team for order details on HDCP enable parts.

NOTE

The actual feature set depends on the part numbers as described in [Table 2](#). Functions such as display and camera interfaces, and connectivity interfaces, may not be enabled for specific part numbers.

1.1 Block diagram

Figure 1 shows the functional modules in the i.MX 8M Dual / 8M QuadLite / 8M Quad processor system.

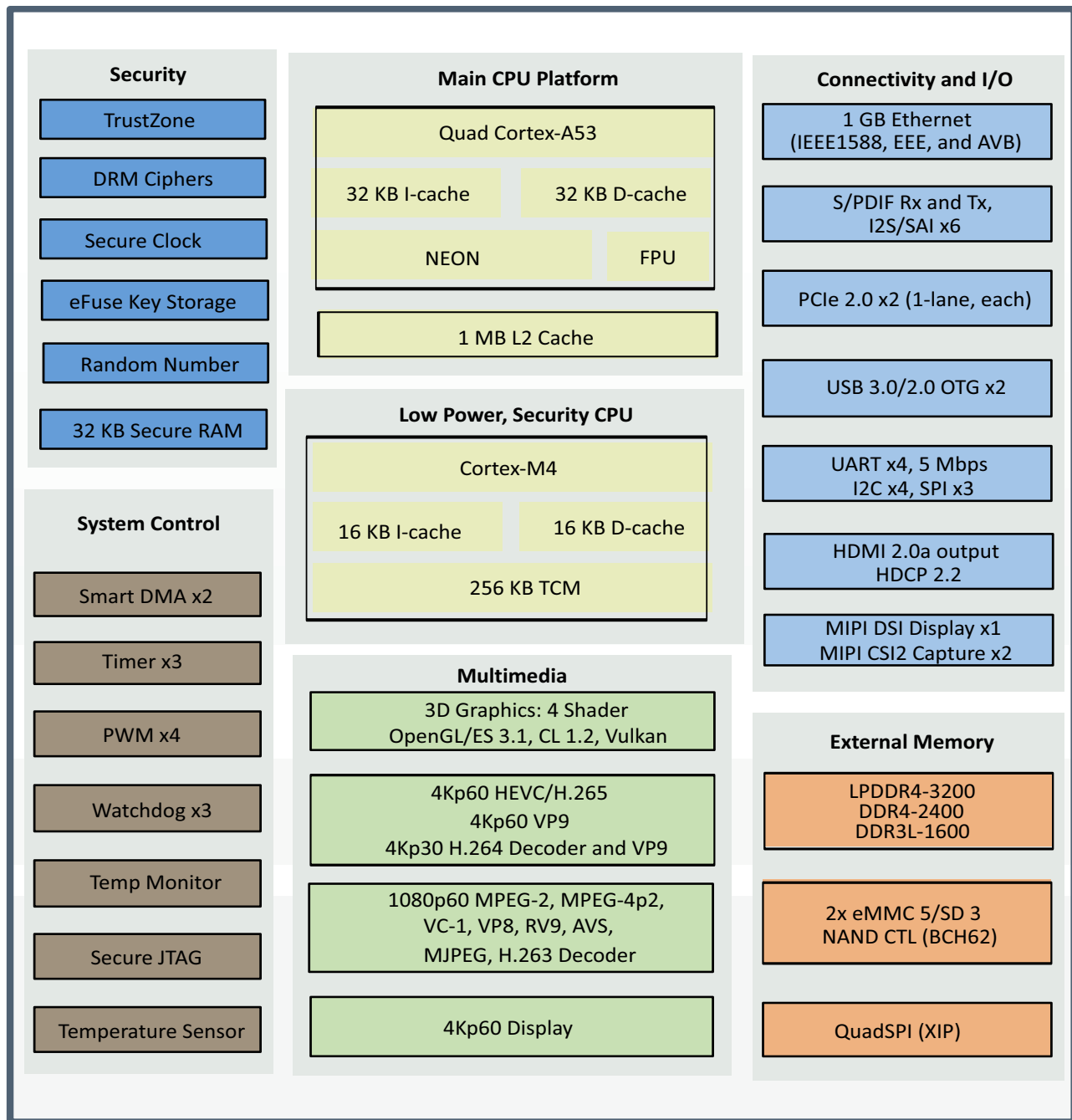


Figure 1. i.MX 8M Dual / 8M QuadLite / 8M Quad system block diagram

1.2 Ordering information

Table 2 shows examples of orderable sample part numbers covered by this data sheet. This table does not include all possible orderable part numbers. If your desired part number is not listed in the table, or you have questions about available parts, contact your NXP representative.

Table 2. Orderable part numbers

| Part number ¹ | Options | Cortex-A53 CPU speed grade | Qualification tier | Temperature T _j (°C) | Package |
|--------------------------|--------------|----------------------------|--------------------|---------------------------------|---------------------------------|
| MIMX8MQ7DVAJZAA | 8M Quad | 1.5 GHz | Consumer | 0 to +95 | 17 x 17 mm, 0.65 mm pitch, FBGA |
| MIMX8MQ6DVAJZAA | 8M Quad | 1.5 GHz | Consumer | 0 to +95 | 17 x 17 mm, 0.65 mm pitch, FBGA |
| MIMX8MD7DVAJZAA | 8M Dual | 1.5 GHz | Consumer | 0 to +95 | 17 x 17 mm, 0.65 mm pitch, FBGA |
| MIMX8MD6DVAJZAA | 8M Dual | 1.5 GHz | Consumer | 0 to +95 | 17 x 17 mm, 0.65 mm pitch, FBGA |
| MIMX8MQ5DVAJZAA | 8M Quad Lite | 1.5 GHz | Consumer | 0 to +95 | 17 x 17 mm, 0.65 mm pitch, FBGA |

¹ Part number requires a Dolby Vision™ license from Dolby.

Figure 2 describes the part number nomenclature so that the users can identify the characteristics of the specific part number.

Contact an NXP representative for additional details.

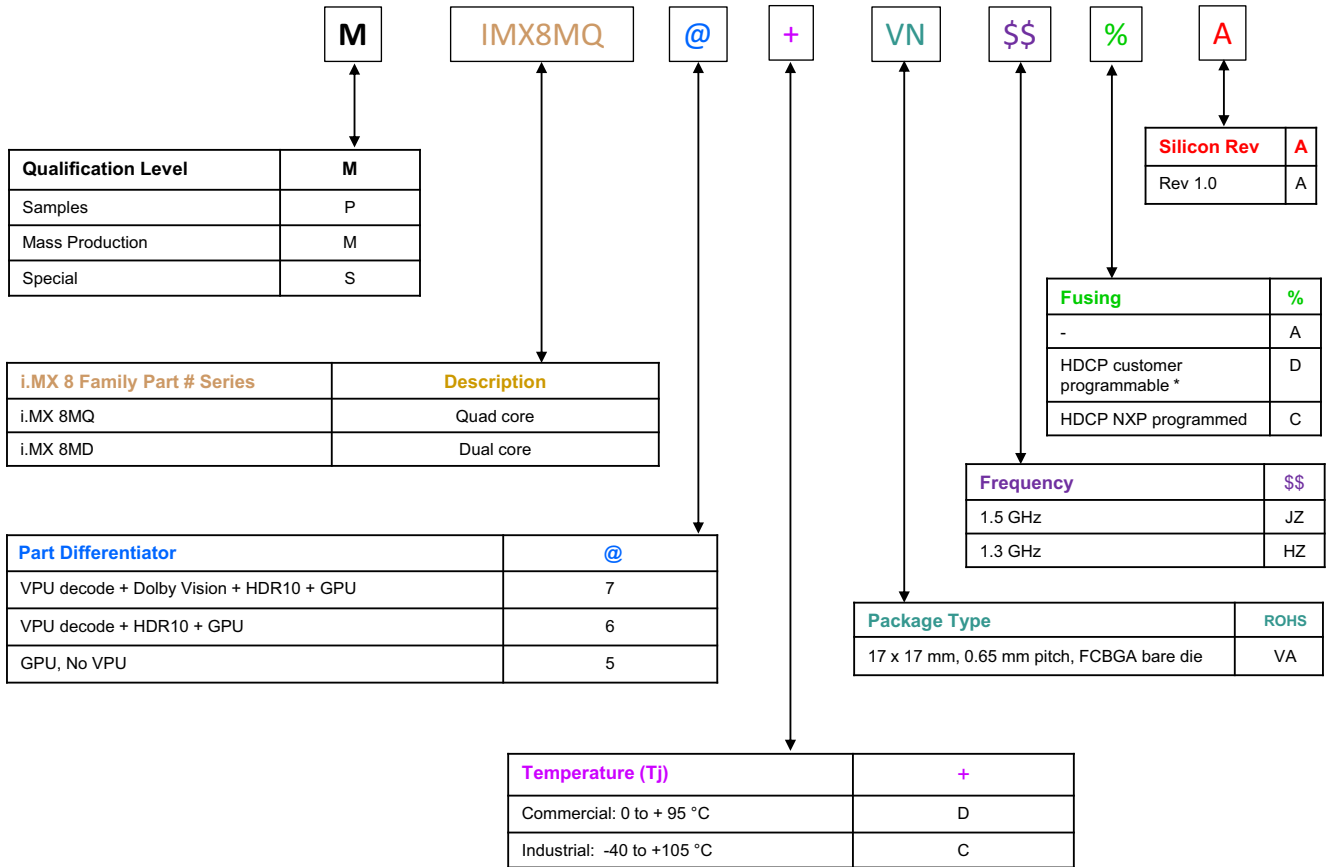


Figure 2. Part number nomenclature—i.MX 8M Dual / 8M QuadLite / 8M Quad processors

*Please contact the NXP sales and marketing team for order details on HDCP enable parts.

2 Modules list

The i.MX 8M Dual / 8M QuadLite / 8M Quad of processors contain a variety of digital and analog modules. [Table 3](#) describes these modules in alphabetical order.

Table 3. i.MX 8M Dual / 8M QuadLite / 8M Quad modules list

| Block mnemonic | Block name | Brief description |
|---|---|---|
| APBH-DMA | NAND Flash and BCH ECC DMA Controller | DMA controller used for GPMI2 operation. |
| Arm | Arm Platform | The Arm Core Platform includes a quad Cortex-A53 core and a Cortex-M4 core. The Cortex-A53 core includes associated sub-blocks, such as the Level 2 Cache Controller, Snoop Control Unit (SCU), General Interrupt Controller (GIC), private timers, watchdog, and CoreSight debug modules. The Cortex-M4 core is used as a customer microcontroller. |
| BCH | Binary-BCH ECC Processor | The BCH module provides up to 62-bit ECC encryption/decryption for NAND Flash controller (GPMI) |
| CAAM | Cryptographic accelerator and assurance module | CAAM is a cryptographic accelerator and assurance module. CAAM implements several encryption and hashing functions, a run-time integrity checker, entropy source generator, and a Pseudo Random Number Generator (PRNG). The PRNG is certifiable by the Cryptographic Algorithm Validation Program (CAVP) of the National Institute of Standards and Technology (NIST). CAAM also implements a Secure Memory mechanism. In i.MX 8M Dual / 8M QuadLite / 8M Quad processors, the secure memory provided is 32 KB. |
| CCM GPC SRC | Clock Control Module, General Power Controller, System Reset Controller | These modules are responsible for clock and reset distribution in the system, and also for the system power management. |
| CSU | Central Security Unit | The Central Security Unit (CSU) is responsible for setting comprehensive security policy within the i.MX 8M Dual / 8M QuadLite / 8M Quad platform. |
| CTI-0 CTI-1 CTI-2 CTI-3 CTI-4 | Cross Trigger Interface | Cross Trigger Interface (CTI) allows cross-triggering based on inputs from masters attached to CTIs. The CTI module is internal to the Cortex-A53 core platform. |
| DAP | Debug Access Port | The DAP provides real-time access for the debugger without halting the core to access: <ul style="list-style-type: none"> • System memory and peripheral registers • All debug configuration registers The DAP also provides debugger access to JTAG scan chains. |
| DC | Display Controller | Dual display controller |
| DDRC | Double Data Rate Controller | The DDR Controller has the following features: <ul style="list-style-type: none"> • Supports 32/16-bit LPDDR4-3200, DDR4-2400, and DDR3L-1600 • Supports up to 8 Gbyte DDR memory space |
| eCSPI1 eCSPI2 eCSPI3 | Configurable SPI | Full-duplex enhanced Synchronous Serial Interface, with data rate up to 52 Mbit/s. Configurable to support Master/Slave modes, four chip selects to support multiple peripherals. |

Table 3. i.MX 8M Dual / 8M QuadLite / 8M Quad modules list (continued)

| Block mnemonic | Block name | Brief description |
|--|----------------------------------|---|
| EIM | NOR-Flash / PSRAM interface | The EIM NOR-FLASH / PSRAM provides: <ul style="list-style-type: none"> • Support for 16-bit (in Muxed I/O mode only) PSRAM memories (sync and async operating modes), at slow frequency • Support for 16-bit (in muxed and non muxed I/O modes) NOR-Flash memories, at slow frequency • Multiple chip selects |
| ENET1 | Ethernet Controller | The Ethernet Media Access Controller (MAC) is designed to support 10/100/1000 Mbps Ethernet/IEEE 802.3 networks. An external transceiver interface and transceiver function are required to complete the interface to the media. The module has dedicated hardware to support the IEEE 1588 standard. See the ENET chapter of the <i>i.MX 8M Dual / 8M QuadLite / 8M Quad Applications Processor Reference Manual (IMX8MDQLQRM)</i> for details. |
| GIC | Generic Interrupt Controller | The GIC handles all interrupts from the various subsystems and is ready for virtualization. |
| GPIO1 GPIO2 GPIO3 GPIO4 GPIO5 | General Purpose I/O Modules | Used for general purpose input/output to external ICs. Each GPIO module supports up to 32 bits of I/O. |
| GPMI | General Purpose Memory Interface | The GPMI module supports up to 8x NAND devices and 62-bit ECC encryption/decryption for NAND Flash Controller (GPMI2). GPMI supports separate DMA channels for each NAND device. |
| GPT1 GPT2 GPT3 GPT4 GPT5 GPT6 | General Purpose Timer | Each GPT is a 32-bit “free-running” or “set-and-forget” mode timer with programmable prescaler and compare and capture register. A timer counter value can be captured using an external event and can be configured to trigger a capture event on either the leading or trailing edges of an input pulse. When the timer is configured to operate in “set-and-forget” mode, it is capable of providing precise interrupts at regular intervals with minimal processor intervention. The counter has output compare logic to provide the status and interrupt at comparison. This timer can be configured to run either on an external clock or on an internal clock. |
| GPU3D | Graphics Processing Unit-3D | The GPU3D provides hardware acceleration for 3D graphics algorithms with sufficient processor power to run desktop quality interactive graphics applications on displays. |
| HDMI Tx | HDMI Tx interface | The HDMI module provides an HDMI standard interface port to an HDMI 2.0a-compliant display. |
| I2C1 I2C2 I2C3 I2C4 | I ² C Interface | I ² C provides serial interface for external devices. |
| IOMUXC | IOMUX Control | This module enables flexible I/O multiplexing. Each IO pad has a default as well as several alternate functions. The alternate functions are software configurable. |
| LCDIF | LCD interface | The LCDIF is a general purpose display controller used to drive a wide range of display devices varying in size and capability. |

Table 3. i.MX 8M Dual / 8M QuadLite / 8M Quad modules list (continued)

| Block mnemonic | Block name | Brief description |
|--|-------------------------------|---|
| MIPI CSI2 (four-lane) | MIPI Camera Serial Interface | This module provides two four-lane MIPI camera serial interfaces, each of them can operate up to a maximum bit rate of 1.5 Gbps. |
| MIPI DSI (four-lane) | MIPI Display Serial Interface | This module provides a four-lane MIPI display serial interface operating up to a maximum bit rate of 1.5 Gbps. |
| OCOTP_CTRL | OTP Controller | The On-Chip OTP controller (OCOTP_CTRL) provides an interface for reading, programming, and/or overriding identification and control information stored in on-chip fuse elements. The module supports electrically programmable poly fuses (eFUSES). The OCOTP_CTRL also provides a set of volatile software-accessible signals that can be used for software control of hardware elements, not requiring non volatility. The OCOTP_CTRL provides the primary user-visible mechanism for interfacing with on-chip fuse elements. Among the uses for the fuses are unique chip identifiers, mask revision numbers, cryptographic keys, JTAG secure mode, boot characteristics, and various control signals requiring permanent non volatility. |
| OCRAM | On-Chip Memory controller | The On-Chip Memory controller (OCRAM) module is designed as an interface between the system's AXI bus and the internal (on-chip) SRAM memory module. In i.MX 8M Dual / 8M QuadLite / 8M Quad processors, the OCRAM is used for controlling the 128 KB multimedia RAM through a 64-bit AXI bus. |
| PCIe1 PCIe2 | 2x PCI Express 2.0 | The PCIe IP provides PCI Express Gen 2.0 functionality. |
| PMU | Power Management Unit | Integrated power management unit. Used to provide power to various SoC domains. |
| PWM1 PWM2 PWM3 PWM4 | Pulse Width Modulation | The pulse-width modulator (PWM) has a 16-bit counter and is optimized to generate sound from stored sample audio images. It can also generate tones. It uses 16-bit resolution and a 4x16 data FIFO to generate sound. |
| QSPI | Quad SPI | The Quad SPI module acts as an interface to external serial flash devices. This module contains the following features: <ul style="list-style-type: none"> • Flexible sequence engine to support various flash vendor devices • Single pad/Dual pad/Quad pad mode of operation • Single Data Rate/Double Data Rate mode of operation • Parallel Flash mode • DMA support • Memory mapped read access to connected flash devices • Multi master access with priority and flexible and configurable buffer for each master |
| SAI1 SAI2 SAI3 SAI4 SAI5 SAI6 | Synchronous Audio Interface | The SAI module provides a synchronous audio interface (SAI) that supports full duplex serial interfaces with frame synchronization, such as I2S, AC97, TDM, and codec/DSP interfaces. |

Table 3. i.MX 8M Dual / 8M QuadLite / 8M Quad modules list (continued)

| Block mnemonic | Block name | Brief description |
|----------------------------------|--|---|
| SDMA | Smart Direct Memory Access | <p>The SDMA is a multichannel flexible DMA engine. It helps in maximizing system performance by offloading the various cores in dynamic data routing. It has the following features:</p> <ul style="list-style-type: none"> • Powered by a 16-bit Instruction-Set micro-RISC engine • Multi channel DMA supporting up to 32 time-division multiplexed DMA channels • 48 events with total flexibility to trigger any combination of channels • Memory accesses including linear, FIFO, and 2D addressing • Shared peripherals between Arm and SDMA • Very fast Context-Switching with 2-level priority based preemptive multi tasking • DMA units with auto-flush and prefetch capability • Flexible address management for DMA transfers (increment, decrement, and no address changes on source and destination address) • DMA ports can handle unidirectional and bidirectional flows (Copy mode) • Up to 8-word buffer for configurable burst transfers for EMIv2.5 • Support of byte-swapping and CRC calculations • Library of Scripts and API is available |
| SJC | Secure JTAG Controller | <p>The SJC provides JTAG interface (designed to be compatible with JTAG TAP standards) to internal logic. The i.MX 8M Dual / 8M QuadLite / 8M Quad of processors use JTAG port for production, testing, and system debugging. Additionally, the SJC provides BSR (Boundary Scan Register) standard support, designed to be compatible with IEEE 1149.1 and IEEE 1149.6 standards.</p> <p>The JTAG port must be accessible during platform initial laboratory bring-up, for manufacturing tests and troubleshooting, as well as for software debugging by authorized entities. The SJC of the i.MX 8M Dual / 8M QuadLite / 8M Quad incorporates three security modes for protecting against unauthorized accesses. Modes are selected through eFUSE configuration.</p> |
| SNVS | Secure Non-Volatile Storage | Secure Non-Volatile Storage, including Secure Real Time Clock, Security State Machine, and Master Key Control. |
| SPDIF1 SPDIF2 | Sony Philips Digital Interconnect Format | A standard audio file transfer format, developed jointly by the Sony and Phillips corporations. It supports Transmitter and Receiver functionality. |
| TEMPSENSOR | Temperature Sensor | Temperature sensor |
| TZASC | Trust-Zone Address Space Controller | The TZASC (TZC-380 by Arm) provides security address region control functions required for intended application. It is used on the path to the DRAM controller. |
| UART1 UART2 UART3 UART4 | UART Interface | <p>Each of the UARTv2 modules supports the following serial data transmit/receive protocols and configurations:</p> <ul style="list-style-type: none"> • 7- or 8-bit data words, 1 or 2 stop bits, programmable parity (even, odd, or none) • Programmable baud rates up to 4 Mbps. This is a higher max baud rate relative to the 1.875 MHz, which is stated by the TIA/EIA-232-F standard. • 32-byte FIFO on Tx and 32 half-word FIFO on Rx supporting auto-baud |

Table 3. i.MX 8M Dual / 8M QuadLite / 8M Quad modules list (continued)

| Block mnemonic | Block name | Brief description |
|-------------------------|--|---|
| uSDHC1 uSDHC2 | SD/MMC and SDXC Enhanced Multi-Media Card / Secure Digital Host Controller | The i.MX 8M Dual / 8M QuadLite / 8M Quad SoC characteristics: All the MMC/SD/SDIO controller IPs are based on the uSDHC IP. They are designed to support: <ul style="list-style-type: none"> • SD/SDIO standard, up to version 3.0. • MMC standard, up to version 5.0. • 1.8 V and 3.3 V operation, but do not support 1.2 V operation. • 1-bit/4-bit SD and SDIO modes, 1-bit/4-bit/8-bit MMC mode. One uSDHC controller (SD1) can support up to an 8-bit interface, the other controller (SD2) can only support up to a 4-bit interface. |
| USB 3.0/2.0 | 2x USB 3.0/2.0 controllers and PHYs | Two USB controllers and PHYs that support USB 3.0 and USB 2.0. Each USB instance contains: <ul style="list-style-type: none"> • USB 3.0 core, which can operate in both 3.0 and 2.0 mode |
| VPU | Video Processing Unit | A high performing video processing unit (VPU), which covers many SD-level and HD-level video decoders. See the <i>i.MX 8M Dual / 8M QuadLite / 8M Quad Applications Processor Reference Manual</i> (IMX8MDQLQRM) for a complete list of the VPU's decoding and encoding capabilities. |
| WDOG1 WDOG2 WDOG3 | Watchdog | The watchdog (WDOG) timer supports two comparison points during each counting period. Each of the comparison points is configurable to evoke an interrupt to the Arm core, and a second point evokes an external event on the WDOG line. |
| XTALOSC | Crystal Oscillator interface | The XTALOSC module enables connectivity to an external crystal oscillator device. |

2.1 Recommended connections for unused interfaces

The recommended connections for unused analog interfaces can be found in the Section, “Unused Input/Output Terminations,” in the hardware development guide for the device.

3 Electrical characteristics

This section provides the device and module-level electrical characteristics for the i.MX 8M Dual / 8M QuadLite / 8M Quad processors.

3.1 Chip-level conditions

This section provides the device-level electrical characteristics for the IC. See [Table 4](#) for a quick reference to the individual tables and sections.

Table 4. i.MX 8M Dual / 8M QuadLite / 8M Quad chip-level conditions

| For these characteristics, ... | Topic appears ... |
|---|----------------------------|
| Absolute maximum ratings | on page 13 |
| FPBGA package thermal resistance | on page 14 |
| Operating ranges | on page 15 |
| External clock sources | on page 17 |
| Maximum supply currents | on page 18 |
| Power modes | on page 19 |
| USB PHY Suspend current consumption | on page 22 |

3.1.1 Absolute maximum ratings

CAUTION

Stresses beyond those listed under [Table 5](#) may affect reliability or cause permanent damage to the device. These are stress ratings only. Functional operation of the device at these or any other conditions beyond those indicated in the operating ranges or parameters tables is not implied.

Table 5. Absolute maximum ratings

| Parameter description | Symbol | Min | Max | Unit | Notes |
|-----------------------|--------------------|-----|-----|------|--------------------------------|
| Core supply voltages | VDD_ARM VDD_SOC | 0 | 1.1 | V | 1.1 V is for VDD_ARM overdrive |
| Power supply for GPU | VDD_GPU | 0 | 1.1 | V | 1.1 V is for overdrive |
| Power supply for VPU | VDD_VPU | 0 | 1.1 | V | Nominal mode |
| | | 0 | 1.1 | V | Overdrive mode |

Table 5. Absolute maximum ratings (continued)

| Parameter description | Symbol | Min | Max | Unit | Notes |
|---|--|-----|--------------------------|------|-----------------------------|
| GPIO supply voltage | NVCC_JTAG, NVCCGPIO1, NVCC_ENT, NVCC_SD1, NVCC_SD2, NVCC_NAND, NVCC_SAI1, NVCC_SAI2, NVCC_SAI3, NVCC_SAI5, NVCC_ECSPI, NVCC_I2C, NVCC_UART | 0 | 3.6 | V | 1.8 V mode/3.3 V mode |
| SNVS IO supply voltage | NVCC_SNVS | 0 | 3.6 | V | 3.3 V mode only |
| VDD_SNVS supply voltage | VDD_SNVS | 0 | 0.99 | V | — |
| USB high supply voltage | USB1_VDD33, USB1_VPH, USB2_VDD33, USB2_VPH | 0 | 3.63 | V | — |
| USB_VBUS input detected | USB1_VBUS, USB2_VBUS | 0 | 5.25 | V | — |
| Input voltage on USB*_DP, USB*_DN pins | USB1_DP/USB1_DN USB2_DP/USB2_DN | 0 | USB1_VDD33 USB2_VDD33 | V | — |
| Input/output voltage range | V_{in}/V_{out} | 0 | OVDD ¹ +0.3 | V | — |
| ESD damage immunity: | V_{esd} | | | | — |
| • Human Body Model (HBM) | | — | 2000 | V | |
| • Charge Device Model (CDM) | | — | 500 | | |
| Storage temperature range | T _{STORAGE} | -40 | 150 | °C | — |

¹ OVDD is the I/O supply voltage.

3.1.2 Thermal resistance

3.1.2.1 FPBGA package thermal resistance

Table 6 displays the thermal resistance data.

Table 6. Thermal resistance data

| Rating | Test conditions | Symbol | 17 x 17 pkg value | Unit |
|----------------------------------|--|--------------------------------------|----------------------|--------------|
| Junction to Ambient ¹ | Single-layer board (1s); natural convection ² Four-layer board (2s2p); natural convection ² | R _{θJA} R _{θJA} | Bare die: 16.4 | °C/W °C/W |
| Junction to Ambient ¹ | Single-layer board (1s); airflow 200 ft/min ^{2,3} Four-layer board (2s2p); airflow 200 ft/min ^{2,3} | R _{θJA} R _{θJA} | Bare die: 13.9 | °C/W °C/W |
| Junction to Board ^{1,4} | — | R _{θJB} | Bare die: 4.6 | °C/W |
| Junction to Case ^{1,5} | — | R _{θJC} | Bare die: 0.1 | °C/W |

¹ Junction temperature is a function of die size, on-chip power dissipation, package thermal resistance, mounting site (board) temperature, ambient temperature, air flow, power dissipation of other components on the board, and board thermal resistance.

² Per JEDEC JESD51-2 with the single layer board horizontal. Thermal test board meets JEDEC specification for the specified package.

- ³ Per JEDEC JESD51-6 with the board horizontal.
- ⁴ Thermal resistance between the die and the printed circuit board per JEDEC JESD51-8. Board temperature is measured on the top surface of the board near the package.
- ⁵ Thermal resistance between the die and the case top surface as measured by the cold plate method (MIL SPEC-883 Method 1012.1).

3.1.3 Operating ranges

Table 7 provides the operating ranges of the i.MX 8M Dual / 8M QuadLite / 8M Quad processors. For details on the chip's power structure, see the “Power Management Unit (PMU)” chapter of the *i.MX 8M Dual / 8M QuadLite / 8M Quad Applications Processor Reference Manual (IMX8MDQLQRM)*.

Table 7. Operating ranges

| Parameter description | Symbol | Min | Typ | Max ¹ | Unit | Comment |
|-----------------------------|-----------|------|-----|------------------|------|--|
| Power supply for Quad-A53 | VDD_ARM | 0.81 | 0.9 | 1.05 | V | Nominal mode—the maximum Arm core frequency supported in this mode is 1000 MHz. |
| | | 0.9 | 1.0 | 1.05 | V | Overdrive mode—the maximum Arm core frequency supported in this mode is defined in Table 2. |
| Power supply for SoC logic | VDD_SOC | 0.81 | 0.9 | 0.99 | V | — |
| Power supply for GPU | VDD_GPU | 0.81 | 0.9 | 1.05 | V | Nominal mode—the maximum GPU frequency supported in this mode is 800 MHz. |
| | | 0.9 | 1.0 | 1.05 | V | Overdrive mode—the maximum GPU frequency supported in this mode is 1 GHz. |
| Power supply for VPU | VDD_VPU | 0.81 | 0.9 | 1.05 | V | Nominal mode—the maximum VPU frequency supported in this mode is 550/500/588 MHz. |
| | | 0.9 | 1.0 | 1.05 | V | Overdrive mode—the maximum VPU G2/G1/AXI Bus frequency supported in this mode is 660/600/800 MHz. |
| Core voltage | VDD_DRAM | 0.81 | 0.9 | 1.05 | V | Nominal mode—the maximum DRAM working frequency supported in this mode is 933 MHz. |
| | | 0.99 | 1.0 | 1.05 | V | Overdrive mode—the maximum DRAM working frequency supported in this mode is 1600 MHz |
| Power Supply Analog Domain | VDDA_1P8 | 1.62 | 1.8 | 1.98 | V | Power for internal analog blocks—must match the range of voltages that the rechargeable backup battery supports. |
| PLL 1.8 V supply voltage | VDDA_DRAM | 1.71 | 1.8 | 1.89 | V | — |
| Backup battery supply range | VDD_SNVS | 0.81 | 0.9 | 0.99 | V | — |

Table 7. Operating ranges (continued)

| Parameter description | Symbol | Min | Typ | Max ¹ | Unit | Comment |
|---------------------------|---|-------------------------|------------------------|-------------------------|------|--|
| Supply for 25 MHz crystal | VDD_1P8_XTAL_25M | 1.6 | 1.8 | 1.98 | V | — |
| Supply for 27 MHz crystal | VDD_1P8_XTAL_27M | 1.6 | 1.8 | 1.98 | V | — |
| Temperature sensor | VDD_1P8_TSENSOR | 1.6 | 1.8 | 1.98 | V | — |
| USB supply voltages | USB1_VDD33/ USB1_VPH | 3.069 | 3.3 | 3.63 | V | This rail is for USB |
| | USB2_VDD33/ USB2_VPH | 3.069 | 3.3 | 3.63 | V | This rail is for USB |
| | USB1/2_DVDD | 0.837 | 0.900 | 0.990 | V | 0.9 V supply for USB high speed operation |
| | USB1/2_VP | 0.837 | 0.900 | 0.990 | V | 0.9 V supply for USB super speed operation |
| | USB1/2_VPTX | 0.837 | 0.900 | 0.990 | V | 0.9 V supply for PHY transmit |
| DDR I/O supply voltage | NVCC_DRAM | 1.06 | 1.10 | 1.17 | V | LPDDR4 |
| | | 1.14 | 1.2 | 1.26 | V | DDR4 |
| | | 1.28 | 1.35 | 1.42 | V | DDR3L |
| | DRAM_VREF | 0.49 x NVCC_D RAM | 0.5 x NVCC_D RAM | 0.51 x NVCC_D RAM | V | Set to one-half NVCC_DRAM |
| GPIO supply voltages | NVCC_JTAG, NVCC_SD1, NVCC_SD2, NVCC_NAND, NVCC_SAI1, NVCC_SAI2, NVCC_SAI3, NVCC_SAI5, NVCC_ECSPi, NVCC_I2C, NVCC_UART | 1.65, 3.0 | 1.8, 3.3 | 1.95, 3.6 | V | — |
| | NVCC_ENET | 1.65, 2.25 3.0 | 1.8, 2.5 3.3 | 1.95, 2.75 3.6 | V | — |
| | NVCC_GPIO1 | 1.65 3.0 | 1.8, 3.3 | 1.95, 3.6 | V | Power for GPIO1_IO00 ~ GPIO1_IO15 |
| | NVCC_SNVS | 3.0 | 3.3 | 3.6 | V | Power for 3.3 V only |
| HDMI supply voltage | HDMI_AVDDCLK | 0.850 | 0.900 | 0.990 | V | 0.9 V supply for HDMI high speed clock |
| | HDMI_AVDDIO | 1.700 | 1.800 | 1.900 | V | 1.8 V supply for HDMI bias and PLL |
| | HDMI_AVDDCORE | 0.850 | 0.900 | 0.990 | V | 0.9 V supply for HDMI analog |

Table 7. Operating ranges (continued)

| Parameter description | Symbol | Min | Typ | Max ¹ | Unit | Comment |
|---------------------------------------|--------------------|----------------|------------|------------------|------|---|
| MIPI supply voltage | MIPI_VDDA | 0.81 | 0.9/1.0 | 1.1 | V | Analog core power supply |
| | MIPI_VDDHA | 1.62 | 1.8 | 1.98 | V | Analog IO power supply |
| | MIPI_VDD | 0.81 | 0.9/1.0 | 1.1 | V | Digital core power supply |
| | MIPI_VDDPLL | 0.81 | 0.9/1.0 | 1.1 | V | Analog supply for MIPI PLL |
| Voltage rails supplied from 1.8 V PHY | PCIE_VPH | 1.674 3.069 | 1.8 3.3 | 1.98 3.63 | V | Supplied from PMIC |
| | PCIE_VP, PCIE_VPTX | 0.837 | 0.9 | 0.99 | V | Supplied from PMIC |
| Temperature sensor accuracy | T _{delta} | — | ±3 | — | °C | Typical accuracy over the range -40°C to 125°C |
| Fuse power | EFUSE_VQPS | 1.71 | 1.8 | 1.98 | V | Power supply for internal use |
| Junction temperature, consumer | T _J | 0 | — | +95 | °C | See Table 2 for complete list of junction temperature capabilities. |

¹ Applying the maximum voltage results in maximum power consumption and heat generation. A voltage set point = (V_{min} + the supply tolerance) is recommended. This result in an optimized power/speed ratio.

3.1.4 External clock sources

A 25 MHz oscillator is used as the primary clock source for the PLLs to generate the clock for CPU, BUS, and high-speed interfaces. For fractional PLLs, the 25 MHz clock from the oscillator can be directly used as the PLL reference clock.

A 27 MHz oscillator is used as the reference clock for HDMI PHY. Also it can be used as the alternative source for the fractional PLLs.

A 32 kHz clock input pin is used as the RTC clock source. It is expected to be supplied by an external 32.768 kHz oscillator. When an external RTC clock input is not present, the 32 kHz clock for internal logic is generated by the 25 MHz oscillator. The frequency of the internal 32 kHz clock will be 31.25 kHz.

Two pairs of differential clock inputs, named as CLK1P and CLK1N, can be used as the reference clock for the PLL. This is mainly used for a high-speed clock input during testing.

Four clock inputs to the CCM from normal GPIO pads via IOMUX can be used as the clock sources in the CCM.

Table 8 shows the interface frequency requirements.

Table 8. External input clock frequency

| Parameter description | Symbol | Min | Typ | Max | Unit |
|----------------------------------|-------------------|-----|---------------------|-----|------|
| RTC ^{1,2} | f _{ckil} | — | 32.768 ³ | — | kHz |
| XTALI_25M/XTALO_25M ² | f _{xtal} | 20 | 25 | 40 | MHz |
| XTALI_27M/XTALO_27M ² | f _{xtal} | 20 | 27 | 40 | MHz |

¹ External oscillator or a crystal with internal oscillator amplifier.

Electrical characteristics

² The required frequency stability of this clock source is application dependent.

³ Recommended nominal frequency 32.768 kHz.

The typical values shown in [Table 8](#) are required for use with NXP BSPs to ensure precise time keeping and USB operation. For RTC operation, two clock sources are available. The decision of choosing a clock source should be made based on real-time clock use and precision timeout.

3.1.5 Maximum supply currents

[Table 9](#) represents the maximum momentary current transients on power lines and should be used for power supply selection. Maximum currents are higher by far than the average power consumption of typical use cases.

Table 9. Maximum supply currents¹

| Power rail | Max current | Unit |
|------------|--|------|
| VDD_ARM | 384 to 2410 ¹ | mA |
| VDD_SOC | 1400 to 1870 ¹ | mA |
| VDD_GPU | 0 to 2040 ¹ | mA |
| VDD_VPU | 0 to 610 ¹ | mA |
| VDD_DRAM | 600 to 870 ¹ | mA |
| VDDA_0P9 | 50 | mA |
| VDDA_1P8 | 20 | mA |
| VDDA_DRAM | 30 | mA |
| VDD_SNVS | 5 | mA |
| NVCC_SNVS | 5 | mA |
| NVCC_<XXX> | $I_{\max} = N \times C \times V \times (0.5 \times F)$ Where: N—Number of IO pins supplied by the power line C—Equivalent external capacitive load V—IO voltage (0.5 x F)—Data change rate. Up to 0.5 of the clock rate (F). In this equation, I_{\max} is in Amps, C in Farads, V in Volts, and F in Hertz. | |
| NVCC_DRAM | 375 to 750 ¹ | mA |
| DRAM_VFEF | 10 | mA |
| USB1_DVDD | 9.2 | mA |
| USB2_DVDD | 9.2 | mA |
| USB1_VP | 35.7 | mA |
| USB2_VP | 35.7 | mA |
| USB1_VPTX | 21.2 | mA |

Table 9. Maximum supply currents¹ (continued)

| Power rail | Max current | Unit |
|---------------------|-------------|------|
| USB2_VPTX | 21.2 | mA |
| USB1_VDD33 | 24.5 | mA |
| USB2_VDD33 | 24.5 | mA |
| USB1_VPH | 20.3 | mA |
| USB2_VPH | 20.3 | mA |
| PCIE_VP (PCIE1) | 38.1 | mA |
| PCIE_VP (PCIE2) | 38.1 | mA |
| PCIE_VPH (PCIE1) | 43 | mA |
| PCIE_VPH (PCIE2) | 43 | mA |
| PCIE_VPTX (PCIE1) | 14.3 | mA |
| PCIE_VPTX (PCIE2) | 14.3 | mA |
| HDMI_AVDDCLK | 95.89 | mA |
| HDMI_AVDDCORE | | |
| HDMI_AVDDIO | 6.551 | mA |
| MIPI_VDDA (DSI) | 17.1 | mA |
| MIPI_VDDHA (DSI) | 4.2 | mA |
| MIPI_VDD (DSI) | 14.4 | mA |
| MIPI_VDDPLL (DSI) | 3.8 | mA |
| MIPI_VDDA (CSI1/2) | 18.79 | mA |
| MIPI_VDDHA (CSI1/2) | 2.97 | mA |
| EFUSE_VQPS | 96.35 | mA |

¹ Use case dependent

3.1.6 Power modes

The i.MX 8M Dual / 8M QuadLite / 8M Quad processors support the following power modes:

- **RUN Mode:** All external power rails are on, CPU is active and running; other internal modules can be on/off based on application.
- **IDLE Mode:** When there is no thread running and all high-speed devices are not active, the CPU can automatically enter this mode. The CPU can be in the power-gated state but with L2 data retained, DRAM and the bus clock are reduced. Most of the internal logic is clock gated but still remains powered. The M4 core can remain running. Compared with RUN mode, all the external power rails from the PMIC remain the same, and most of the modules still remain in their state.
- **Deep Sleep Mode (DSM):** The most efficient power saving mode where all the clocks are off and all the unnecessary power supplies are off.

Electrical characteristics

- SNVS Mode: This mode is also called RTC mode. Only the power for the SNVS domain remains on to keep RTC and SNVS logic alive.
- OFF Mode: All power rails are off.

Table 10. Chip power in different LP mode

| Mode | Supply | Max. ¹ | Unit |
|-----------------------|--------------------|-------------------|------|
| SNVS | VDD_SNVS (1.0 V) | 1.39 | mA |
| | NVCC_SNVS (3.6 V) | 4.25 | |
| | Total ² | 17 | mW |
| Deep Sleep Mode (DSM) | VDD_SOC (1.0 V) | 148.50 | mA |
| | VDDA_1P8 (2.0 V) | 12.82 | |
| | VDDA_0P9 (1.0 V) | 0.30 | |
| | VDDA_DRAM (1.8 V) | 0.50 | |
| | VDD_SNVS (1.0 V) | 0.25 | |
| | NVCC_SNVS (3.3 V) | 4.80 | |
| | NVCC_DRAM (1.17 V) | 4.51 | |
| | Total ² | 197 | mW |
| IDLE | VDD_ARM (1.0 V) | 152.10 | mA |
| | VDD_SOC (1.0 V) | 132.90 | |
| | VDD_DRAM (1.0 V) | 44.10 | |
| | VDDA_1P8 (2.0 V) | 13.53 | |
| | VDDA_0P9 (1.0 V) | 0.30 | |
| | VDDA_DRAM (1.8 V) | 1.32 | |
| | VDD_SNVS (1.0 V) | 0.25 | |
| | NVCC_SNVS (3.3 V) | 4.34 | |
| | NVCC_DRAM (1.17 V) | 13.12 | |
| | Total ² | 389 | mW |
| RUN | Total | 1 to 4 | mW |

¹ All the power numbers defined in the table are based on typical silicon at 25°C. Use case dependent

² Sum of the listed supply rails.

[Table 11](#) summarizes the external power supply states in all the power modes.

Table 11. The power supply states

| Power rail | OFF | SNVS | SUSPEND | IDLE | RUN |
|------------|-----|------|---------|------|-----|
| VDD_ARM | OFF | OFF | OFF | ON | ON |
| VDD_SOC | OFF | OFF | ON | ON | ON |

Table 11. The power supply states (continued)

| Power rail | OFF | SNVS | SUSPEND | IDLE | RUN |
|------------|-----|------|---------|------|--------|
| VDD_GPU | OFF | OFF | OFF | OFF | ON/OFF |
| VDD_VPU | OFF | OFF | OFF | OFF | ON/OFF |
| VDD_DRAM | OFF | OFF | OFF | ON | ON |
| VDDA_0P9 | OFF | OFF | ON | ON | ON |
| VDDA_1P8 | OFF | OFF | ON | ON | ON |
| VDDA_DRAM | OFF | OFF | ON | ON | ON |
| VDD_SNVS | OFF | ON | ON | ON | ON |
| NVCC_SNVS | OFF | ON | ON | ON | ON |
| NVCC_<XXX> | OFF | OFF | ON | ON | ON |
| NVCC_DRAM | OFF | OFF | ON | ON | ON |
| DRAM_VREF | OFF | OFF | OFF | ON | ON |

3.1.7 USB PHY Suspend current consumption

3.1.7.1 Low power Suspend Mode

The VBUS Valid comparators and their associated bandgap circuits are enabled by default. [Table 12](#) shows the USB interface current consumption in Suspend mode with default settings.

Table 12. USB PHY current consumption in Suspend mode¹

| | USB1_VDD33 | USB2_VDD33 |
|----------------|-------------|-------------|
| Current | 154 μ A | 154 μ A |

¹ Low Power Suspend is enabled by setting USBx_PORTSC1 [PHCD]=1 [Clock Disable (LPSCD)].

3.1.7.2 Power-Down modes

[Table 13](#) shows the USB interface current consumption with only the OTG block powered down.

Table 13. USB PHY current consumption in Sleep mode¹

| | USB1_VDD33 | USB2_VD33 |
|----------------|-------------|-------------|
| Current | 520 μ A | 520 μ A |

¹ VBUS Valid comparators can be disabled through software by setting USBNC_OTG*_PHY_CFG2[OTGDISABLE0] to 1. This signal powers down only the VBUS Valid comparator, and does not control power to the Session Valid Comparator, ADP Probe and Sense comparators, or ID detection circuitry.

In Power-Down mode, everything is powered down, including the USB_VBUS valid comparators and their associated bandgap circuitry in typical condition. [Table 14](#) shows the USB interface current consumption in Power-Down mode.

Table 14. USB PHY current consumption in Power-Down mode¹

| | USB1_VDD33 | USB2_VDD33 |
|----------------|-------------|-------------|
| Current | 146 μ A | 146 μ A |

¹ The VBUS Valid Comparators and their associated bandgap circuits can be disabled through software by setting USBNC_OTG*_PHY_CFG2[OTGDISABLE0] to 1 and USBNC_OTG*_PHY_CFG2[DRVVBUS0] to 0, respectively.

3.1.8 PCIe PHY 2.1 DC electrical characteristics

Table 15. PCIe recommended operating conditions

| Parameter | Description | Min | Max | Unit |
|-----------|--|-----|-------|------|
| PCIE_VP | Low Power Supply Voltage for PHY Core | — | 0.837 | V |
| PCIE_VPTX | PHY transmit supply | — | 0.837 | |
| PCIE_VPH | High Power Supply Voltage for PHY Core | 1.8 | 1.674 | |
| | | 3.3 | 3.069 | |

Table 15. PCIe recommended operating conditions (continued)

| Parameter | Description | Min | Max | Unit |
|----------------|---------------------------------------|-----|-----|------|
| T _A | Commercial Temperature Range | 0 | 70 | °C |
| T _J | Simulation Junction Temperature Range | -40 | 125 | °C |

Note: V_{DD} should have no more than 40 mVpp AC power supply noise superimposed on the high power supply voltage for the PHY core (1.8 V nominal DC value). At the same time, VDD should have no more than 20 mVpp AC power supply noise superimposed on the low power supply voltage for the PHY core (1.0 V nominal value or 1.1 V overdrive DC value).

The power supply voltage variation for the PHY core should have less than ±5% including the board-level power supply variation and on-chip power supply variation due to the finite impedances in the package.

Table 16. PCIe DC electrical characteristics

| Parameter | Description | Min | Typ | Max | Unit | |
|-----------------------|----------------------|----------------|-----|-----------|------|----|
| PCIE1_VP, PCIE2_VP | Power Supply Voltage | 0.9 - 7% | 0.9 | 0.9 + 10% | V | |
| PD | Power Consumption | Normal | — | 40 | — | mW |
| | | Partial Mode | — | 27 | — | mW |
| | | Slumber Mode | — | 7 | — | mW |
| | | Full Powerdown | — | 0.2 | — | mW |

Table 17. PCIe PHY high-speed characteristics

| High Speed I/O Characteristics | | | | | | |
|---|---------------------|----------|------|------|------|-------------------|
| Description | Symbol | Speed | Min. | Typ. | Max. | Unit |
| Unit Interval | UI | 2.5 Gbps | — | 400 | — | ps |
| | | 5.0 Gbps | — | 200 | — | |
| TX Serial output rise time (20% to 80%) | T _{TXRISE} | 2.5 Gbps | 100 | — | — | ps |
| | | 5.0 Gbps | 100 | — | — | |
| TX Serial output fall time (80% to 20%) | T _{TXFALL} | 2.5 Gbps | 100 | — | — | ps |
| | | 5.0 Gbps | 100 | — | — | |
| TX Serial data output voltage (Differential, pk-pk) | ΔV _{TX} | 2.5 Gbps | 800 | — | 1100 | mV _{p-p} |
| | | 5.0 Gbps | 600 | — | 900 | |
| PCIe Tx deterministic jitter < 1.5 MHz | TRJ | 2.5 Gbps | 3 | — | — | ps, rms |
| | | 5.0 Gbps | 3 | — | — | |
| PCIe Tx deterministic jitter > 1.5 MHz | TDJ | 2.5 Gbps | — | — | 20 | ps, pk-pk |
| | | 5.0 Gbps | — | — | 10 | |

Table 17. PCIe PHY high-speed characteristics (continued)

| High Speed I/O Characteristics | | | | | | |
|---|-----------------|----------|------|------|------|-------|
| Description | Symbol | Speed | Min. | Typ. | Max. | Unit |
| RX Serial data input voltage (Differential pk-pk) | ΔV_{RX} | 2.5 Gbps | 120 | — | 1200 | mVp-p |
| | | 5.0 Gbps | 120 | — | 1200 | |

Table 18. PCIe PHY reference clock timing requirements (vp is PIE_VP, 0.9 V power supply)

| Symbol | Parameter | Min. | Typ. | Max. | Unit | Condition |
|--------------|---------------------------------------|----------|------|----------|-----------------|--------------------------------|
| FREF_OFFSET | Reference clock frequency offset | -300 | — | 30 | ppm | — |
| DJREF_CLK | Reference clock cycle to cycle jitter | — | — | 35 | ps | DJ across all frequencies |
| DCREF_CLK | Duty cycle | 40 | — | 60 | % | — |
| VCMREF_CLK | Common mode input level | 0 | — | vp | V | Differential inputs |
| VDREF_CLK | Differential input swing | -0.3 | — | — | V _{PP} | Differential inputs |
| VOLREF_CLK | Single-ended input logic low | -0.3 | — | -0.3 | V | If single-ended input is used. |
| VOHREF_CLK | Single-ended input logic high | vp - 0.3 | — | vp + 0.3 | V | If single-ended input is used. |
| SWREF_CLK | Input edge rate | — | — | — | V/ns | — |
| REF_CLK_SKEW | Reference clock skew (\pm) | — | — | 200 | ps | — |

PCIe PHY interface is compliant with PCIe Express GEN2.

3.2 Power supplies requirements and restrictions

The system design must comply with power-up sequence, power-down sequence, and steady state guidelines as described in this section to guarantee the reliable operation of the device. Any deviation from these sequences may result in the following situations:

- Excessive current during power-up phase
- Prevention of the device from booting
- Irreversible damage to the processor (worst-case scenario)

3.2.1 Power-up sequence

The i.MX 8M Dual / 8M QuadLite / 8M Quad processors have the following power-up sequence requirements:

- Turn on NVCC_SNVS
- Turn on VDD_SNVS
- RTC_RESET_B release
- Turn on VDD_SOC and VDDA_0P9

- Turn on VDD_ARM, VDD_GPU, VDD_VPU, and VDD_DRAM (no sequence between these four rails)
- Turn on VDDA_1P8_XXX, VDDA_DRAM (no sequence between these rails)
- Turn on NVCC_XXX and NVCC_DRAM (no sequence between these rails)
- POR_B release (it should be asserted during the entire power up sequence)

If the GPU/VPU is not used during the ROM boot sequence, VDD_GPU/VDD_VPU can stay off to reduce the power during boot, and then turned on by software afterwards.

During the chip power up, the power of the PCIe PHY, USB PHY, HDMI PHY, and MIPI PHY could stay off. After chip power up, the power of these PHYs should be turned on. If any of the PHY power are turned on during the power up sequence, the POR_B can be released after the PHY power is stable.

3.2.2 Power-down sequence

The i.MX 8M Dual / 8M QuadLite / 8M Quad processors have the following power-down sequence requirements:

- Turn off NVCC_SNVS and VDD_SNVS last
- Turn off VDD_SOC after the other power rails or at the same time as other rails
- No sequence for other power rails during power down

3.2.3 Power supplies usage

I/O pins should not be externally driven while the I/O power supply for the pin (NVCC_XXX) is OFF. This can cause internal latch-up and malfunctions due to reverse current flows. For information about the I/O power supply of each pin, see “Power Rail” columns in the pin list tables of [Section 5, “Package information and contact assignments.”](#)

[Table 19](#) lists the modules in each power domain.

Table 19. The modules in the power domains

| Power Domain | Modules in the domain |
|--------------|-------------------------|
| VDD_ARM | Arm A53 |
| VDD_GPU | GC7000L GPU |
| VDD_VPU | G1 and G2 VPU |
| VDD_DRAM | DRAM controller and PHY |
| VDD_SNVS | SNVS_LP |
| VDD_SOC | All the other modules |

3.3 PLL electrical characteristics

Table 20. PLL electrical parameters

| PLL type | Parameter | Value |
|------------|--------------------|--|
| AUDIO_PLL1 | Clock output range | 650 MHz ~ 1.3 GHz |
| | Reference clock | 25 MHz |
| | Lock time | 50 μ s |
| | Jitter | $\pm 1\%$ of output period, ≥ 50 ps |
| AUDIO_PLL2 | Clock output range | 650 MHz ~ 1.3 GHz |
| | Reference clock | 25 MHz |
| | Lock time | 50 μ s |
| | Jitter | $\pm 1\%$ of output period, ≥ 50 ps |
| VIDEO_PLL1 | Clock output range | 650 MHz ~ 1.3 GHz |
| | Reference clock | 25 MHz |
| | Lock time | 50 μ s |
| VIDEO_PLL2 | Clock output range | 650 MHz ~ 1.3 GHz |
| | Reference clock | 25 MHz |
| | Lock time | 70 μ s |
| SYS_PLL1 | Clock output range | 800 MHz |
| | Reference clock | 25 MHz |
| | Lock time | 70 μ s |
| SYS_PLL2 | Clock output range | 1 GHz |
| | Reference clock | 25 MHz |
| | Lock time | 70 μ s |
| SYS_PLL3 | Clock output range | 600 MHz ~ 1GHz |
| | Reference clock | 25 MHz |
| | Lock time | 70 μ s |
| ARM_PLL | Clock output range | 800 MHz ~ 1.6 GHz |
| | Reference clock | 25 MHz |
| | Lock time | 50 μ s |
| DRAM_PLL | Clock output range | 400 MHz~800 MHz |
| | Reference clock | 25 MHz |
| | Lock time | 70 μ s |

Table 20. PLL electrical parameters (continued)

| PLL type | Parameter | Value |
|----------|--------------------|-------------------|
| GPU_PLL | Clock output range | 800 MHz ~1.6 GHz |
| | Reference clock | 25 MHz |
| | Lock time | 50 μ s |
| VPU_PLL | Clock output range | 400 MHz ~ 800 MHz |
| | Reference clock | 25 MHz |
| | Lock time | 50 μ s |

3.4 On-chip oscillators

3.4.1 OSC25M and OSC27M

A 25 MHz oscillator is used as the primary clock source for the PLLs to generate the clock for the CPU, BUS, and high-speed interfaces. For fractional PLLs, the 25 MHz clock from the oscillator can be used as the PLL reference clock directly.

A 27 MHz oscillator is used as the reference clock for HDMI PHY. It can also be used as the alternative source for the fractional PLLs.

Table 21 lists the electrical specifications of this oscillator when loaded with an NX5032GA 40 MHz crystal unit at 40 MHz frequency. All values are valid only for the device TJ operating specification of -40 °C to 125 °C.

Table 21. Electrical specification of oscillator @ 1.8 V

| Parameter | Min | Typ | Max | Unit |
|---|-----|-----|-----|------|
| Voltage swing on external pin ¹ | 250 | — | 800 | mV |
| Power consumption (analog supply RMS current in OSC mode) ^{2, 3} | — | — | 4 | mA |
| Start-up time ^{1, 2} | — | — | 2 | ms |

¹ The start-up time is dependent upon crystal characteristics, board leakage, etc.; high ESR and excessive capacitive loads can cause long start-up time.

² Electrical parameters are subject to change.

³ Maximum current is observed during startup. After oscillation is stable, the current from HV supply comes down.

Table 22 shows the transconductance specification of the oscillator (in mA/V).

Table 22. Transconductance specification of oscillator

| GM_sel | Min | Max |
|--------|-----|-----|
| 111 | 10 | 25 |

Table 23 shows the input clock specifications.

Table 23. Input clock specification

| Parameter | Min | Typ | Max | Unit |
|---|-------|-----|-------|------|
| Clock Frequency in OSC mode | 20 | — | 40 | MHz |
| Input Clock Frequency in Bypass mode | — | — | 50 | MHz |
| Input Clock Rise/Fall Time in Bypass mode | — | — | 1 | ns |
| Input Clock Duty Cycle in Bypass mode | 47.50 | 50 | 52.50 | % |

Table 24 shows core output clock specification.

Table 24. Core output clock specification

| Parameter | Min | Typ | Max | Unit |
|--|-----|-----|-----|------|
| Output Clock Frequency in OSC mode | 20 | — | 40 | MHz |
| Output Clock Duty Cycle in OSC mode | 45 | 50 | 55 | % |
| Output Clock Frequency in Bypass mode | — | — | 50 | MHz |
| Capacitive Loading on Outputs Clock | — | 150 | 500 | fF |
| Output Clock Rise/Fall Time in Bypass mode | — | 0.1 | 0.5 | ns |
| Output Clock Duty Cycle in Bypass mode | 40 | 50 | 60 | % |

Table 25 shows VIL/VIH specification at EXTAL.

Table 25. Transconductance specification of oscillator

| Parameter | Condition | Min | Max | Unit |
|----------------------|--|------------------------|------------------------|------|
| V _{IEXTAL} | V _{REF} = 0.5 x avdd (xosc HV supply) | 0 | V _{REF} - 0.5 | V |
| V _{IHEXTAL} | | V _{REF} + 0.5 | avdd | |

3.5 I/O DC parameters

This section includes the DC parameters of the following I/O types:

- General Purpose I/O (GPIO)
- Double Data Rate I/O (DDR) for LPDDR4, DDR4, and DDR3L modes
- Differential I/O (CLKx)

3.5.1 General purpose I/O (GPIO) DC parameters

Table 26 shows DC parameters for GPIO pads. The parameters in Table 26 are guaranteed per the operating ranges in Table 7, unless otherwise noted.

Table 26. GPIO DC parameters

| Parameter | Symbol | Test Conditions | Min | Typ | Max | Unit |
|---------------------------------------|-----------------------------|---|-------------------------------------|------|----------------------------|-----------|
| High-level output voltage | $V_{OH(1.8V)}$ | Min V_{DD} , $I_{OH} = -100 \mu A$, $I_{OH} = -2 mA$ | $V_{DD} - 0.2$, $V_{DD} - 0.45$ | — | — | V |
| | $V_{OH(3.3V)}$ | | $V_{DD} - 0.2$ 2.4 | — | — | V |
| Low-level output voltage | $V_{OL(1.8V)}$ | Min V_{DD} , $I_{OH} = 100 \mu A$, $I_{OH} = 3 mA$ | — | — | 0.2 $0.2 \times V_{DD}$ | V |
| | $V_{OL(3.3V)}$ | | — | — | 0.2 0.4 | V |
| High-level input voltage | $V_{IH(1.8V)}$ | $ipp_lvttl_en = 0$ | $0.7 \times V_{DD}$ | — | V_{DD} | V |
| | $V_{IH(3.3V)}$ | $ipp_lvttl_en = 1$ | 2 | — | V_{DD} | V |
| | V_{IH_1VCOMS} (3.3 V) | $ipp_lvttl_en = 0$ | $0.7 \times V_{DD}$ | — | V_{DD} | V |
| Low-level input voltage | $V_{IL(1.8V)}$ | $ipp_lvttl_en = 0$ | 0 | — | $0.2 \times V_{DD}$ | V |
| | V_{IL_emmc} (1.8 V) | $ipp_lvttl_en = 0$ | 0 | — | $0.35 \times V_{DD}$ | V |
| | $V_{IL(3.3V)}$ | $ipp_lvttl_en = 1$ | 0 | — | 0.8 | V |
| | V_{IL_emmc} (3.3 V) | $ipp_lvttl_en = 0$ | 0 | — | $0.25 \times V_{DD}$ | V |
| | V_{IL_1vcmos} (3.3 V) | $ipp_lvttl_en = 0$ | 0 | — | $0.2 \times V_{DD}$ | V |
| Input hysteresis | $V_{HYS(1.8V)}$ | $ipp_hys = 1$ | — | 0.15 | — | V |
| | $V_{HYS(3.3V)}$ | $ipp_hys = 1$ | — | 0.2 | — | V |
| Pull-up resistor | — | — | 30×0.75 | 30 | 30×1.25 | $K\Omega$ |
| Pull-down resistor | — | — | 95×0.75 | 95 | 95×1.25 | $K\Omega$ |
| High level input current ¹ | I_{IH} | — | -50 | — | 50 | μA |
| Low level input current ¹ | I_{IL} | — | -50 | — | 50 | μA |

¹ The leakage limit for the following pins: HDMI_TX (several) is $\pm 200 \mu A$; HDMI_AUX_N/P is $\pm 65 \mu A$; PMIC_ON_REQ is $\pm 60 \mu A$; PMIC_STBY_REQ is $\pm 80 \mu A$; RTC_RESET_B is $\pm 60 \mu A$; ONOFF is $\pm 60 \mu A$; POR_B is $\pm 60 \mu A$; and SD2_CD_B is $\pm 60 \mu A$.

3.5.2 DDR I/O DC electrical characteristics

The DDR I/O pads support LPDDR 4, DDR4, and DDR3L operational modes. The DDR Memory Controller (DDRMC) is designed to be compatible with JEDEC-compliant SDRAMs.

Electrical characteristics

DDRMC operation is contingent upon the board's DDR design adherence to the DDR design and layout requirements stated in the hardware development guide for the i.MX 8M Dual / 8M QuadLite / 8M Quad application processor.

Table 27. DC input logic level

| Characteristics | Symbol | Min | Max | Unit |
|----------------------------------|--------------|-----------------|-----------------|------|
| DC input logic high ¹ | $V_{IH(DC)}$ | $V_{REF} + 100$ | — | mV |
| DC input logic low | $V_{IL(DC)}$ | — | $V_{REF} - 100$ | |

¹ It is the relationship of the V_{DDQ} of the driving device and the V_{REF} of the receiving device that determines noise margins. However, in the case of $V_{IH(DC)}$ max (that is, input overdrive), it is the V_{DDQ} of the receiving device that is referenced.

Table 28. Output DC current drive

| Characteristics | Symbol | Min | Max | Unit |
|---|--------------|----------------------|----------------------|------|
| Output minimum source DC current ¹ | $I_{OH(DC)}$ | -4 | — | mA |
| Output minimum sink DC current | $I_{OL(DC)}$ | 4 | — | mA |
| DC output high voltage($I_{OH} = -0.1\text{mA}$) ² | V_{OH} | $0.9 \times V_{DDQ}$ | — | V |
| DC output low voltage($I_{OL} = 0.1\text{mA}$) ² | V_{OL} | — | $0.1 \times V_{DDQ}$ | V |

¹ When DDS = [111] and without ZQ calibration.

² The values of V_{OH} and V_{OL} are valid only for 1.2 V range.

Table 29. Input DC current¹

| Characteristics | Symbol | Min | Max | Unit |
|---|----------|-----|-----|---------------|
| High level input current ^{2,3} | I_{IH} | -40 | 40 | μA |
| Low level input current | I_{IL} | -40 | 40 | μA |

¹ The leakage limit for the following pins: DRAM_AC00, DRAM_AC01, DRAM_AC20, and DRAM_AC21 are $\pm 300 \mu\text{A}$; DRAM_RESET_N is $\pm 200 \mu\text{A}$.

² The values of V_{OH} and V_{OL} are valid only for 1.2 V range.

³ Driver Hi-Z and input power-down (PD = High)

3.5.2.1 LPDDR4 mode I/O DC parameters

Table 30. LPDDR4 I/O DC electrical parameters

| Parameters | Symbol | Test Conditions | Min | Max | Unit |
|--------------------------------------|----------|-------------------|--------------|-----------------------|------|
| High-level output voltage | VOH | Ioh= -0.1 mA | 0.9 x OVDD | — | V |
| Low-level output voltage | VOL | Iol= 0.1 mA | — | 0.1 x OVDD | V |
| Input Reference Voltage | Vref | — | 0.49 x OVDD | 0.51 x OVDD | V |
| DC High-Level input voltage | Vih_DC | — | VRef + 0.100 | OVDD | V |
| DC Low-Level input voltage | Vil_DC | — | OVSS | VRef - 0.100 | V |
| Differential Input Logic High | Vih_diff | — | 0.26 | See note ¹ | — |
| Differential Input Logic Low | Vil_diff | — | See note | -0.26 | — |
| Pull-up/Pull-down Impedance Mismatch | Mmpupd | — | -15 | 15 | % |
| 240 Ω unit calibration resolution | Rres | — | — | 10 | Ω |
| Keeper Circuit Resistance | Rkeep | — | 110 | 175 | KΩ |
| Input current (no pull-up/down) | Iin | VI = 0, VI = OVDD | -2.5 | 2.5 | μA |

¹ The single-ended signals need to be within the respective limits (Vih(dc) max, Vil(dc) min) for single-ended signals as well as the limitations for overshoot and undershoot.

3.5.3 Differential I/O port (CLKx_P/N)

The clock I/O interface is designed to be compatible with TIA/EIA 644-A standard. See TIA/EIA STANDARD 644-A, *Electrical Characteristics of Low Voltage Differential Signaling (LVDS) Interface Circuits* (2001), for details.

The CLK1_P/CLK1_N is input only, while CLK2_P/CLK2_N is output only.

3.6 I/O AC parameters

This section includes the AC parameters of the following I/O types:

- General Purpose I/O (GPIO)
- Double Data Rate I/O (DDR) for DDR3L/DDR4/LPDDR4 modes
- Differential I/O (CLKx)

The GPIO and DDR I/O load circuit and output transition time waveforms are shown in [Figure 3](#) and [Figure 4](#).

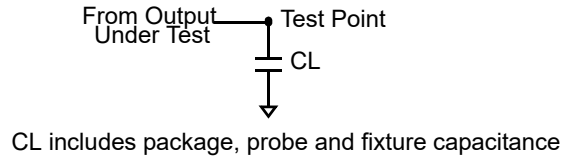


Figure 3. Load circuit for output

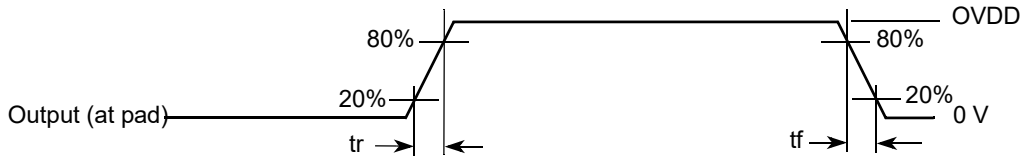


Figure 4. Output transition time waveform

3.6.1 General purpose I/O AC parameters

This section presents the I/O AC parameters for GPIO in different modes. Note that the fast or slow I/O behavior is determined by the appropriate control bits in the IOMUXC control registers.

Table 31. Maximum input cell delay time

| Cell name | Max Delay PAD → Y (ns) | | |
|--------------------------------|--|---|--|
| | V _{DD} = 1.62 V T = 125°C WCS model | — | V _{DD} = 3.0V T = 125°C WCS model |
| PBIJGTOV36PUD_MCLAMP_LVGPIO_EW | 1.54 | — | 1.3 |

Table 32. Output cell delay time for fixed load

| Parameter | | | Simulated Cell Delay A → PAD (ns) | |
|-----------|-----------|---------------|-------------------------------------|-------------------------------------|
| | | | V _{DD} = 1.62 V, T = 125°C | V _{DD} = 2.97 V, T = 125°C |
| dse[2:0] | fsel[1:0] | Driver Type | CL = 15 pF | CL = 15 pF |
| 011 | 00 | 3 x Slow Slew | 3.1 | 3.3 |
| 011 | 11 | 3 x Fast Slew | 2.1 | 2.6 |
| 100 | 00 | 4 x Slow Slew | 3.7 | 3.9 |
| 100 | 11 | 4 x Fast Slew | 2.3 | 2.8 |
| 101 | 00 | 5 x Slow Slew | 3.1 | 3.5 |
| 101 | 11 | 5 x Fast Slew | 2.1 | 2.5 |

Table 32. Output cell delay time for fixed load (continued)

| Parameter | | | Simulated Cell Delay A → PAD (ns) | |
|-----------|-----------|---------------|-----------------------------------|-------------------------|
| | | | VDD = 1.62 V, T = 125°C | VDD = 2.97 V, T = 125°C |
| dse[2:0] | fsel[1:0] | Driver Type | CL = 15 pF | CL = 15 pF |
| 111 | 00 | 7 x Slow Slew | 2.9 | 3.1 |
| 111 | 11 | 7 x Fast Slew | 1.8 | 2.3 |

Table 33. Maximum frequency of operation for input

| Maximum frequency (MHz) | | |
|-------------------------------|---|-------------------------------|
| VDD = 1.8 V, CL = 15 pF, fast | — | VDD = 3.3 V, CL = 20 pF, fast |
| 200 | — | 160 |

3.6.2 Clock I/O AC parameters—CLKx_N/CLKx_P

The differential output transition time waveform is shown in Figure 5.

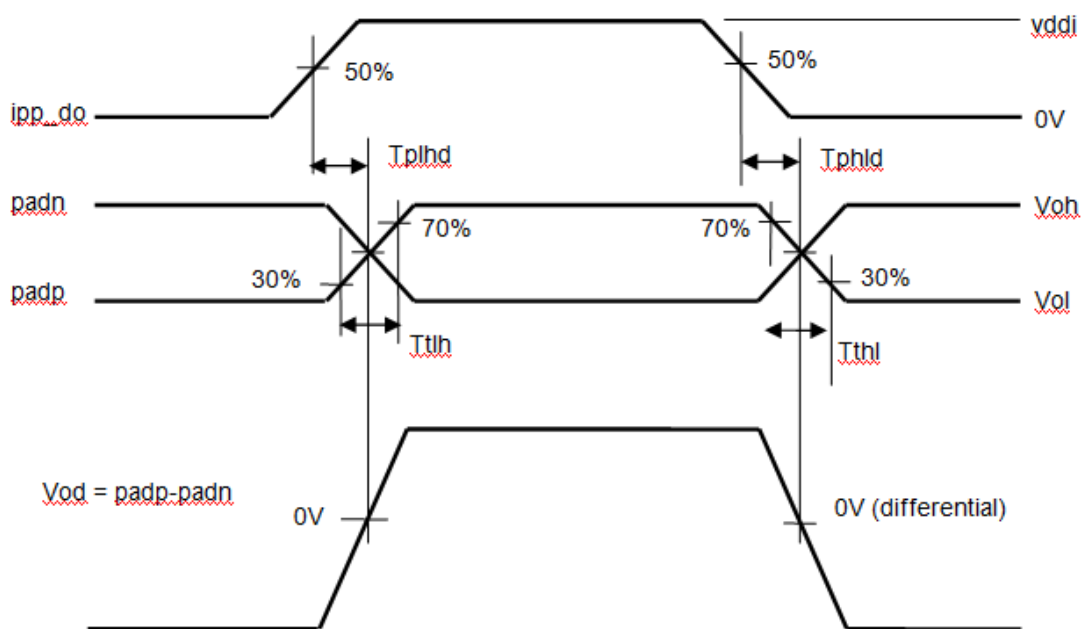


Figure 5. Differential LVDS driver transition time waveform

Table 34 shows the AC parameters for clock I/O.

Table 34. I/O AC parameters of LVDS pad

| Symbol | Parameter | Test conditions | Min | Typ | Max | Unit | Notes |
|--------|---|---|-----|-----|------|------|-------|
| Tphld | Output Differential propagation delay high to low | Rload = 100 Ω between padp and padn, Cload = 2pF, at 125 °C, TYP, 1.62 V OVDD, and 0.9 V VDDI | — | — | 0.92 | ns | 1 |
| Tplhd | Output Differential propagation delay low to high | | — | — | 0.92 | | |
| Ttlh | Output Transition time low to high | | — | — | 0.58 | ns | 2 |
| Tthl | Output Transition time high to low | | — | — | 0.73 | | |
| Tphlr | Input Differential propagation delay high to low | Rload = 100 Ω between padp and padn, at 125 °C, TYP, 1.62 V OVDD, and 0.9 V VDDI | — | — | 0.83 | ns | 3 |
| Tplhr | Input Differential propagation delay low to high | | — | — | 0.83 | | |
| Ttx | Transmitter startup time (ipp-obe low to high) | — | — | — | 40 | ns | 4 |
| F | Operating frequency | — | — | 600 | 1000 | MHz | — |

¹ At TYP, 125 °C, 1.62 V OVDD, and 0.9 V VDDI. Measurement levels are 50 - 50%. Output differential signal measured.

² At TYP, 125 °C, 1.62 V OVDD, and 0.9 V VDDI. Measurement levels are 20 - 80%. Output differential signal measured.

³ At TYP, 125 °C, 1.62 V OVDD, and 0.9 V VDDI. Measurement levels are 50 - 50%.

⁴ TX startup time is defined as the time taken by transmitter for settling after its ipp_obe has been asserted. It is to stabilize the current reference. Functionality is guaranteed only after the startup time.

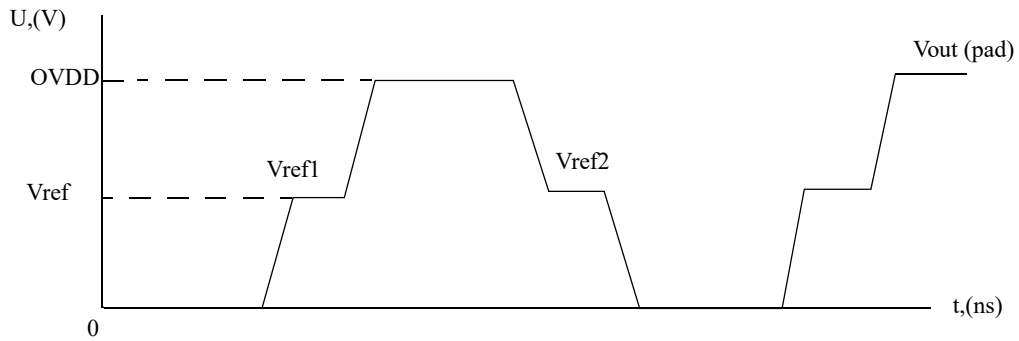
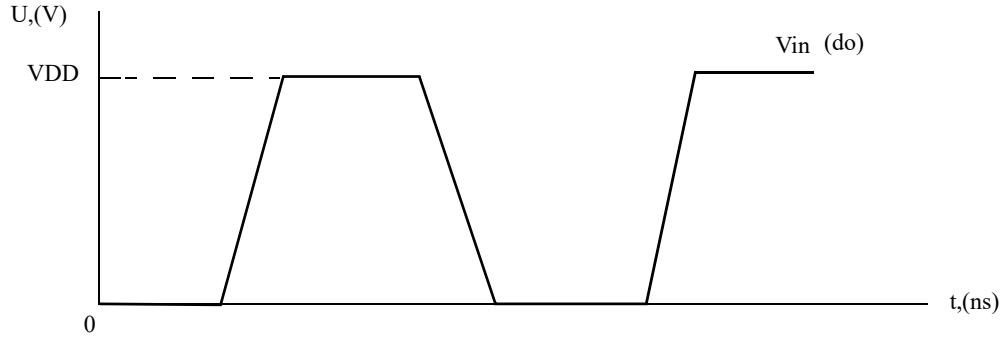
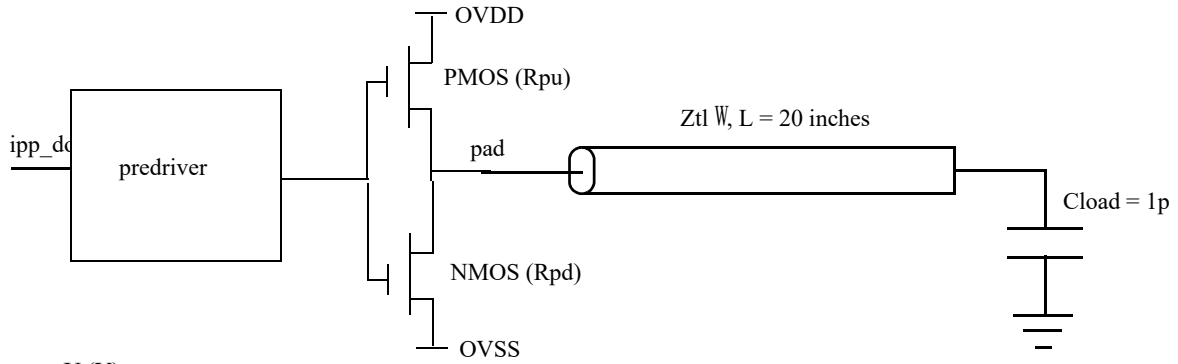
3.7 Output buffer impedance parameters

This section defines the I/O impedance parameters of the i.MX 8M Dual / 8M QuadLite / 8M Quad processors for the following I/O types:

- Double Data Rate I/O (DDR) for LPDDR4, DDR4, and DDR3L modes
- Differential I/O (CLKx)
- USB battery charger detection open-drain output (USB_OTG1_CHD_B)

NOTE

DDR I/O output driver impedance is measured with “long” transmission line of impedance Ztl attached to I/O pad and incident wave launched into transmission line. Rpu/Rpd and Ztl form a voltage divider that defines specific voltage of incident wave relative to OVDD. Output driver impedance is calculated from this voltage divider (see Figure 6).



$$R_{pu} = \frac{V_{ovdd} - V_{ref1}}{V_{ref1}} \times Z_{tl}$$

$$R_{pd} = \frac{V_{ref2}}{V_{ovdd} - V_{ref2}} \times Z_{tl}$$

Figure 6. Impedance matching load for measurement

3.7.1 DDR I/O output buffer impedance

Table 35 shows DDR I/O output buffer impedance of i.MX 8M Dual / 8M QuadLite / 8M Quad processors.

Table 35. DDR I/O output buffer impedance

| Parameter | Symbol | Test Conditions DSE (Drive Strength) | Typical | | | Unit |
|-------------------------|--------|---|--|--------------------------|--|----------|
| | | | NVCC_DRAM = 1.35 V (DDR3L) DDR_SEL = 11 | NVCC_DRAM = 1.2 V (DDR4) | NVCC_DRAM = 1.1 V (LPDDR4) DDR_SEL = 10 | |
| Output Driver Impedance | Rdrv | 000000 | Hi-Z | Hi-Z | Hi-Z | Ω |
| | | 000010 | 240 | 240 | 240 | |
| | | 000110 | 120 | 120 | 120 | |
| | | 001010 | 80 | 80 | 80 | |
| | | 001110 | 60 | 60 | 60 | |
| | | 011010 | 48 | 48 | 48 | |
| | | 011110 | 40 | 40 | 40 | |
| | | 111010 | 34 | 34 | 34 | |

Note:

1. Output driver impedance is controlled across PVTs using ZQ calibration procedure.
2. Calibration is done against 240 Ω external reference resistor.
3. Output driver impedance deviation (calibration accuracy) is $\pm 5\%$ (max/min impedance) across PVTs.

3.7.2 Differential I/O output buffer impedance

The Differential CCM interface is designed to be compatible with TIA/EIA 644-A standard. See, TIA/EIA STANDARD 644-A, *Electrical Characteristics of Low Voltage Differential Signaling (LVDS) Interface Circuits* (2001) for details.

3.7.3 USB battery charger detection driver impedance

The USB_OTG1_CHD_B open-drain output pin can be used to signal to power management and monitoring device results of USB Battery Charger detection routines for the USB_OTG1 PHY instance. Use of this pin requires an external pullup resistor, for more information see [Table 5](#).

3.8 System modules timing

This section contains the timing and electrical parameters for the modules in each i.MX 8M Dual / 8M QuadLite / 8M Quad processor.

3.8.1 Reset timings parameters

Figure 7 shows the reset timing and Table 36 lists the timing parameters.

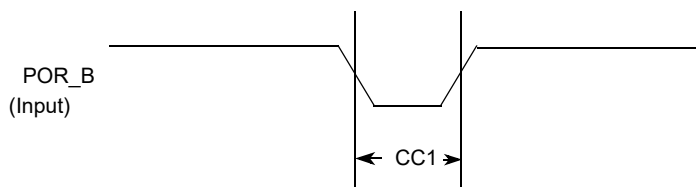


Figure 7. Reset timing diagram

Table 36. Reset timing parameters

| ID | Parameter | Min | Max | Unit |
|-----|---|-----|-----|-----------------|
| CC1 | Duration of POR_B to be qualified as valid. | 1 | — | RTC_XTALI cycle |

3.8.2 WDOG Reset timing parameters

Figure 8 shows the WDOG reset timing and Table 37 lists the timing parameters.

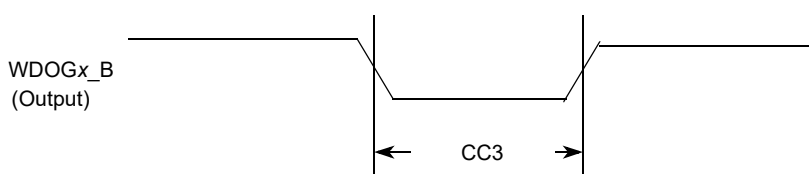


Figure 8. WDOGx_B timing diagram

Table 37. WDOGx_B timing parameters

| ID | Parameter | Min | Max | Unit |
|-----|-------------------------------|-----|-----|-----------------|
| CC3 | Duration of WDOG1_B Assertion | 1 | — | RTC_XTALI cycle |

NOTE

RTC_XTALI is approximately 32 kHz. RTC_XTALI cycle is one period or approximately 30 ms.

NOTE

WDOGx_B output signals (for each one of the Watchdog modules) do not have dedicated pins, but are muxed out through the IOMUX. See the IOMUXC chapter of the *i.MX 8M Dual / 8M QuadLite / 8M Quad Applications Processor Reference Manual (IMX8MDQLQRM)* for detailed information.

3.9 External peripheral interface parameters

The following subsections provide information on external peripheral interfaces.

3.9.1 ECSPI timing parameters

This section describes the timing parameters of the ECSPI blocks. The ECSPI have separate timing parameters for master and slave modes.

3.9.1.1 ECSPI Master mode timing

Figure 9 depicts the timing of ECSPI in master mode. Table 38 lists the ECSPI master mode timing characteristics.

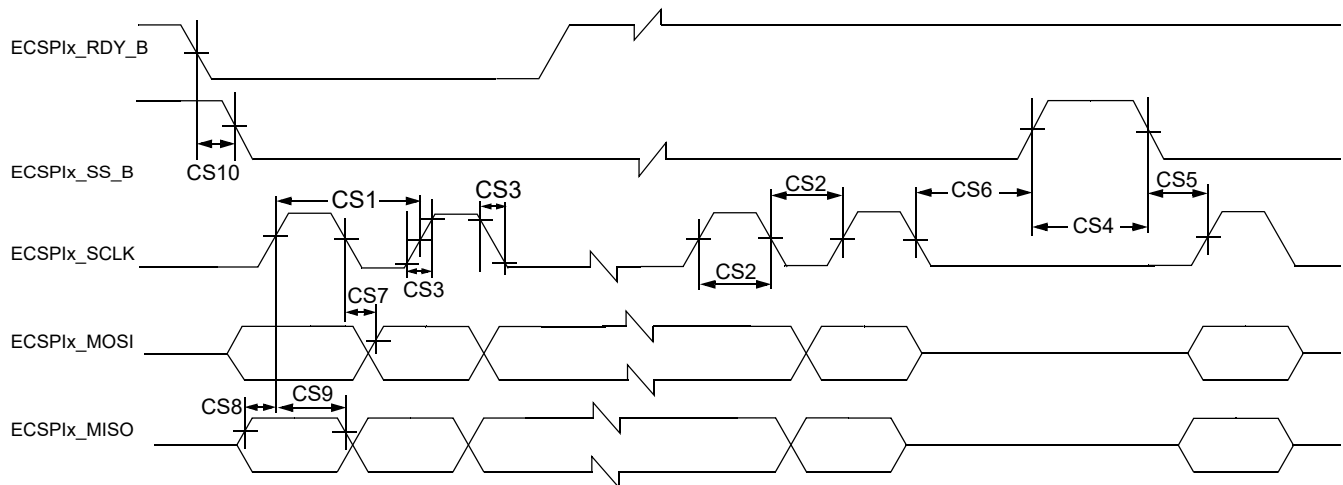


Figure 9. ECSPI Master mode timing diagram

Table 38. ECSPI Master mode timing parameters

| ID | Parameter | Symbol | Min | Max | Unit |
|------|---|-----------------|------------------------------|-----|------|
| CS1 | ECSPi_x_SCLK Cycle Time–Read ECSPi_x_SCLK Cycle Time–Write | t_{clk} | 43 15 | — | ns |
| CS2 | ECSPi_x_SCLK High or Low Time–Read ECSPi_x_SCLK High or Low Time–Write | t_{sw} | 21.5 7 | — | ns |
| CS3 | ECSPi_x_SCLK Rise or Fall ¹ | $t_{RISE/FALL}$ | — | — | ns |
| CS4 | ECSPi_x_SS_B pulse width | t_{CSLH} | Half ECSPi_x_SCLK period | — | ns |
| CS5 | ECSPi_x_SS_B Lead Time (CS setup time) | t_{SCS} | Half ECSPi_x_SCLK period - 4 | — | ns |
| CS6 | ECSPi_x_SS_B Lag Time (CS hold time) | t_{HCS} | Half ECSPi_x_SCLK period - 2 | — | ns |
| CS7 | ECSPi_x_MOSI Propagation Delay ($C_{LOAD} = 20$ pF) | t_{pDmosi} | -1 | 1 | ns |
| CS8 | ECSPi_x_MISO Setup Time | t_{Smiso} | 18 | — | ns |
| CS9 | ECSPi_x_MISO Hold Time | t_{Hmiso} | 0 | — | ns |
| CS10 | RDY to ECSPi_x_SS_B Time ² | t_{SDRY} | 5 | — | ns |

¹ See specific I/O AC parameters Section 3.6, “I/O AC parameters.”

² SPI_RDY is sampled internally by ipg_clk and is asynchronous to all other CSPI signals.

3.9.1.2 ECSPi Slave mode timing

Figure 10 depicts the timing of ECSPi in Slave mode. Table 39 lists the ECSPi Slave mode timing characteristics.

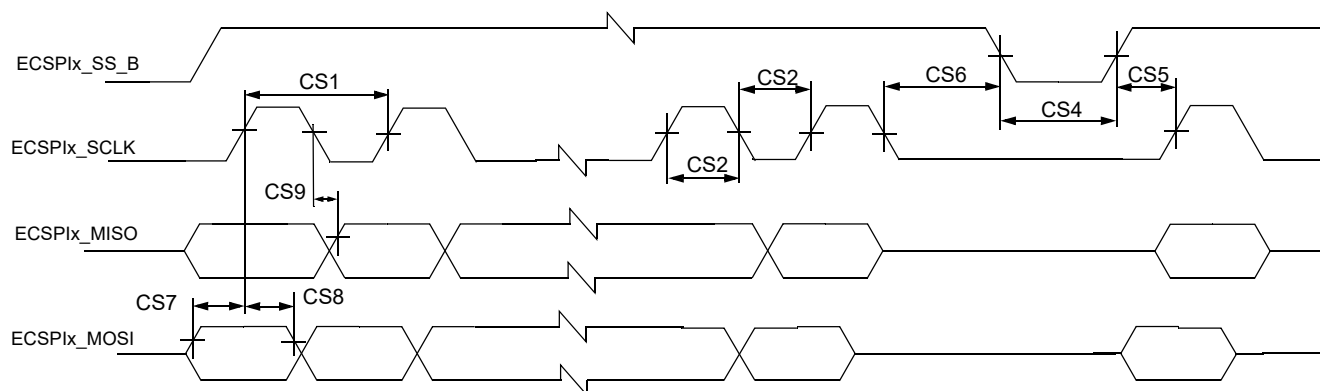


Figure 10. ECSPi Slave mode timing diagram

Table 39. ECSPi Slave mode timing parameters

| ID | Parameter | Symbol | Min | Max | Unit |
|-----|---|--------------|------------------------|-----|------|
| CS1 | ECSPi_SCLK Cycle Time–Read ECSPi_SCLK Cycle Time–Write | t_{clk} | 15 43 | — | ns |
| CS2 | ECSPi_SCLK High or Low Time–Read ECSPi_SCLK High or Low Time–Write | t_{sw} | 7 21.5 | — | ns |
| CS4 | ECSPi_SS_B pulse width | t_{CSLH} | Half ECSPi_SCLK period | — | ns |
| CS5 | ECSPi_SS_B Lead Time (CS setup time) | t_{SCS} | 5 | — | ns |
| CS6 | ECSPi_SS_B Lag Time (CS hold time) | t_{HCS} | 5 | — | ns |
| CS7 | ECSPi_MOSI Setup Time | t_{Smosi} | 4 | — | ns |
| CS8 | ECSPi_MOSI Hold Time | t_{Hmosi} | 4 | — | ns |
| CS9 | ECSPi_MISO Propagation Delay ($C_{LOAD} = 20$ pF) | t_{PDmiso} | 4 | 19 | ns |

3.9.2 Ultra-high-speed SD/SDIO/MMC host interface (uSDHC) AC timing

This section describes the electrical information of the uSDHC, which includes SD/eMMC4.3 (single data rate) timing, eMMC4.4/4.41 (dual data rate) timing and SDR104/50 (SD3.0) timing.

3.9.2.1 SD/eMMC4.3 (single data rate) AC timing

Figure 11 depicts the timing of SD/eMMC4.3, and Table 40 lists the SD/eMMC4.3 timing characteristics.

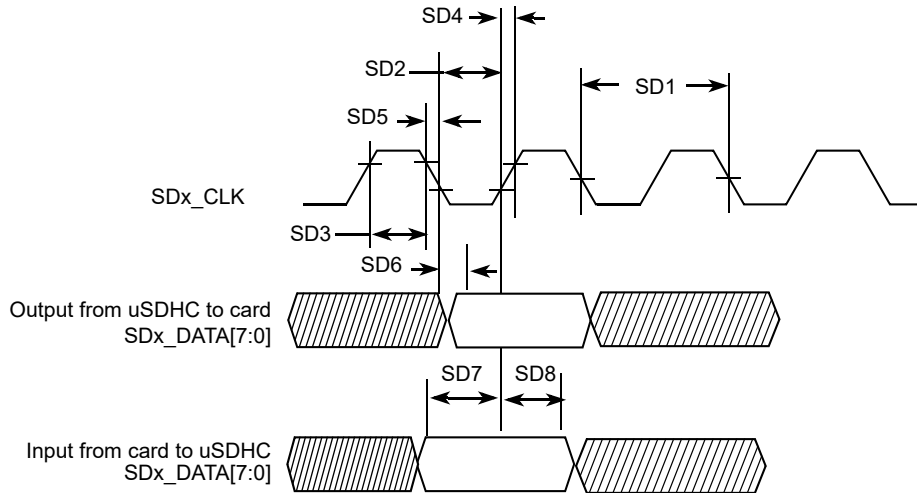


Figure 11. SD/eMMC4.3 timing

Table 40. SD/eMMC4.3 interface timing specification

| ID | Parameter | Symbols | Min | Max | Unit |
|--|---|------------|-----|-------|------|
| Card Input Clock | | | | | |
| SD1 | Clock Frequency (Low Speed) | f_{PP}^1 | 0 | 400 | kHz |
| | Clock Frequency (SD/SDIO Full Speed/High Speed) | f_{PP}^2 | 0 | 25/50 | MHz |
| | Clock Frequency (MMC Full Speed/High Speed) | f_{PP}^3 | 0 | 20/52 | MHz |
| | Clock Frequency (Identification Mode) | f_{OD} | 100 | 400 | kHz |
| SD2 | Clock Low Time | t_{WL} | 7 | — | ns |
| SD3 | Clock High Time | t_{WH} | 7 | — | ns |
| SD4 | Clock Rise Time | t_{TLH} | — | 3 | ns |
| SD5 | Clock Fall Time | t_{THL} | — | 3 | ns |
| uSDHC Output/Card Inputs SD_CMD, SDx_DATAx (Reference to CLK) | | | | | |
| SD6 | uSDHC Output Delay | t_{OD} | 6.6 | 3.6 | ns |

Table 40. SD/eMMC4.3 interface timing specification (continued)

| ID | Parameter | Symbols | Min | Max | Unit |
|--|------------------------------------|-----------|-----|-----|------|
| uSDHC Input/Card Outputs SD_CMD, SDx_DATAx (Reference to CLK) | | | | | |
| SD7 | uSDHC Input Setup Time | t_{ISU} | 2.5 | — | ns |
| SD8 | uSDHC Input Hold Time ⁴ | t_{IH} | 1.5 | — | ns |

¹ In Low-Speed mode, card clock must be lower than 400 kHz, voltage ranges from 2.7 to 3.6 V.

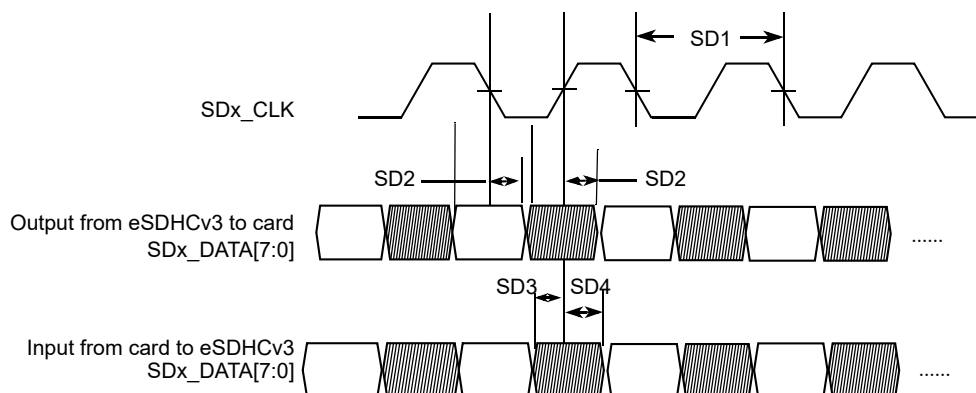
² In Normal (Full) -Speed mode for SD/SDIO card, clock frequency can be any value between 0 – 25 MHz. In High-speed mode, clock frequency can be any value between 0 – 50 MHz.

³ In Normal (Full) -Speed mode for MMC card, clock frequency can be any value between 0 – 20 MHz. In High-speed mode, clock frequency can be any value between 0 – 52 MHz.

⁴ To satisfy hold timing, the delay difference between clock input and cmd/data input must not exceed 2 ns.

3.9.2.2 eMMC4.4/4.41 (dual data rate) AC timing

Figure 12 depicts the timing of eMMC4.4/4.41. Table 41 lists the eMMC4.4/4.41 timing characteristics. Be aware that only DATA is sampled on both edges of the clock (not applicable to CMD).

**Figure 12. eMMC4.4/4.41 timing****Table 41. eMMC4.4/4.41 interface timing specification**

| ID | Parameter | Symbols | Min | Max | Unit |
|--|------------------------------------|----------|-----|-----|------|
| Card Input Clock | | | | | |
| SD1 | Clock Frequency (eMMC4.4/4.41 DDR) | f_{PP} | 0 | 52 | MHz |
| SD1 | Clock Frequency (SD3.0 DDR) | f_{PP} | 0 | 50 | MHz |
| uSDHC Output / Card Inputs SD_CMD, SDx_DATAx (Reference to CLK) | | | | | |
| SD2 | uSDHC Output Delay | t_{OD} | 2.7 | 6.9 | ns |
| uSDHC Input / Card Outputs SD_CMD, SDx_DATAx (Reference to CLK) | | | | | |

Table 41. eMMC4.4/4.41 interface timing specification (continued)

| ID | Parameter | Symbols | Min | Max | Unit |
|-----|------------------------|-----------|-----|-----|------|
| SD3 | uSDHC Input Setup Time | t_{ISU} | 2.4 | — | ns |
| SD4 | uSDHC Input Hold Time | t_{IH} | 1.3 | — | ns |

3.9.2.3 HS400 DDR AC timing—eMMC5.0 only

Figure 13 depicts the timing of HS400 mode, and Table 42 lists the HS400 timing characteristics. Be aware that only data is sampled on both edges of the clock (not applicable to CMD). The CMD input/output timing for HS400 mode is the same as CMD input/output timing for SDR104 mode. Check SD5, SD6, and SD7 parameters in Table 44 SDR50/SDR104 Interface Timing Specification for CMD input/output timing for HS400 mode.

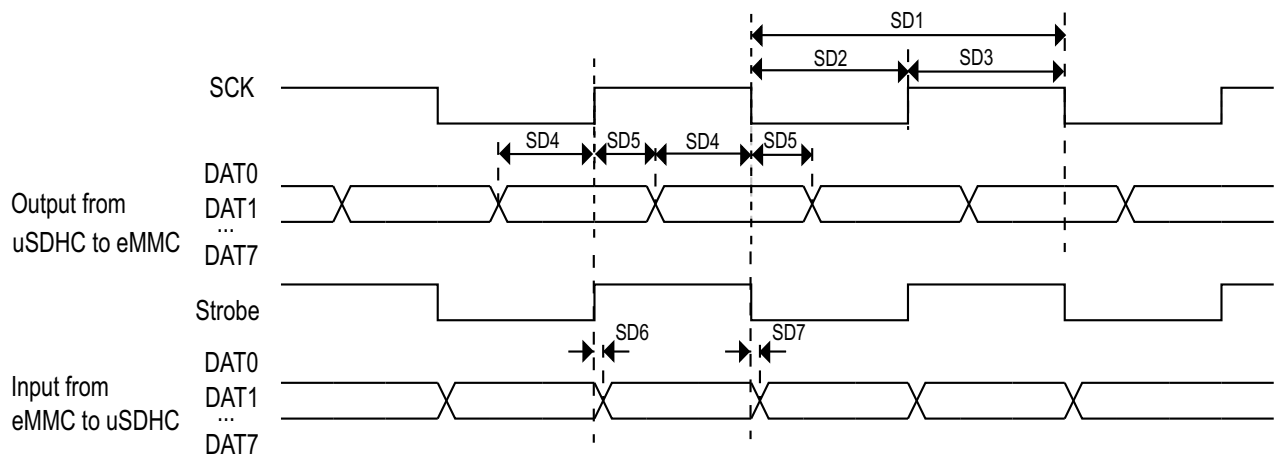


Figure 13. HS400 Mode timing

Table 42. HS400 interface timing specification

| ID | Parameter | Symbols | Min | Max | Unit |
|---|--------------------------------------|--------------|-----------------------|-----------------------|------|
| Card Input Clock | | | | | |
| SD1 | Clock frequency | f_{PP} | 0 | 200 | MHz |
| SD2 | Clock low time | t_{CL} | $0.46 \times t_{CLK}$ | $0.54 \times t_{CLK}$ | ns |
| SD3 | Clock high time | t_{CH} | $0.46 \times t_{CLK}$ | $0.54 \times t_{CLK}$ | ns |
| uSDHC Output/Card Inputs DAT (Reference to SCK) | | | | | |
| SD4 | Output skew from data of edge of SCK | t_{OSkew1} | 0.45 | — | ns |
| SD5 | Output skew from edge of SCK to data | t_{OSkew2} | 0.45 | — | ns |
| uSDHC Input/Card Outputs DAT (Reference to Strobe) | | | | | |

Table 42. HS400 interface timing specification (continued)

| ID | Parameter | Symbols | Min | Max | Unit |
|-----|------------------|-----------|-----|------|------|
| SD6 | uSDHC input skew | t_{RQ} | — | 0.45 | ns |
| SD7 | uSDHC hold skew | t_{RQH} | — | 0.45 | ns |

3.9.2.4 HS200 Mode timing

Figure 14 depicts the timing of HS200 mode, and Table 43 lists the HS200 timing characteristics.

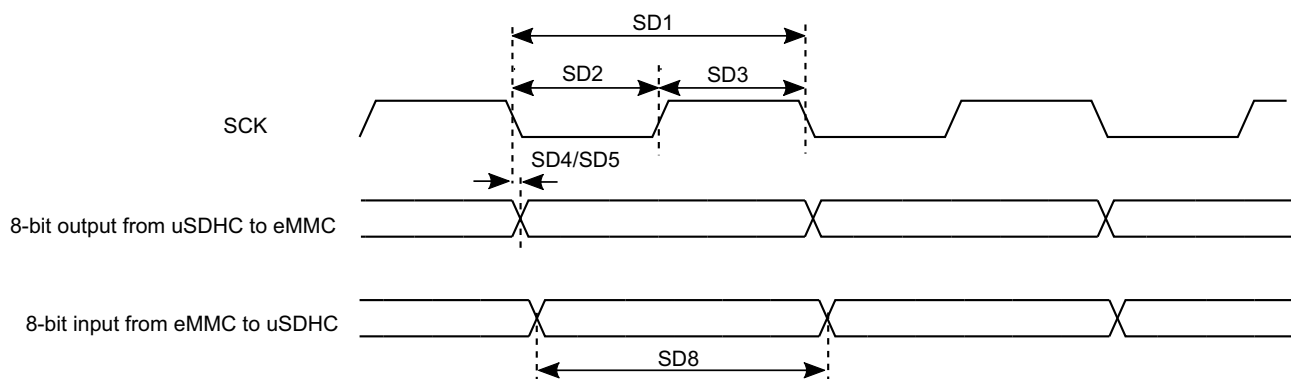


Figure 14. HS200 mode timing

Table 43. HS200 interface timing specification

| ID | Parameter | Symbols | Min | Max | Unit |
|---|--------------------------|-----------|----------------------|----------------------|------|
| Card Input Clock | | | | | |
| SD1 | Clock Frequency Period | t_{CLK} | 5 | — | ns |
| SD2 | Clock Low Time | t_{CL} | $0.3 \times t_{CLK}$ | $0.7 \times t_{CLK}$ | ns |
| SD3 | Clock High Time | t_{CH} | $0.3 \times t_{CLK}$ | $0.7 \times t_{CLK}$ | ns |
| uSDHC Output/Card Inputs SD_CMD, SDx_DATAx in HS200 (Reference to CLK) | | | | | |
| SD5 | uSDHC Output Delay | t_{OD} | -1.6 | 1 | ns |
| uSDHC Input/Card Outputs SD_CMD, SDx_DATAx in HS200 (Reference to CLK)¹ | | | | | |
| SD8 | uSDHC Output Data Window | t_{ODW} | $0.5 \times t_{CLK}$ | — | ns |

¹ HS200 is for 8 bits while SDR104 is for 4 bits.

3.9.2.5 SDR50/SDR104 AC timing

Figure 15 depicts the timing of SDR50/SDR104, and Table 44 lists the SDR50/SDR104 timing characteristics.

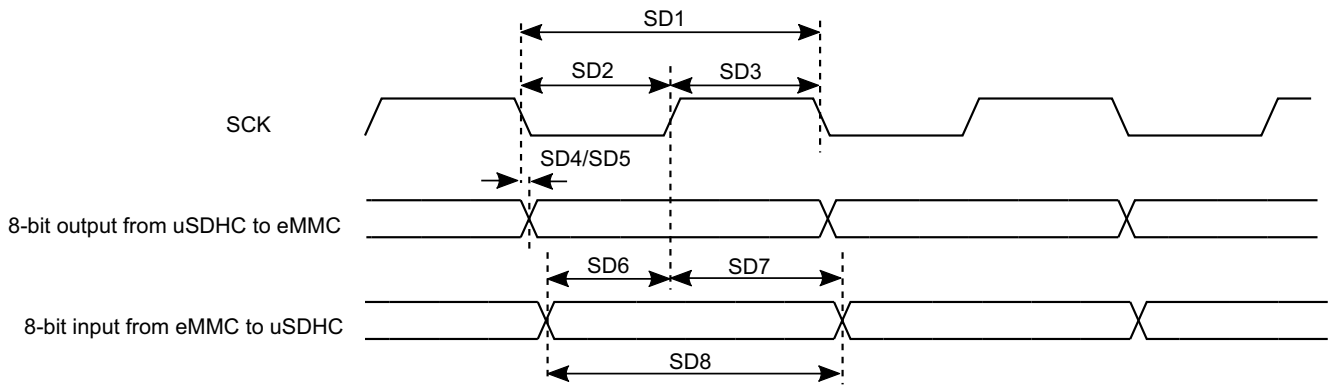


Figure 15. SDR50/SDR104 timing

Table 44. SDR50/SDR104 interface timing specification

| ID | Parameter | Symbols | Min | Max | Unit |
|--|--------------------------|-----------|-----------------------|-----------------------|------|
| Card Input Clock | | | | | |
| SD1 | Clock Frequency Period | t_{CLK} | 5 | — | ns |
| SD2 | Clock Low Time | t_{CL} | $0.46 \times t_{CLK}$ | $0.54 \times t_{CLK}$ | ns |
| SD3 | Clock High Time | t_{CH} | $0.46 \times t_{CLK}$ | $0.54 \times t_{CLK}$ | ns |
| uSDHC Output/Card Inputs SD_CMD, SDx_DATAx in SDR50 (Reference to CLK) | | | | | |
| SD4 | uSDHC Output Delay | t_{OD} | -3 | 1 | ns |
| uSDHC Output/Card Inputs SD_CMD, SDx_DATAx in SDR104 (Reference to CLK) | | | | | |
| SD5 | uSDHC Output Delay | t_{OD} | -1.6 | 1 | ns |
| uSDHC Input/Card Outputs SD_CMD, SDx_DATAx in DDR50 (Reference to CLK) | | | | | |
| SD6 | uSDHC Input Setup Time | t_{ISU} | 2.4 | — | ns |
| SD7 | uSDHC Input Hold Time | t_{IH} | 1.4 | — | ns |
| uSDHC Input/Card Outputs SD_CMD, SDx_DATAx in SDR104 (Reference to CLK)¹ | | | | | |
| SD8 | uSDHC Output Data Window | t_{ODW} | $0.5 \times t_{CLK}$ | — | ns |

¹ Data window in SDR100 mode is variable.

3.9.2.6 Bus operation condition for 3.3 V and 1.8 V signaling

Signaling level of SD/eMMC4.3 and eMMC4.4/4.41 modes is 3.3 V. Signaling level of SDR104/SDR50 mode is 1.8 V. The DC parameters for the NVCC_SD1, NVCC_SD2 and NVCC_SD3 supplies are identical to those shown in Table 26, "GPIO DC parameters," on page 29.

3.9.3 Ethernet controller (ENET) AC electrical specifications

The following timing specs are defined at the chip I/O pin and must be translated appropriately to arrive at timing specs/constraints for the physical interface.

3.9.3.1 RMII mode timing

In RMII mode, ENET_CLK is used as the REF_CLK, which is a 50 MHz \pm 50 ppm continuous reference clock. ENET_RX_EN is used as the ENET_RX_EN in RMII. Other signals under RMII mode include ENET_TX_EN, ENET_TX_DATA[1:0], ENET_RX_DATA[1:0] and ENET_RX_ER.

Figure 16 shows RMII mode timings. Table 45 describes the timing parameters (M16–M21) shown in the figure.

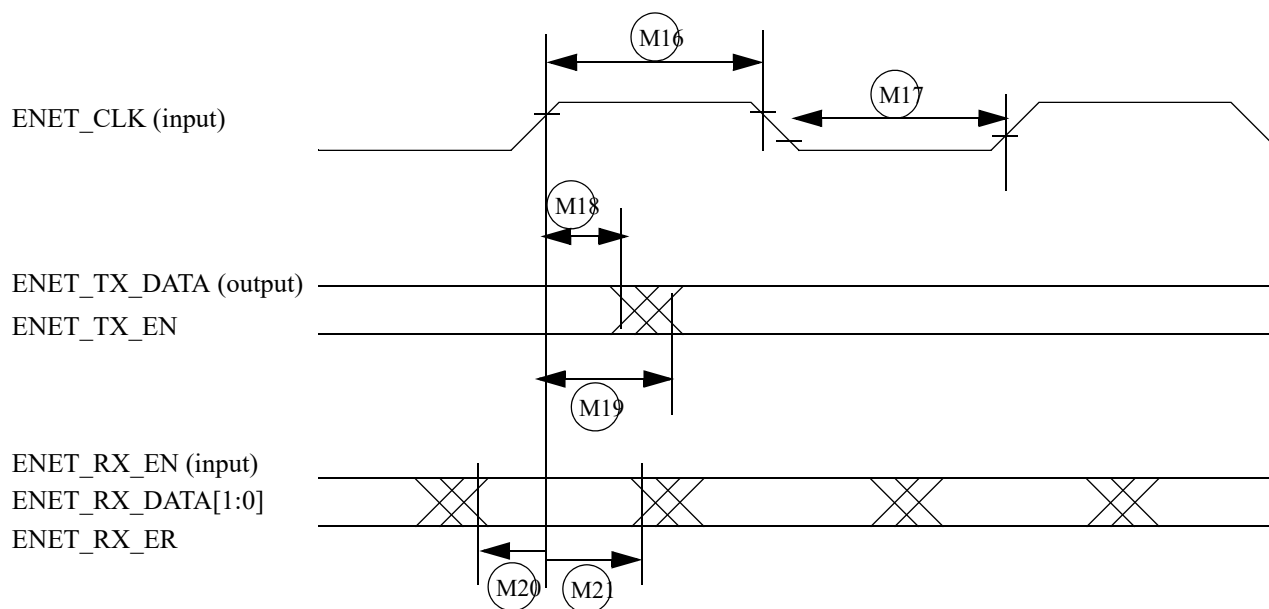


Figure 16. RMII mode signal timing diagram

Table 45. RMII signal timing

| ID | Characteristic | Min. | Max. | Unit |
|-----|---|------|------|-----------------|
| M16 | ENET_CLK pulse width high | 35% | 65% | ENET_CLK period |
| M17 | ENET_CLK pulse width low | 35% | 65% | ENET_CLK period |
| M18 | ENET_CLK to ENET0_TXD[1:0], ENET_TX_DATA invalid | 4 | — | ns |
| M19 | ENET_CLK to ENET0_TXD[1:0], ENET_TX_DATA valid | — | 15 | ns |
| M20 | ENET_RX_DATA[1:0], ENET_RX_EN(ENET_RX_EN), ENET_RX_ER to ENET_CLK setup | 4 | — | ns |
| M21 | ENET_CLK to ENET_RX_DATA[1:0], ENET_RX_EN, ENET_RX_ER hold | 2 | — | ns |

3.9.3.2 RGMII signal switching specifications

The following timing specifications meet the requirements for RGMII interfaces for a range of transceiver devices.

Table 46. RGMII signal switching specifications¹

| Symbol | Description | Min. | Max. | Unit |
|---------------------|--|------|------|------|
| T_{cyc}^2 | Clock cycle duration | 7.2 | 8.8 | ns |
| T_{skewT}^3 | Data to clock output skew at transmitter | -500 | 500 | ps |
| T_{skewR}^3 | Data to clock input skew at receiver | 1 | 2.6 | ns |
| Duty_G ⁴ | Duty cycle for Gigabit | 45 | 85 | % |
| Duty_T ⁴ | Duty cycle for 10/100T | 40 | 90 | % |
| Tr/Tf | Rise/fall time (20–80%) | — | 0.98 | ns |

¹ The timings assume the following configuration:

DDR_SEL = (11)b

DSE (drive-strength) = (111)b

² For 10 Mbps and 100 Mbps, T_{cyc} will scale to 400 ns ±40 ns and 40 ns ±4 ns respectively.

³ For all versions of RGMII prior to 2.0; this implies that PC board design will require clocks to be routed such that an additional trace delay of greater than 1.5 ns and less than 2.0 ns will be added to the associated clock signal. For 10/100, the Max value is unspecified.

⁴ Duty cycle may be stretched/shrunk during speed changes or while transitioning to a received packet's clock domain as long as minimum duty cycle is not violated and stretching occurs for no more than three T_{cyc} of the lowest speed transitioned between.

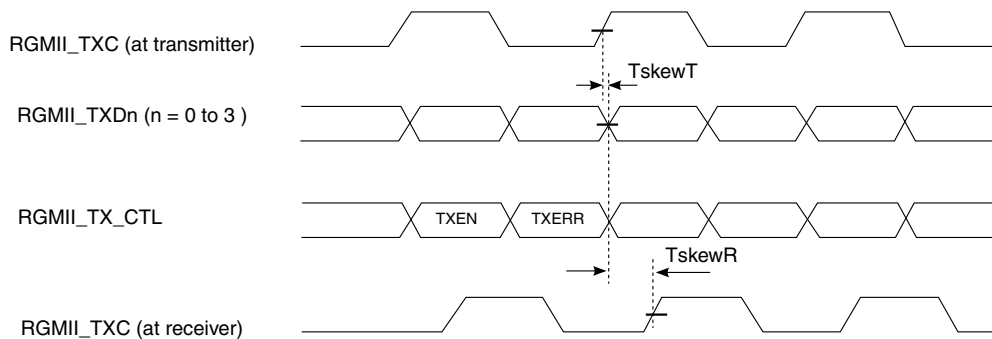


Figure 17. RGMII transmit signal timing diagram original

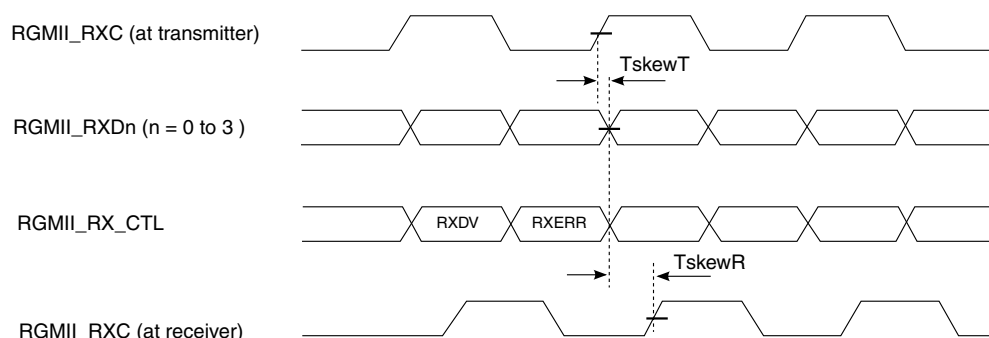


Figure 18. RGMII receive signal timing diagram original

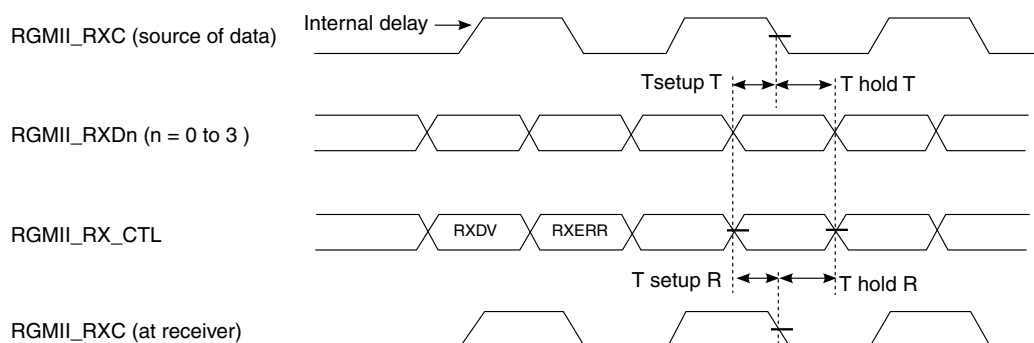


Figure 19. RGMII receive signal timing diagram with internal delay

3.9.4 General-purpose media interface (GPMI) timing

The GPMI controller of the i.MX 8M Dual / 8M QuadLite / 8M Quad processor is a flexible interface NAND Flash controller with 8-bit data width, up to 200 MB/s I/O speed and individual chip select.

It supports Asynchronous Timing mode, Source Synchronous Timing mode and Toggle Timing mode separately, as described in the following subsections.

3.9.4.1 Asynchronous mode AC timing (ONFI 1.0 compatible)

Asynchronous mode AC timings are provided as multiplications of the clock cycle and fixed delay. The maximum I/O speed of GPMI in Asynchronous mode is about 50 MB/s. Figure 20 through Figure 23 depicts the relative timing between GPMI signals at the module level for different operations under Asynchronous mode. Table 47 describes the timing parameters (NF1–NF17) that are shown in the figures.

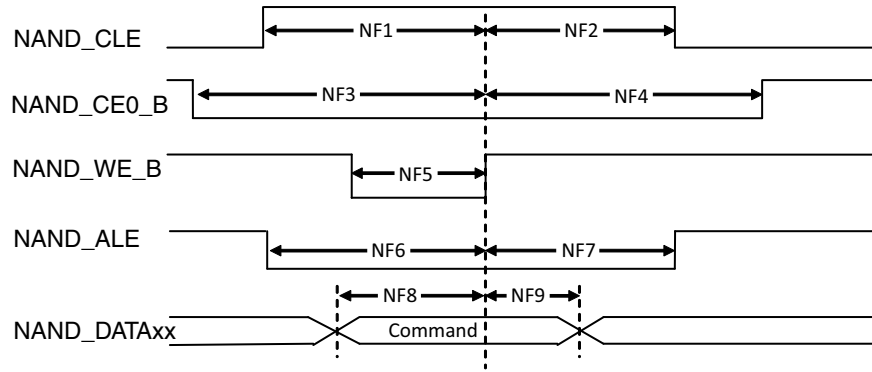


Figure 20. Command Latch cycle timing diagram

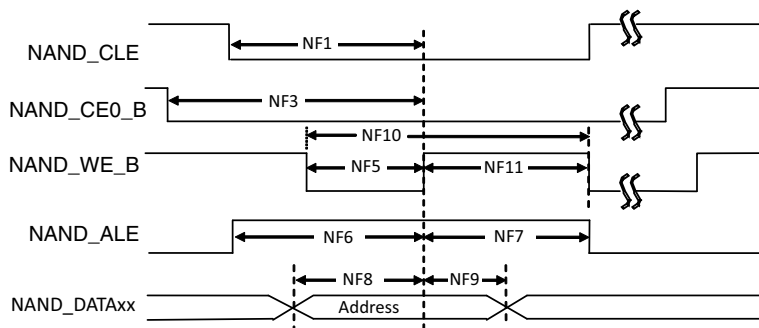


Figure 21. Address Latch cycle timing diagram

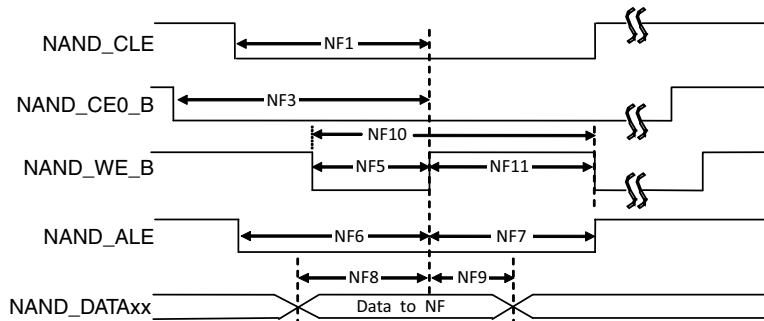


Figure 22. Write Data Latch cycle timing diagram

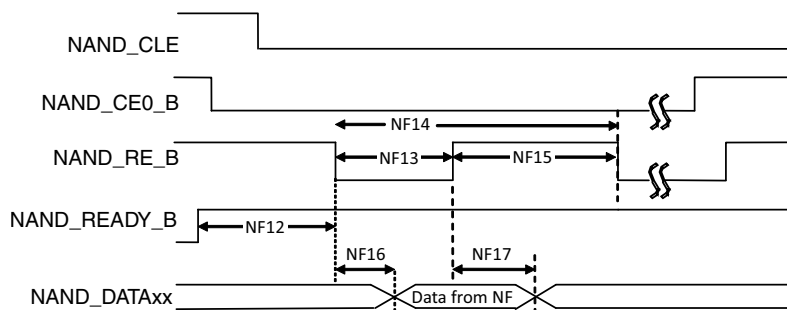


Figure 23. Read Data Latch cycle timing diagram (Non-EDO Mode)

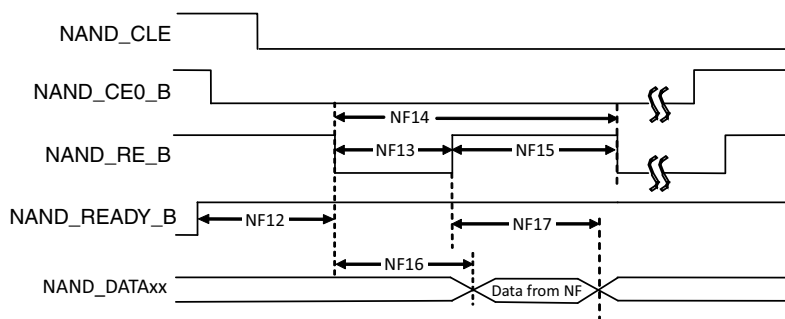


Figure 24. Read Data Latch cycle timing diagram (EDO mode)

Table 47. Asynchronous mode timing parameters¹

| ID | Parameter | Symbol | Timing T = GPMI Clock Cycle | | Unit |
|------|--------------------------|------------------|---|--|------|
| | | | Min. | Max. | |
| NF1 | NAND_CLE setup time | tCLS | $(AS + DS) \times T - 0.12$ [see notes ^{2,3}] | | ns |
| NF2 | NAND_CLE hold time | tCLH | $DH \times T - 0.72$ [see note ²] | | ns |
| NF3 | NAND_CE0_B setup time | tCS | $(AS + DS + 1) \times T$ [see notes ^{3,2}] | | ns |
| NF4 | NAND_CE0_B hold time | tCH | $(DH+1) \times T - 1$ [see note ²] | | ns |
| NF5 | NAND_WE_B pulse width | tWP | $DS \times T$ [see note ²] | | ns |
| NF6 | NAND_ALE setup time | tALS | $(AS + DS) \times T - 0.49$ [see notes ^{3,2}] | | ns |
| NF7 | NAND_ALE hold time | tALH | $DH \times T - 0.42$ [see note ²] | | ns |
| NF8 | Data setup time | tDS | $DS \times T - 0.26$ [see note ²] | | ns |
| NF9 | Data hold time | tDH | $DH \times T - 1.37$ [see note ²] | | ns |
| NF10 | Write cycle time | tWC | $(DS + DH) \times T$ [see note ²] | | ns |
| NF11 | NAND_WE_B hold time | tWH | $DH \times T$ [see note ²] | | ns |
| NF12 | Ready to NAND_RE_B low | tRR ⁴ | $(AS + 2) \times T$ [see ^{3,2}] | — | ns |
| NF13 | NAND_RE_B pulse width | tRP | $DS \times T$ [see note ²] | | ns |
| NF14 | READ cycle time | tRC | $(DS + DH) \times T$ [see note ²] | | ns |
| NF15 | NAND_RE_B high hold time | tREH | $DH \times T$ [see note ²] | | ns |
| NF16 | Data setup on read | tDSR | — | $(DS \times T - 0.67)/18.38$ [see notes ^{5,6}] | ns |
| NF17 | Data hold on read | tDHR | 0.82/11.83 [see notes ^{5,6}] | | ns |

¹ GPMI's Asynchronous mode output timing can be controlled by the module's internal registers HW_GPMI_TIMING0_ADDRESS_SETUP, HW_GPMI_TIMING0_DATA_SETUP, and HW_GPMI_TIMING0_DATA_HOLD. This AC timing depends on these registers settings. In the table, AS/DS/DH represents each of these settings.

² AS minimum value can be 0, while DS/DH minimum value is 1.

³ T = GPMI clock period -0.075 ns (half of maximum p-p jitter).

⁴ NF12 is guaranteed by the design.

⁵ Non-EDO mode.

⁶ EDO mode, GPMI clock \approx 100 MHz
(AS=DS=DH=1, GPMI_CTL1 [RDN_DELAY] = 8, GPMI_CTL1 [HALF_PERIOD] = 0).

In EDO mode (Figure 23), NF16/NF17 are different from the definition in non-EDO mode (Figure 22). They are called tREA/tRHOH (RE# access time/RE# HIGH to output hold). The typical values for them are 16 ns (max for tREA)/15 ns (min for tRHOH) at 50 MB/s EDO mode. In EDO mode, GPMI samples NAND_DATAxx at the rising edge of delayed NAND_RE_B provided by an internal DPLL. The delay value can be controlled by GPMI_CTRL1.RDN_DELAY (see the GPMI chapter of the *i.MX 8M Dual / 8M QuadLite / 8M Quad Applications Processor Reference Manual [IMX8MDQLQRM]*). The typical value of this control register is 0x8 at 50 MT/s EDO mode. But if the board delay is big enough and cannot be ignored, the delay value should be made larger to compensate the board delay.

3.9.4.2 Source synchronous mode AC timing (ONFI 2.x compatible)

Figure 25 to Figure 27 show the write and read timing of Source Synchronous mode.

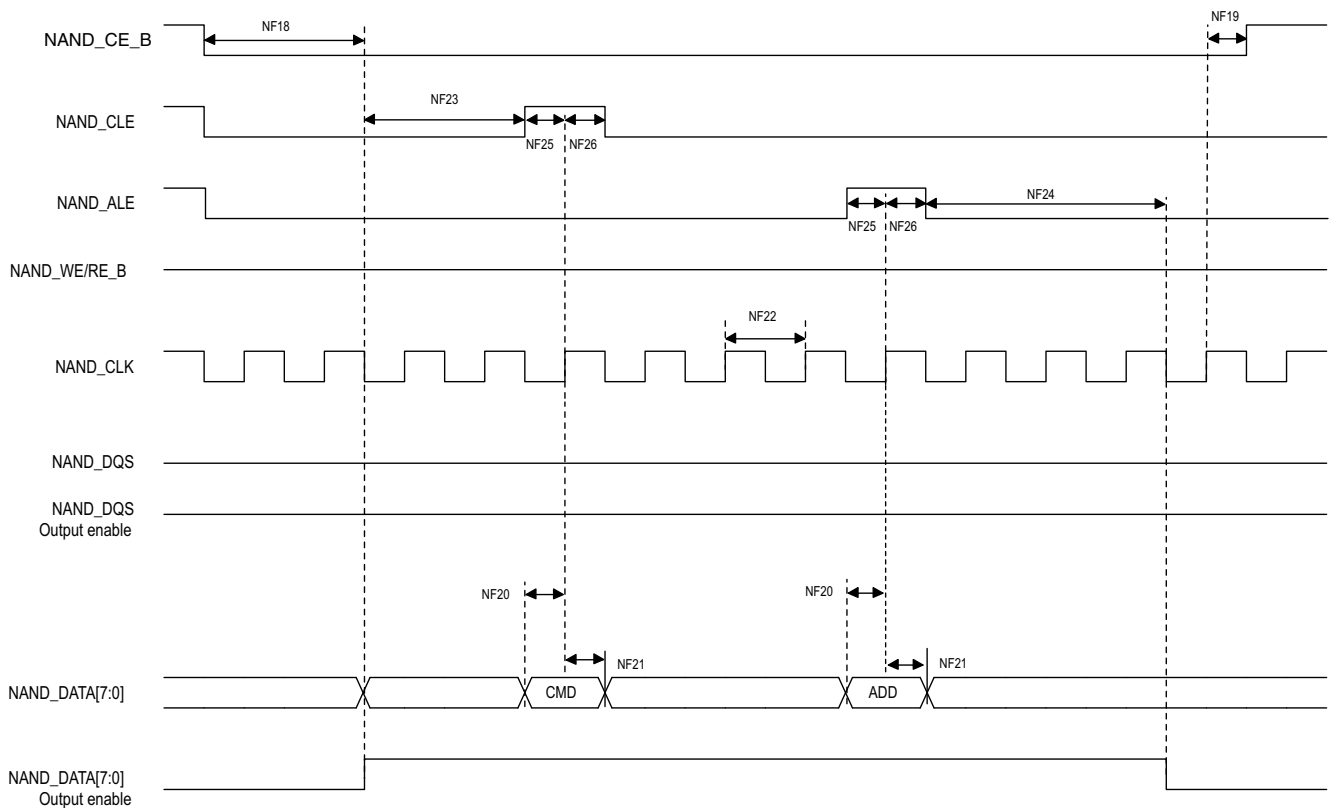


Figure 25. Source Synchronous mode command and address timing diagram

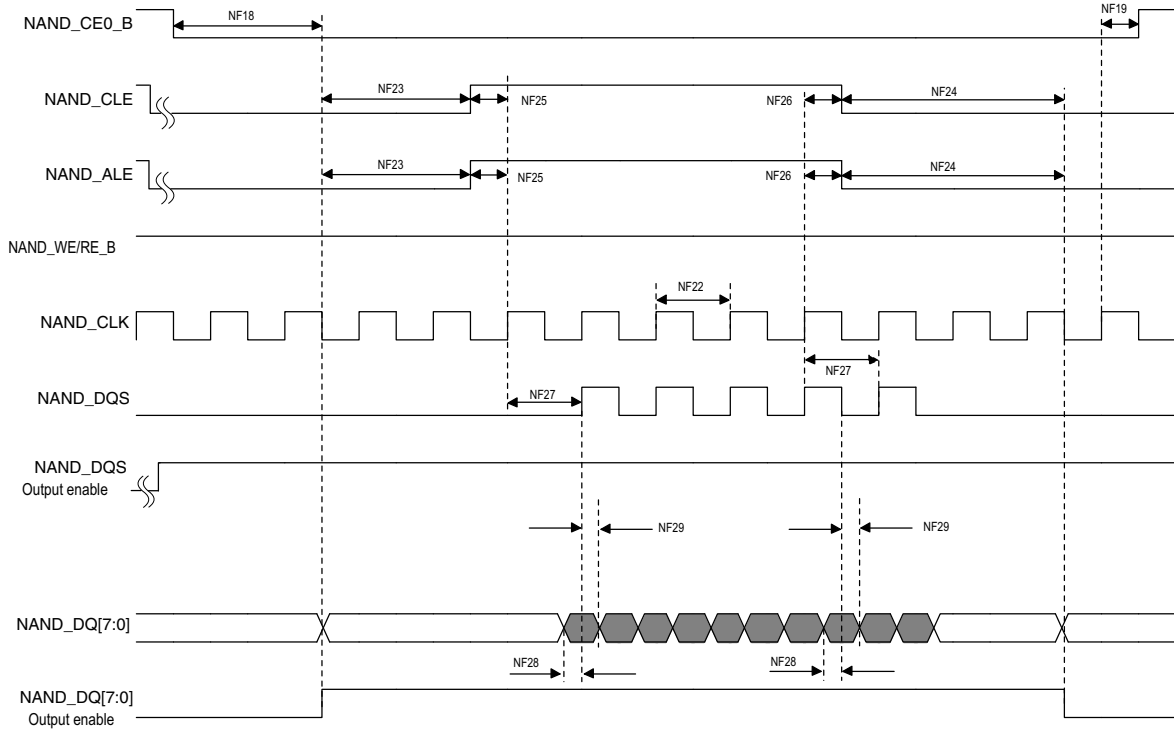


Figure 26. Source Synchronous mode data write timing diagram

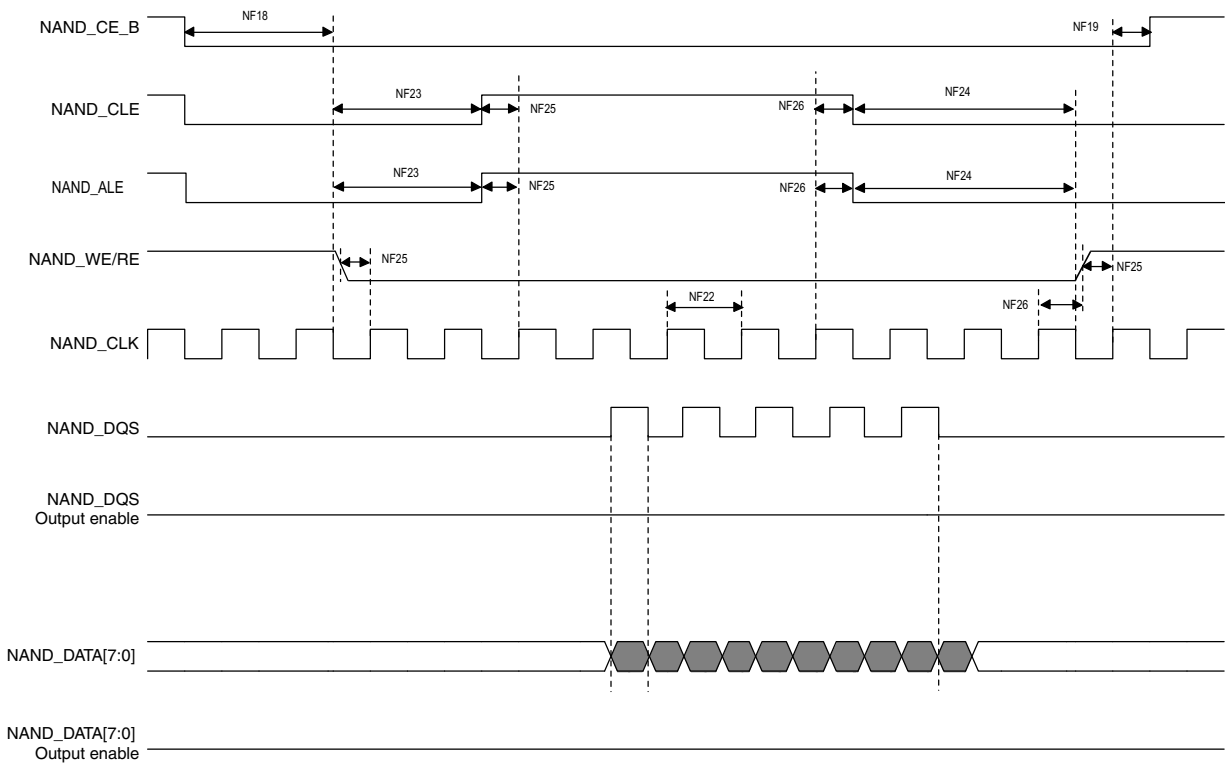


Figure 27. Source Synchronous mode data read timing diagram

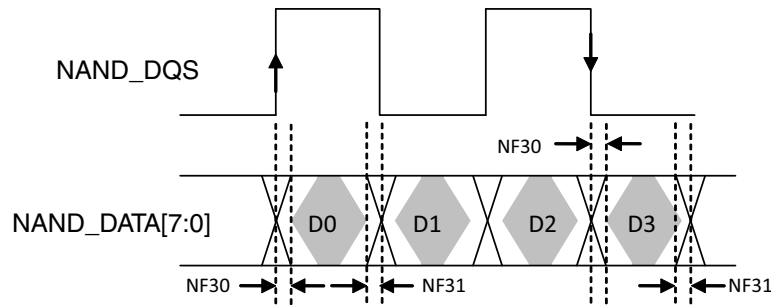


Figure 28. NAND_DQS/NAND_DQ read valid window

Table 48. Source Synchronous mode timing parameters¹

| ID | Parameter | Symbol | Timing T = GPMI Clock Cycle | | Unit |
|------|--|--------|--|------|------|
| | | | Min. | Max. | |
| NF18 | NAND_CE0_B access time | tCE | CE_DELAY × T - 0.79 [see note ²] | | ns |
| NF19 | NAND_CE0_B hold time | tCH | 0.5 × tCK - 0.63 [see note ²] | | ns |
| NF20 | Command/address NAND_DATAxx setup time | tCAS | 0.5 × tCK - 0.05 | | ns |
| NF21 | Command/address NAND_DATAxx hold time | tCAH | 0.5 × tCK - 1.23 | | ns |
| NF22 | clock period | tCK | — | | ns |
| NF23 | preamble delay | tPRE | PRE_DELAY × T - 0.29 [see note ²] | | ns |
| NF24 | postamble delay | tPOST | POST_DELAY × T - 0.78 [see note ²] | | ns |
| NF25 | NAND_CLE and NAND_ALE setup time | tCALS | 0.5 × tCK - 0.86 | | ns |
| NF26 | NAND_CLE and NAND_ALE hold time | tCALH | 0.5 × tCK - 0.37 | | ns |
| NF27 | NAND_CLK to first NAND_DQS latching transition | tDQSS | T - 0.41 [see note ²] | | ns |
| NF28 | Data write setup | — | 0.25 × tCK - 0.35 | | — |
| NF29 | Data write hold | — | 0.25 × tCK - 0.85 | | — |
| NF30 | NAND_DQS/NAND_DQ read setup skew | — | — | 2.06 | — |
| NF31 | NAND_DQS/NAND_DQ read hold skew | — | — | 1.95 | — |

¹ GPMI's Source Synchronous mode output timing can be controlled by the module's internal registers GPMI_TIMING2_CE_DELAY, GPMI_TIMING_PREAMBLE_DELAY, GPMI_TIMING2_POST_DELAY. This AC timing depends on these registers settings. In the table, CE_DELAY/PRE_DELAY/POST_DELAY represents each of these settings.

² T = tCK(GPMI clock period) - 0.075 ns (half of maximum p-p jitter).

For DDR Source Synchronous mode, Figure 28 shows the timing diagram of NAND_DQS/NAND_DATAxx read valid window. The typical value of tDQSQ is 0.85 ns (max) and 1 ns (max) for tQHS at 200 MB/s. GPMI will sample NAND_DATA[7:0] at both rising and falling edge of an delayed NAND_DQS signal, which can be provided by an internal DPLL. The delay value can be controlled by GPMI register GPMI_READ_DDR_DLL_CTRL.SLV_DLY_TARGET (see the GPMI chapter of the *i.MX 8M Dual / 8M QuadLite / 8M Quad Applications Processor Reference Manual [IMX8MDQLQRM]*). Generally, the typical delay value of this register is equal to 0x7 which means 1/4 clock cycle delay expected. But if the board delay is big enough and cannot be ignored, the delay value should be made larger to compensate the board delay.

3.9.4.3 ONFI NV-DDR2 mode (ONFI 3.2 compatible)

3.9.4.3.1 Command and address timing

ONFI 3.2 mode command and address timing is the same as ONFI 1.0 compatible Async mode AC timing. See [Section 3.9.4.1, “Asynchronous mode AC timing \(ONFI 1.0 compatible\),”](#) for details.

3.9.4.3.2 Read and write timing

ONFI 3.2 mode read and write timing is the same as Toggle mode AC timing. See [Section 3.9.4.4, “Toggle mode AC Timing,”](#) for details.

3.9.4.4 Toggle mode AC Timing

3.9.4.4.1 Command and address timing

NOTE

Toggle mode command and address timing is the same as ONFI 1.0 compatible Asynchronous mode AC timing. See [Section 3.9.4.1, “Asynchronous mode AC timing \(ONFI 1.0 compatible\),”](#) for details.

3.9.4.4.2 Read and write timing

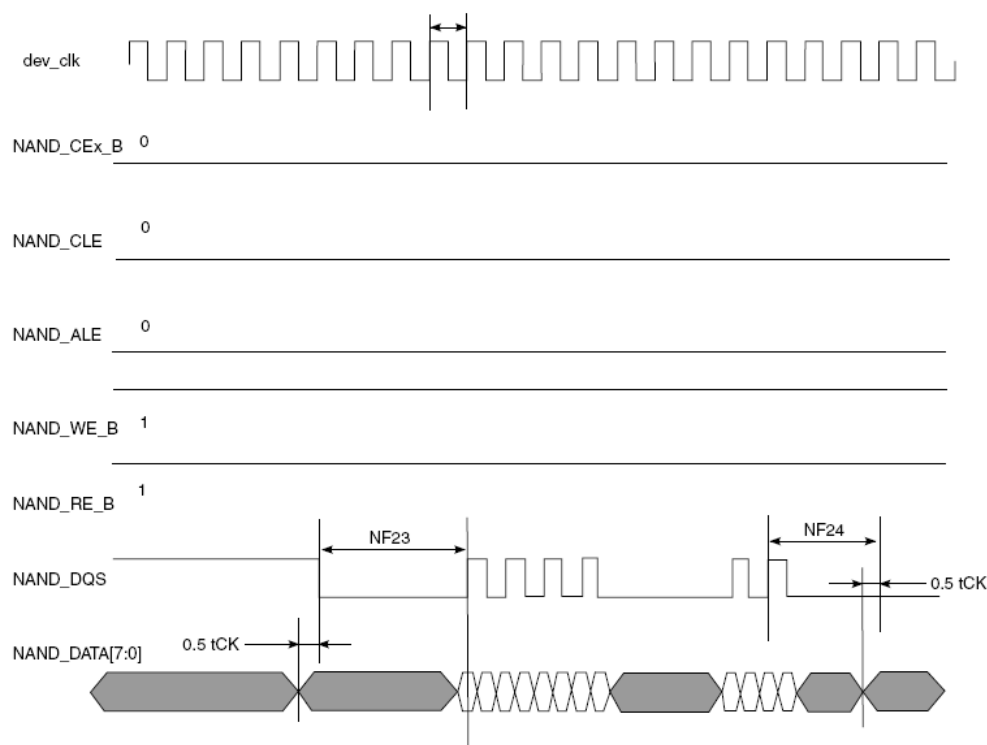


Figure 29. Toggle mode data write timing

Electrical characteristics

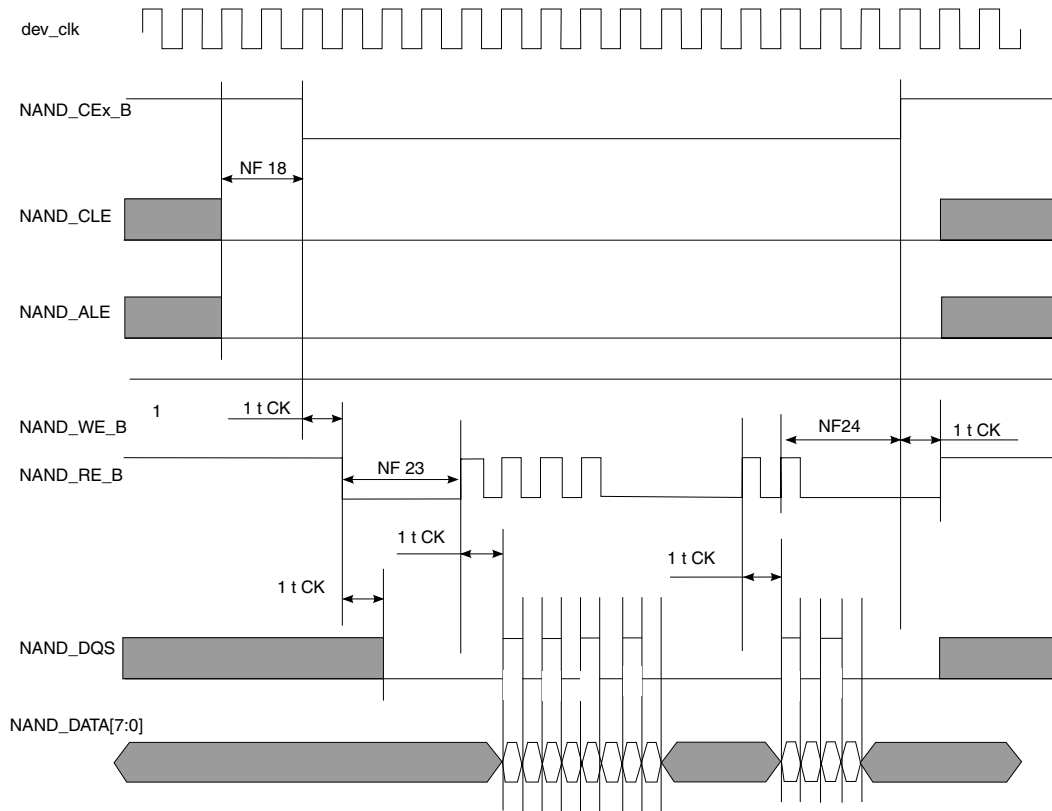


Figure 30. Toggle mode data read timing

Table 49. Toggle mode timing parameters¹

| ID | Parameter | Symbol | Timing T = GPMI Clock Cycle | | Unit |
|------|--|--------|--|------|------|
| | | | Min. | Max. | |
| NF1 | NAND_CLE setup time | tCLS | $(AS + DS) \times T - 0.12$ [see note ^{2,3}] | | |
| NF2 | NAND_CLE hold time | tCLH | $DH \times T - 0.72$ [see note ²] | | |
| NF3 | NAND_CE0_B setup time | tCS | $(AS + DS) \times T - 0.58$ [see notes ²] | | |
| NF4 | NAND_CE0_B hold time | tCH | $DH \times T - 1$ [see note ²] | | |
| NF5 | NAND_WE_B pulse width | tWP | $DS \times T$ [see note ²] | | |
| NF6 | NAND_ALE setup time | tALS | $(AS + DS) \times T - 0.49$ [see notes ²] | | |
| NF7 | NAND_ALE hold time | tALH | $DH \times T - 0.42$ [see note ²] | | |
| NF8 | Command/address NAND_DATAxx setup time | tCAS | $DS \times T - 0.26$ [see note ²] | | |
| NF9 | Command/address NAND_DATAxx hold time | tCAH | $DH \times T - 1.37$ [see note ²] | | |
| NF18 | NAND_CEx_B access time | tCE | $CE_DELAY \times T$ [see notes ^{4,2}] | — | ns |
| NF22 | clock period | tCK | — | — | ns |
| NF23 | preamble delay | tPRE | $PRE_DELAY \times T$ [see notes ^{5,2}] | — | ns |

Table 49. Toggle mode timing parameters¹ (continued)

| ID | Parameter | Symbol | Timing T = GPMI Clock Cycle | | Unit |
|------|----------------------------------|--------------------|--|------|------|
| | | | Min. | Max. | |
| NF24 | postamble delay | tPOST | POST_DELAY × T + 0.43 [see note ²] | — | ns |
| NF28 | Data write setup | tDS ⁶ | 0.25 × tCK - 0.32 | — | ns |
| NF29 | Data write hold | tDH ⁶ | 0.25 × tCK - 0.79 | — | ns |
| NF30 | NAND_DQS/NAND_DQ read setup skew | tDQSQ ⁷ | — | 3.18 | ns |
| NF31 | NAND_DQS/NAND_DQ read hold skew | tQHS ⁷ | — | 3.27 | ns |

¹ The GPMI toggle mode output timing can be controlled by the module's internal registers HW_GPMI_TIMING0_ADDRESS_SETUP, HW_GPMI_TIMING0_DATA_SETUP, and HW_GPMI_TIMING0_DATA_HOLD. This AC timing depends on these register's settings. In the table, AS/DS/DH represents each of these settings.

² AS minimum value can be 0, while DS/DH minimum value is 1.

³ T = tCK (GPMI clock period) - 0.075 ns (half of maximum p-p jitter).

⁴ CE_DELAY represents HW_GPMI_TIMING2[CE_DELAY]. NF18 is guaranteed by the design. Read/Write operation is started with enough time of ALE/CLE assertion to low level.

⁵ PRE_DELAY+1 ≥ (AS+DS)

⁶ Shown in Figure 29.

⁷ Shown in Figure 30.

For DDR Toggle mode, Figure 28 shows the timing diagram of NAND_DQS/NAND_DATA_{xx} read valid window. The typical value of tDQSQ is 1.4 ns (max) and 1.4 ns (max) for tQHS at 133 MB/s. GPMI samples NAND_DATA[7:0] at both the rising and falling edges of a delayed NAND_DQS signal, which is provided by an internal DPLL. The delay value of this register can be controlled by the GPMI register GPMI_READ_DDR_DLL_CTRL.SLV_DLY_TARGET (see the GPMI chapter of the *i.MX 8M Dual / 8M QuadLite / 8M Quad Applications Processor Reference Manual* [IMX8MDQLQRM]). Generally, the typical delay value is equal to 0x7, which means a 1/4 clock cycle delay is expected. But if the board delay is big enough and cannot be ignored, the delay value should be made larger to compensate the board delay.

3.9.5 HDMI 2.0 Tx module timing parameters

See the following specifications:

- HDMI 2.0a specification (HDMI.org)
- DisplayPort 1.3 standard (VESA.org)
 - DP supports 1.6 GHz (RBR), 2.7 GHz (HBR), and 5.4 GHz (HBR2) rates. Those rates are managed in API (Host).
 - RBR supports 1080p60 (RGB 8b), HBR supports 4kp30 (RGB 8b) and HBR2 supports 4kp60 (RGB 8b).

See bandwidth details below.

Effective bandwidth per rate with 4 lanes:

— RBR: 1.62 x 4 x 8 / 10 = 5.184 Gbps

— HBR: 2.7 x 4 x 8 / 10 = 8.64 Gbps

Electrical characteristics

- HBR2: $1.62 \times 4 \times 8 / 10 = 17.28$ Gbps
- Bandwidth required per resolution (CEA-861-F):
 - 1920 x 1080 (24 b/px) 60 fps: 3.56 Gbps
 - 3840 x 2160 (24 b/px) 30 fps: 7.13 Gbps
 - 3840 x 2160 (24 b/px) 30 fps: 14.26 Gbps
- Embedded DisplayPort 1.4 standard (VESA.org)
 - eDP link rates: R216 (2.16 Gbps), R243 (2.43 Gbps), R324 (3.24 Gbps), and R432 (4.32 Gbps)
 - Fast Link Training is also supported

DDC link requires external pull-up resistors to be connected to a 5 V supply. The following table provides the range for those pull-ups.

Table 50. Pull-up resistors for DDC link

| Ball Name | Min | Typ | Max | Unit |
|------------------|-----|-----|-----|------------|
| HDMI_TX0_DDC_SCL | 1.5 | — | 2 | k Ω |
| HDMI_TX0_DDC_SDA | 1.5 | — | 2 | k Ω |

3.9.6 I²C bus characteristics

The Inter-Integrated Circuit (I2C) provides functionality of a standard I2C master and slave. The I2C is designed to be compatible with the I2C Bus Specification, version 2.1, by Philips Semiconductor (now NXP Semiconductors).

3.9.7 MIPI D-PHY timing parameters

This section describes MIPI D-PHY electrical specifications.

3.9.7.1 MIPI HS-TX specifications

Table 51. MIPI high-speed transmitter DC specifications

| Symbol | Parameter | Min | Typ | Max | Unit |
|-----------------------------|---|-----|-----|------|----------|
| V_{CMTX}^1 | High Speed Transmit Static Common Mode Voltage | 150 | 200 | 250 | mV |
| $ \Delta V_{CMTX} _{(1,0)}$ | V_{CMTX} mismatch when Output is Differential-1 or Differential-0 | — | — | 3 | mV |
| $ V_{OD} ^1$ | High Speed Transmit Differential Voltage | 140 | 200 | 270 | mV |
| $ \Delta V_{OD} $ | V_{OD} mismatch when Output is Differential-1 or Differential-0 | — | — | 12 | mV |
| V_{OHHS}^1 | High Speed Output High Voltage | — | — | 360 | mV |
| Z_{OS} | Single Ended Output Impedance | 40 | 50 | 62.5 | Ω |
| ΔZ_{OS} | Single Ended Output Impedance Mismatch | — | — | 10 | % |

¹ Value when driving into load impedance anywhere in the Z_{ID} range.

Table 52. MIPI high-speed transmitter AC specifications

| Symbol | Parameter | Min | Typ | Max | Unit |
|-------------------------------------|---|-----|-----|--------|--------------------|
| $\Delta V_{\text{CMTX(HF)}}$ | Common-level variations above 450 MHz | — | — | 8 | mV _{RMS} |
| $\Delta V_{\text{CMTX(LF)}}$ | Common-level variation between 50-450 MHz | — | — | 10 | mV _{PEAK} |
| t_{R} and t_{F}^1 | Rise Time and Fall Time (20% to 80%) | 160 | — | 0.3 UI | ps |

¹ UI is the long-term average unit interval.

3.9.7.2 MIPI LP-TX specifications

Table 53. MIPI low-power transmitter DC specifications

| Symbol | Parameter | Min | Typ | Max | Unit |
|--------------------|---|-----|-----|-----|----------|
| V_{OH}^1 | Thevenin Output High Level | 1.1 | 1.2 | 1.3 | V |
| V_{OL} | Thevenin Output Low Level | -50 | — | 50 | mV |
| Z_{OLP}^2 | Output Impedance of Low Power Transmitter | 110 | — | — | Ω |

¹ This specification can only be met when limiting the core supply variation from 1.1 V to 1.3 V.

² Although there is no specified maximum for Z_{OLP} , the LP transmitter output impedance ensures the $T_{\text{RLP}}/T_{\text{FLP}}$ specification is met.

Table 54. MIPI low-power transmitter AC specifications

| Symbol | Parameter | Min | Typ | Max | Unit |
|---|--|-----|-----|-----|-------|
| $T_{\text{RLP}}/T_{\text{FLP}}^1$ | 15% to 85% Rise Time and Fall Time | — | — | 25 | ns |
| $T_{\text{REOT}}^{1,2,3}$ | 30% to 85% Rise Time and Fall Time | — | — | 35 | ns |
| $T_{\text{LP-PULSE-TX}}^4$ | Pulse width of the LP exclusive-OR clock: First LP exclusive-OR clock pulse after Stop state or last pulse before Stop state | 40 | — | — | ns |
| | Pulse width of the LP exclusive-OR clock: All other pulses | 20 | — | — | ns |
| $T_{\text{LP-PER-TX}}$ | Period of the LP exclusive-OR clock | 90 | — | — | ns |
| $\delta V/\delta t_{\text{SR}}^{1,5,6,7}$ | Slew Rate @ $C_{\text{LOAD}} = 0$ pF | 30 | — | 500 | mV/ns |
| | Slew Rate @ $C_{\text{LOAD}} = 5$ pF | 30 | — | 200 | mV/ns |
| | Slew Rate @ $C_{\text{LOAD}} = 20$ pF | 30 | — | 150 | mV/ns |
| | Slew Rate @ $C_{\text{LOAD}} = 70$ pF | 30 | — | 100 | mV/ns |
| C_{LOAD} | Load Capacitance | 0 | — | 70 | pF |

¹ C_{LOAD} includes the low equivalent transmission line capacitance of TX and RX are assumed to always be < 10 pF. The distributed line capacitance can be up to 50 pF for a transmission line with 2 ns delay.

² The rise-time of T_{REOT} starts from the HS common-level at the moment when the differential amplitude drops below 70 mV, due to stopping of the differential drive.

³ With an additional load capacitance CCM between 0 to 60 pF on the termination center, tap at RX side of the lane.

⁴ This parameter value can be lower than TLPX, due to differences in rise vs. fall signal slopes, trip levels, and mismatches between Dp and Dn LP transmitters. Any LP exclusive-OR pulse observed during HS EoT (transition from HS level to LP-11) is glitch behavior as described in Low-Power Receiver section.

Electrical characteristics

⁵ When the output voltage is between 15% and 85% of the fully settled LP signal levels.

⁶ Measured as average across any 50 mV segment of the output signal transition.

⁷ This value represents a corner point in a piecewise linear curve.

3.9.7.3 MIPI LP-RX specifications

Table 55. MIPI low power receiver DC specifications

| Symbol | Parameter | Min | Typ | Max | Unit |
|---------------|---|-----|-----|-----|------|
| V_{IH} | Logic 1 input voltage | 880 | — | 1.3 | mV |
| V_{IL} | Logic 0 input voltage, not in ULP state | — | — | 550 | mV |
| $V_{IL-ULPS}$ | Logic 0 input voltage, ULP state | — | — | 300 | mV |
| V_{HYST} | Input hysteresis | 25 | — | — | mV |

Table 56. MIPI low power receiver AC specifications

| Symbol | Parameter | Min | Typ | Max | Unit |
|-------------------|------------------------------|-----|-----|-----|-----------------|
| $e_{SPIKE}^{1,2}$ | Input pulse rejection | — | — | 300 | V _{ps} |
| T_{MIN-RX}^3 | Minimum pulse width response | 20 | 0 | 0 | ns |
| V_{INT} | Peak Interference amplitude | — | — | 200 | mV |
| f_{INT} | Interference frequency | 450 | — | — | MHz |

¹ Time-voltage integration of a spike above V_{IL} when in LP-0 state or below V_{IH} when in LP-1 state.

² An impulse below this value will not change the receiver state.

³ An input pulse greater than this value shall toggle the output.

3.9.7.4 MIPI LP-CD specifications

Table 57. MIPI contention detector DC specifications

| Symbol | Parameter | Min | Typ | Max | Unit |
|------------|------------------------------|-----|-----|-----|------|
| V_{IHCD} | Logic 1 contention threshold | 450 | — | — | mV |
| V_{ILCD} | Logic 0 contention threshold | — | — | 200 | mV |

3.9.7.5 MIPI DC specifications

Table 58. MIPI input characteristics DC specifications

| Symbol | Parameter | Min | Typ | Max | Unit |
|--------------|--------------------------|-----|-----|------|------|
| V_{PIN} | Pad signal voltage range | -50 | — | 1350 | mV |
| I_{LEAK}^1 | Pin leakage current | -30 | — | 30 | μA |
| V_{GNDSH} | Ground shift | -50 | — | 50 | mV |

Table 58. MIPI input characteristics DC specifications (continued)

| | | | | | |
|----------------------|---|-------|---|------|----|
| $V_{PIN(absmax)}^2$ | Maximum pin voltage level | -0.15 | — | 1.45 | V |
| $T_{VPIN(absmax)}^3$ | Maximum transient time above $V_{PIN(max)}$ or below $V_{PIN(min)}$ | — | — | 20 | ns |

¹ When the pad voltage is within the signal voltage range between $V_{GNDSh(min)}$ to $V_{OH} + V_{GNDSh(max)}$ and the Lane Module is in LP receive mode.

² This value includes ground shift.

³ The voltage overshoot and undershoot beyond the V_{PIN} is only allowed during a single 20 ns window after any LP-0 to LP-1 transition or vice versa. For all other situations it must stay within the V_{PIN} range.

3.9.8 PCIe PHY parameters

The PCIe interface is designed to be compatible with PCIe specification Gen2 x1 lane and supports the PCI Express 1.1/2.0 standard.

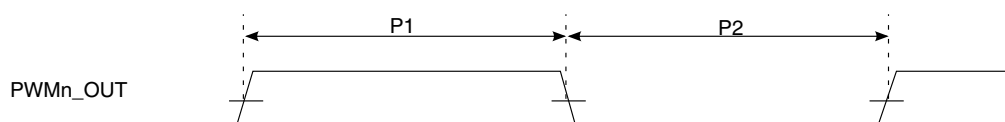
3.9.8.1 PCIe_{EX}_RESREF reference resistor connection

The impedance calibration process requires connection of reference resistor 200 Ω , 1% precision resistor on PCIe_{EX}_RESREF pads to ground. It is used for termination impedance calibration.

3.9.9 Pulse width modulator (PWM) timing parameters

This section describes the electrical information of the PWM. The PWM can be programmed to select one of three clock signals as its source frequency. The selected clock signal is passed through a prescaler before being input to the counter. The output is available at the pulse-width modulator output (PWMO) external pin.

Figure 31 depicts the timing of the PWM, and Table 59 lists the PWM timing parameters.

**Figure 31. PWM timing****Table 59. PWM output timing parameters**

| ID | Parameter | Min | Max | Unit |
|----|-----------------------------|-----|------------------|------|
| | PWM Module Clock Frequency | 0 | ipg_clk (66 MHz) | MHz |
| P1 | PWM output pulse width high | 15 | — | ns |
| P2 | PWM output pulse width low | 15 | — | ns |

3.9.10 Quad SPI (QSPI) timing parameters

This section describes the electrical information for QSPI.

Electrical characteristics

Measurement is with a load of 35 pF on SCK and SIO pins and an input slew rate of 1 V/ns.

3.9.10.1 SDR Mode

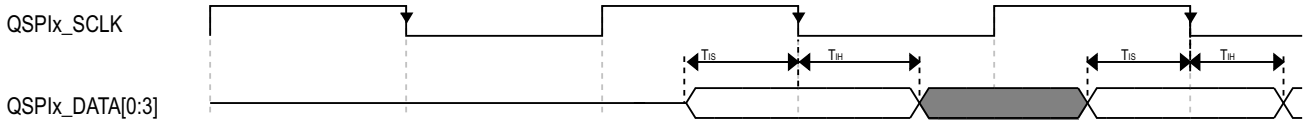


Figure 32. QuadSPI input/read timing (SDR mode with internal sampling)

Table 60. QuadSPI input timing (SDR mode with internal sampling)

| Symbol | Parameter | Value | | Unit |
|----------|---|-------|-----|------|
| | | Min | Max | |
| T_{IS} | Setup time for incoming data | 8.67 | — | ns |
| T_{IH} | Hold time requirement for incoming data | 0 | — | ns |

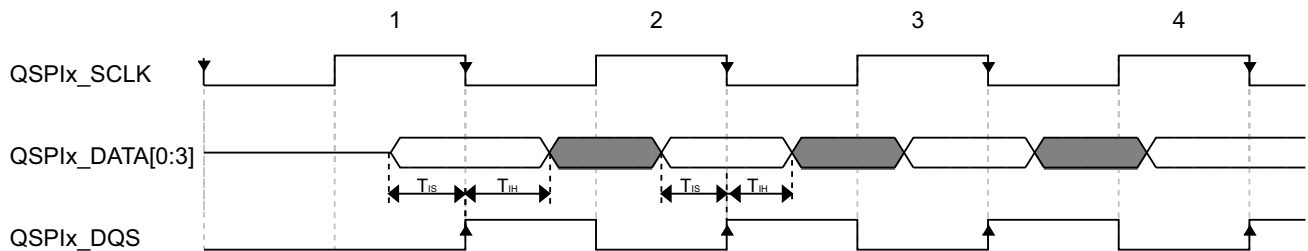


Figure 33. QuadSPI input/read timing (SDR mode with loopback DQS sampling)

Table 61. QuadSPI input/read timing (SDR mode with loopback DQS sampling)

| Symbol | Parameter | Value | | Unit |
|----------|---|-------|-----|------|
| | | Min | Max | |
| T_{IS} | Setup time for incoming data | 2 | — | ns |
| T_{IH} | Hold time requirement for incoming data | 1 | — | ns |

NOTE

- For internal sampling, the timing values assume using sample point 0, that is QuadSPIx_SMPR[SDRSMP] = 0.

- For loopback DQS sampling, the data strobe is output to the DQS pad together with the serial clock. The data strobe is looped back from DQS pad and used to sample input data.

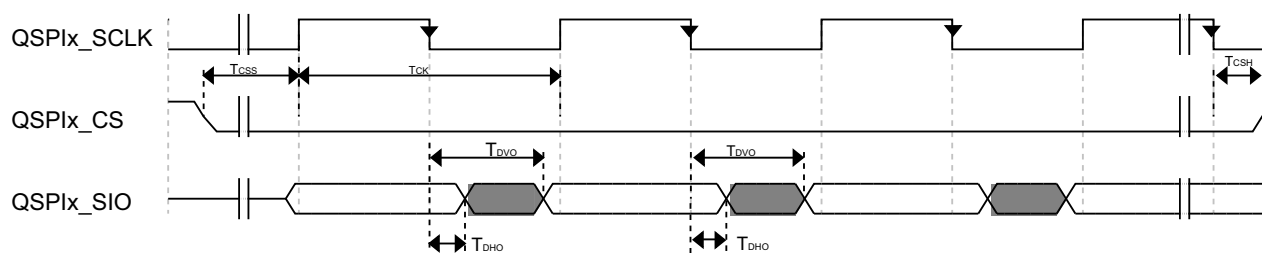


Figure 34. QuadSPI output/write timing (SDR mode)

Table 62. QuadSPI output/write timing (SDR mode)

| Symbol | Parameter | Value | | Unit |
|-----------|-------------------------------|-------|-----|------|
| | | Min | Max | |
| T_{DVO} | Output data valid time | — | 2 | ns |
| T_{DHO} | Output data hold time | -0.5 | — | ns |
| T_{CK} | SCK clock period | 10 | — | ns |
| T_{CSS} | Chip select output setup time | 3 | — | ns |
| T_{CSH} | Chip select output hold time | 3 | — | ns |

NOTE

T_{css} and T_{csh} are configured by the QuadSPIx_FLSHCR register; the default value of 3 is shown on the timing. See the *i.MX 8M Dual / 8M QuadLite / 8M Quad Applications Processor Reference Manual (IMX8MDQLQRM)* for more details.

3.9.10.2 DDR mode

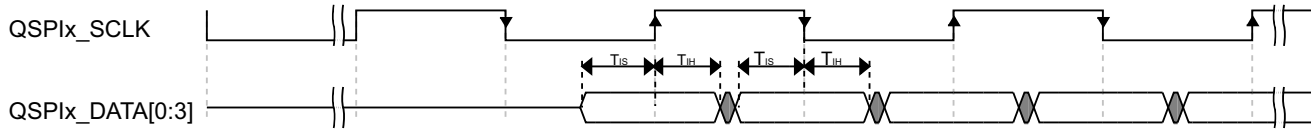


Figure 35. QuadSPI input/read timing (DDR mode with internal sampling)

Table 63. QuadSPI input/read timing (DDR mode with internal sampling)

| Symbol | Parameter | Value | | Unit |
|----------|---|-------|-----|------|
| | | Min | Max | |
| T_{IS} | Setup time for incoming data | 8.67 | — | ns |
| T_{IH} | Hold time requirement for incoming data | 0 | — | ns |

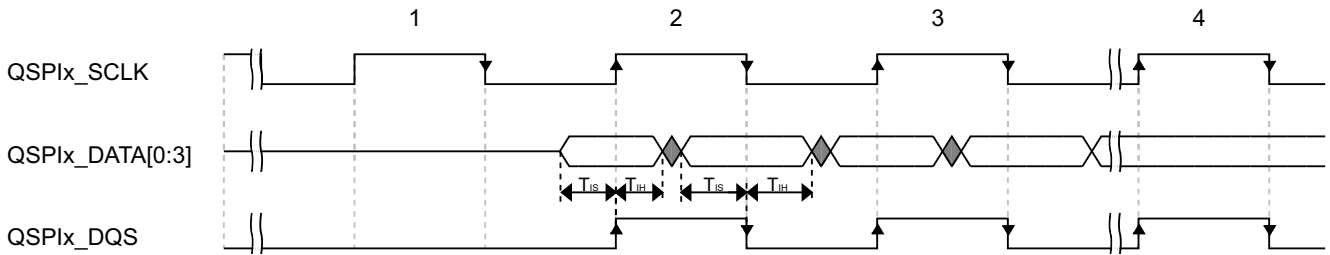


Figure 36. QuadSPI input/read timing (DDR mode with loopback DQS sampling)

Table 64. QuadSPI input/read timing (DDR mode with loopback DQS sampling)

| Symbol | Parameter | Value | | Unit |
|----------|---|-------|-----|------|
| | | Min | Max | |
| T_{IS} | Setup time for incoming data | 2 | — | ns |
| T_{IH} | Hold time requirement for incoming data | 1 | — | ns |

NOTE

- For internal sampling, the timing values assume using sample point 0, that is $QuadSPIx_SMR[SDRSMP] = 0$.

- For loopback DQS sampling, the data strobe is output to the DQS pad together with the serial clock. The data strobe is looped back from DQS pad and used to sample input data.

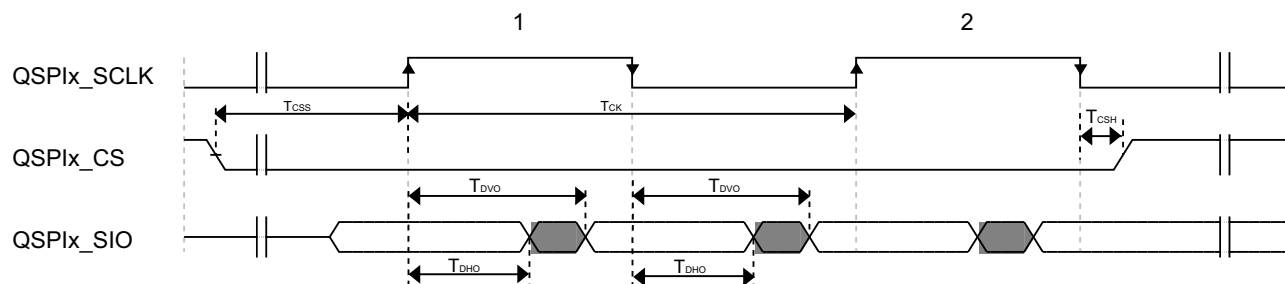


Figure 37. QuadSPI output/write timing (DDR mode)

Table 65. QuadSPI output/write timing (DDR mode)

| Symbol | Parameter | Value | | Unit |
|-----------|-------------------------------|--------------------------------|------------------------------|--------------|
| | | Min | Max | |
| T_{DVO} | Output data valid time | — | $(0.25 \times T_{SCLK}) + 2$ | ns |
| T_{DHO} | Output data hold time | $(0.25 \times T_{SCLK}) - 0.5$ | — | ns |
| T_{CK} | SCK clock period | 20 | — | ns |
| T_{CSS} | Chip select output setup time | 3 | — | SCK cycle(s) |
| T_{CSH} | Chip select output hold time | 3 | — | ns |

NOTE

T_{css} and T_{csh} are configured by the QuadSPIx_FLSHCR register; the default value of 3 is shown on the timing. See the *i.MX 8M Dual / 8M QuadLite / 8M Quad Applications Processor Reference Manual* (IMX8MDQLQRM) for more details.

3.9.11 SAI/I2S switching specifications

This section provides the AC timings for the SAI in Master (clocks driven) and Slave (clocks input) modes. All timings are given for non inverted serial clock polarity (SAI_TCR[TSCKP] = 0, SAI_RCR[RSCKP] = 0) and non inverted frame sync (SAI_TCR[TFSI] = 0, SAI_RCR[RFSI] = 0). If the polarity of the clock and/or the frame sync have been inverted, all the timings remain valid by inverting the clock signal (SAI_BCLK) and/or the frame sync (SAI_FS) shown in the figures below.

Table 66. Master mode SAI timing

| Num | Characteristic | Min | Max | Unit |
|-----|-------------------------------|-----|-----|-------------|
| S1 | SAI_MCLK cycle time | 20 | — | ns |
| S2 | SAI_MCLK pulse width high/low | 40% | 60% | MCLK period |
| S3 | SAI_BCLK cycle time | 40 | — | ns |

Table 66. Master mode SAI timing (continued)

| Num | Characteristic | Min | Max | Unit |
|-----|--|-----|-----|-------------|
| S4 | SAI_BCLK pulse width high/low | 40% | 60% | BCLK period |
| S5 | SAI_BCLK to SAI_FS output valid | — | 15 | ns |
| S6 | SAI_BCLK to SAI_FS output invalid | 0 | — | ns |
| S7 | SAI_BCLK to SAI_TXD valid | — | 15 | ns |
| S8 | SAI_BCLK to SAI_TXD invalid | 0 | — | ns |
| S9 | SAI_RXD/SAI_FS input setup before SAI_BCLK | 15 | — | ns |
| S10 | SAI_RXD/SAI_FS input hold after SAI_BCLK | 0 | — | ns |

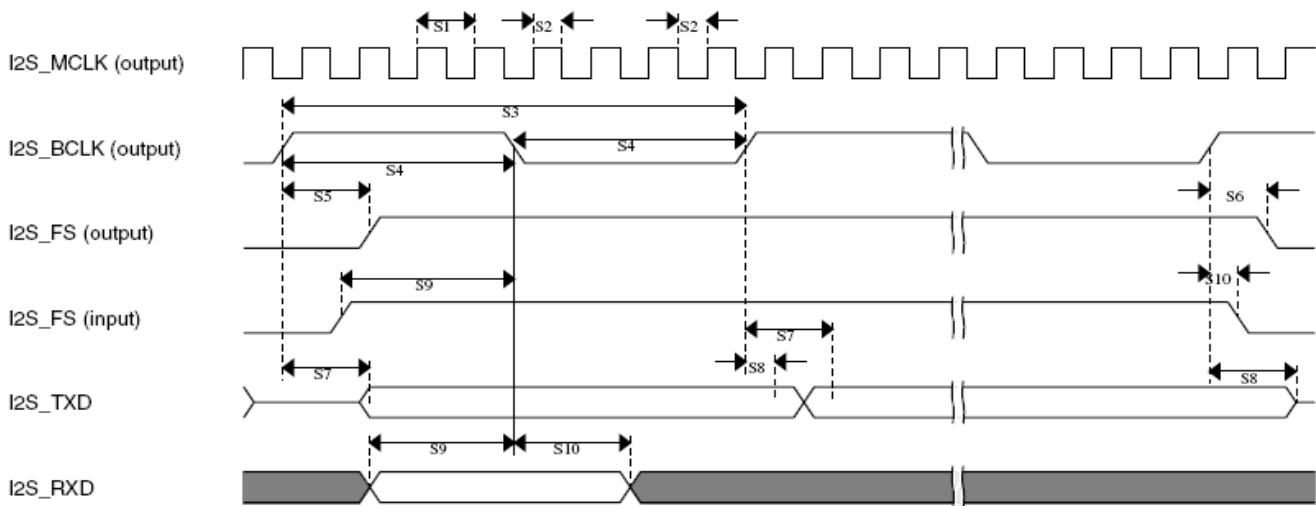


Figure 38. SAI timing—Master modes

Table 67. Slave mode SAI timing

| Num | Characteristic | Min | Max | Unit |
|-----|---|-----|-----|-------------|
| S11 | SAI_BCLK cycle time (input) | 40 | — | ns |
| S12 | SAI_BCLK pulse width high/low (input) | 40% | 60% | BCLK period |
| S13 | SAI_FS input setup before SAI_BCLK | 10 | — | ns |
| S14 | SAI_FA input hold after SAI_BCLK | 2 | — | ns |
| S15 | SAI_BCLK to SAI_TXD/SAI_FS output valid | — | 20 | ns |
| S16 | SAI_BCLK to SAI_TXD/SAI_FS output invalid | 0 | — | ns |
| S17 | SAI_RXD setup before SAI_BCLK | 10 | — | ns |
| S18 | SAI_RXD hold after SAI_BCLK | 2 | — | ns |

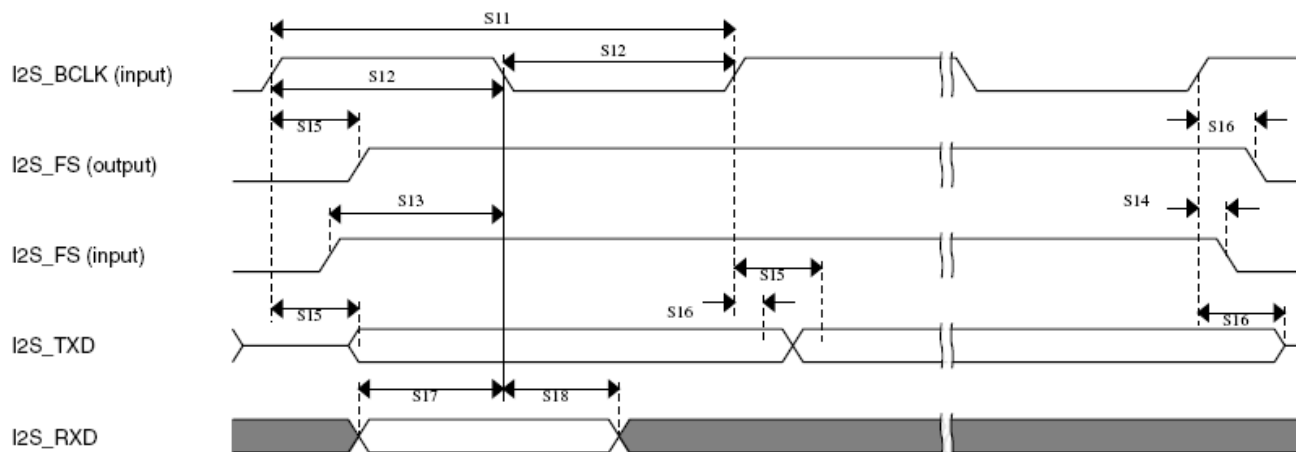


Figure 39. SAI Timing — Slave Modes

3.9.12 SPDIF timing parameters

The Sony/Philips Digital Interconnect Format (SPDIF) data is sent using the bi-phase marking code. When encoding, the SPDIF data signal is modulated by a clock that is twice the bit rate of the data signal.

Table 68 and Figure 40 and Figure 41 show SPDIF timing parameters for the Sony/Philips Digital Interconnect Format (SPDIF), including the timing of the modulating Rx clock (SPDIF_SR_CLK) for SPDIF in Rx mode and the timing of the modulating Tx clock (SPDIF_ST_CLK) for SPDIF in Tx mode.

Table 68. SPDIF timing parameters

| Parameter | Symbol | Timing Parameter Range | | Unit |
|--|---------|------------------------|------|------|
| | | Min | Max | |
| SPDIF_IN Skew: asynchronous inputs, no specs apply | — | — | 0.7 | ns |
| SPDIF_OUT output (Load = 50 pf) | | | | |
| • Skew | — | — | 1.5 | ns |
| • Transition rising | — | — | 24.2 | |
| • Transition falling | — | — | 31.3 | |
| SPDIF_OUT output (Load = 30 pf) | | | | |
| • Skew | — | — | 13.6 | ns |
| • Transition rising | — | — | 18.0 | |
| • Transition falling | — | — | | |
| Modulating Rx clock (SPDIF_SR_CLK) period | srckp | 40.0 | — | ns |
| SPDIF_SR_CLK high period | srckph | 16.0 | — | ns |
| SPDIF_SR_CLK low period | srckpl | 16.0 | — | ns |
| Modulating Tx clock (SPDIF_ST_CLK) period | stelkpl | 40.0 | — | ns |
| SPDIF_ST_CLK high period | stelkph | 16.0 | — | ns |
| SPDIF_ST_CLK low period | stelkpl | 16.0 | — | ns |

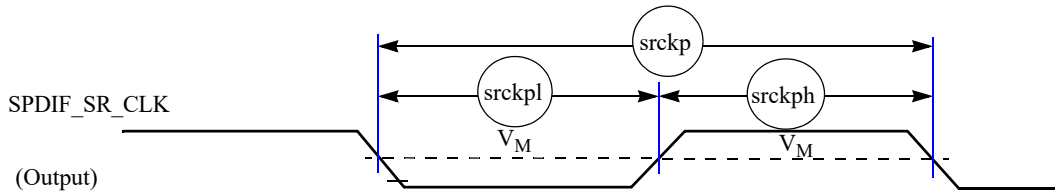


Figure 40. SPDIF_SR_CLK timing diagram

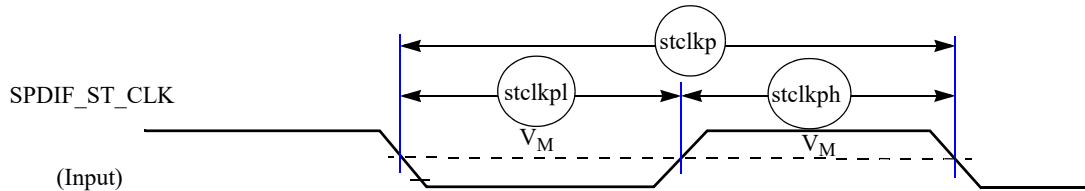


Figure 41. SPDIF_ST_CLK timing diagram

3.9.13 UART I/O configuration and timing parameters

3.9.13.1 UART RS-232 I/O configuration in different modes

The UART interfaces of the i.MX 8M Dual / 8M QuadLite / 8M Quad processors can serve both as DTE or DCE device. This can be configured by the DCEDTE control bit (default 0—DCE mode). Table 69 shows the UART I/O configuration based on the enabled mode.

Table 69. UART I/O configuration vs. mode

| Port | DTE Mode | | DCE Mode | |
|---------------|-----------|-----------------------------|-----------|-----------------------------|
| | Direction | Description | Direction | Description |
| UARTx_RTS_B | Output | UARTx_RTS_B from DTE to DCE | Input | UARTx_RTS_B from DTE to DCE |
| UARTx_CTS_B | Input | UARTx_CTS_B from DCE to DTE | Output | UARTx_CTS_B from DCE to DTE |
| UARTx_TX_DATA | Input | Serial data from DCE to DTE | Output | Serial data from DCE to DTE |
| UARTx_RX_DATA | Output | Serial data from DTE to DCE | Input | Serial data from DTE to DCE |

3.9.13.2 UART RS-232 Serial mode timing

This section describes the electrical information of the UART module in the RS-232 mode.

3.9.13.2.1 UART transmitter

Figure 42 depicts the transmit timing of UART in the RS-232 Serial mode, with 8 data bit/1 stop bit format. Table 70 lists the UART RS-232 Serial mode transmit timing characteristics.

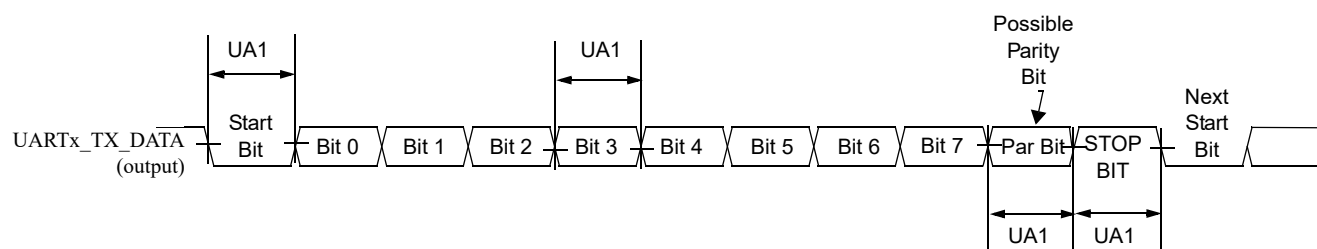


Figure 42. UART RS-232 Serial mode transmit timing diagram

Table 70. RS-232 Serial mode transmit timing parameters

| ID | Parameter | Symbol | Min | Max | Unit |
|-----|-------------------|------------|---------------------------------------|-----------------------------------|------|
| UA1 | Transmit Bit Time | t_{Tbit} | $1/F_{baud_rate}^1 - T_{ref_clk}^2$ | $1/F_{baud_rate} + T_{ref_clk}$ | — |

¹ F_{baud_rate} : Baud rate frequency. The maximum baud rate the UART can support is $(ipg_perclk \text{ frequency})/16$.

² T_{ref_clk} : The period of UART reference clock ref_clk (ipg_perclk after RFDIV divider).

3.9.13.2.2 UART receiver

Figure 43 depicts the RS-232 Serial mode receive timing with 8 data bit/1 stop bit format. Table 71 lists Serial mode receive timing characteristics.

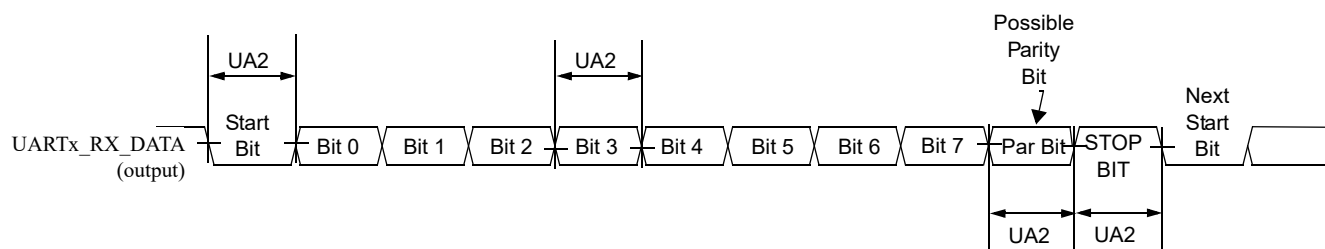


Figure 43. UART RS-232 Serial mode receive timing diagram

Table 71. RS-232 Serial mode receive timing parameters

| ID | Parameter | Symbol | Min | Max | Unit |
|-----|-------------------------------|------------|---|---|------|
| UA2 | Receive Bit Time ¹ | t_{Rbit} | $1/F_{baud_rate}^2 - 1/(16 \times F_{baud_rate})$ | $1/F_{baud_rate} + 1/(16 \times F_{baud_rate})$ | — |

¹ The UART receiver can tolerate $1/(16 \times F_{baud_rate})$ tolerance in each bit. But accumulation tolerance in one frame must not exceed $3/(16 \times F_{baud_rate})$.

² F_{baud_rate} : Baud rate frequency. The maximum baud rate the UART can support is $(ipg_perclk \text{ frequency})/16$.

3.9.14 USB PHY parameters

This section describes the USB-OTG PHY parameters.

The USB PHY meets the electrical compliance requirements defined in the Universal Serial Bus Revision 3.0 OTG, USB Host with the amendments below (On-The-Go and Embedded Host Supplement to the USB Revision 3.0 Specification is not applicable to Host port):

- USB ENGINEERING CHANGE NOTICE
 - Title: 5V Short Circuit Withstand Requirement Change
 - Applies to: Universal Serial Bus Specification, Revision 2.0
- Errata for USB Revision 2.0 April 27, 2000 as of 12/7/2000
- USB ENGINEERING CHANGE NOTICE
 - Title: Pull-up/Pull-down resistors
 - Applies to: Universal Serial Bus Specification, Revision 2.0
- USB ENGINEERING CHANGE NOTICE
 - Title: Suspend Current Limit Changes
 - Applies to: Universal Serial Bus Specification, Revision 2.0
- USB ENGINEERING CHANGE NOTICE
 - Title: USB 2.0 Phase Locked SOFs
 - Applies to: Universal Serial Bus Specification, Revision 2.0
- On-The-Go and Embedded Host Supplement to the USB Revision 2.0 Specification
 - Revision 2.0, version 1.1a, July 27, 2010
- Battery Charging Specification (available from USB-IF)
 - Revision 1.2, December 7, 2010

3.9.14.1 USB_OTG*_REXT reference resistor connection

The bias generation and impedance calibration process for the USB OTG PHYs requires connection of reference resistors 200 Ω 1% precision on each of USB_OTG1_REXT and USB_OTG2_REXT pads to ground.

3.9.14.2 USB_OTG_CHD_B USB battery charger detection external pullup resistor connection

The usage and external resistor connection for the USB_OTG_CHD_B pin are described in [Table 5](#), and [Section 3.7.3](#), “USB battery charger detection driver impedance.”

3.9.15 USB 2.0 PHY parameters

USB 2.0 PHY parameters are compatible with USB 3.0 PHY. See [Section 3.9.16](#), “USB 3.0 PHY parameters” for more detailed information.

3.9.16 USB 3.0 PHY parameters

This section describes the electrical information about USB 3.0 PHY.

Table 72 shows the USB 3.0 PHY junction temperature.

Table 72. USB 3.0 PHY junction temperature

| Min | Max |
|--------|--------|
| -40 °C | 125 °C |

Table 73 shows the USB 3.0 PHY power dissipation of SuperSpeed 5-Gbps operation.

Table 73. USB 3.0 PHY power dissipation: SuperSpeed 5-Gbps operation (unit: for current is mA, for power is mW)

| Mode | Conditions | Current from USB1/2_VP | Current from USB1/2_VPTX | Current from USB1/2_VPH | Total Current | Total Power |
|------------|------------|------------------------|--------------------------|-------------------------|---------------|----------------|
| U0 | TT/WC | 25.700/35.700 | 15.000/21.200 | 14.000/20.300 | 54.700/77.200 | 82.800/130.000 |
| Power-Down | TT/WC | 0.318/2.550 | 0.012/0.184 | 0.012/0.030 | 0.34/2.764 | 0.337/2.816 |

Table 74 shows the USB 3.0 PHY power dissipation: HS/FS/LS operation.

Table 74. USB 3.0 PHY power dissipation: HS/FS/LS operations (unit: for current is mA, for power is mW)

| Mode | Conditions | Current from USB1/2_DVDD | Current from USB1/2_VDD33 | Total Current | Total Power |
|------------------|------------|--------------------------|---------------------------|---------------|---------------|
| HS TX | TT/WC | 4.800/9.200 | 24.000/24.400 | 28.800/33.600 | 83.500/97.700 |
| FS TX | TT/WC | 2.800/6.800 | 22.100/24.500 | 24.900/31.200 | 75.400/95.500 |
| LS TX | TT/WC | 3.500/7.700 | 19.300/20.400 | 22.800/28.100 | 66.900/81.700 |
| Power-Down | TT/WC | 0.048/3.690 | 0.065/0.146 | 0.112/3.386 | 0.257/4.182 |
| Suspend | TT/WC | 0.047/3.690 | 0.066/0.154 | 0.113/3.844 | 0.261/4.213 |
| Battery Charging | TT/WC | 0.122/3.760 | 6.350/5.780 | 6.472/9.540 | 21.065/24.704 |

Table 75 shows the worst-case maximum current.

Table 75. Worst-Case maximum current

| USB1/2_VPH | USB1/2_VP | USB1/2_VPTX | USB1/2_VDD33 | USB1/2_DVDD | Unit |
|------------|-----------|-------------|--------------|-------------|------|
| 20.3 | 35.7 | 21.2 | 24.5 | 9.2 | mA |

Table 76 shows the USB power pin supplies.

Table 76. USB power pin supplies

| Pin Name | Description | Value |
|------------|--|---------------------|
| USB1/2_VDD | PHY analog and digital high-speed supply | 0.9 V (+22.2%, -7%) |
| USB1/2_VP | PHY analog and digital SuperSpeed supply | 0.9 V (+22.2%, -7%) |

Table 76. USB power pin supplies (continued)

| Pin Name | Description | Value |
|--------------|---|---------------------|
| USB1/2_VPTX | PHY transmit supply | 0.9 V (+22.2%, -7%) |
| USB1/2_VDD33 | High supply for high-speed operation IO | 3.3 V (+10%, -7%) |
| USB1/2_VPH | High supply for SuperSpeed operation IO | 3.3 V (+10%, -7%) |

Table 77 shows the external component values.

Table 77. External component values

| Component | Pin Name | Value |
|----------------------------|-------------------------|----------------------------|
| External resistor (resref) | USB1_RESREF/USB2_RESREF | 200 Ω ($\pm 1\%$) |

Table 78 shows the minimum ESD protection target levels.

Table 78. Minimum ESD protection target levels

| ESD Category | Minimum Protection Level | JEDEC Class |
|---|----------------------------|-----------------------------------|
| Human Body Model (HBM) (JS-001-2014) | 2 KV | 2 |
| Charged Device Model (CDM) (JESD22-C101F) | 6 A peak discharge current | C2/C1 (500 V/ 250 V) ¹ |
| Machine Model (MM) (JESD22_A115C) | 100 V | N/A |

¹ Support for either 500 V or 250 V CDM target level is dependent on maximum discharge current generated in final SoC/package implementation.

Table 79 shows the supply impedance requirements.

Table 79. Supply impedance requirements

| $L_{gd} + L_{vptx}(nH)$ | $L_{VSSA\langle\#\rangle} + L_{DVDD}(nH)$ | $L_{gd} + L_{vptx\langle\#\rangle}(nH)$ | $L_{VSSA\langle\#\rangle} + L_{VDD33\langle\#\rangle}(nH)$ | $L_{gd} + L_{vph}(nH)$ |
|-------------------------|---|---|--|------------------------|
| < 2.4 | < 2.4 | < 2.4 | < 2.8 | < 2.8 |

4 Boot mode configuration

This section provides information on Boot mode configuration pins allocation and boot devices interfaces allocation.

4.1 Boot mode configuration pins

Table 80 provides boot options, functionality, fuse values, and associated pins. Several input pins are also sampled at reset and can be used to override fuse values, depending on the value of BT_FUSE_SEL fuse. The boot option pins are in effect when BT_FUSE_SEL fuse is '0' (cleared, which is the case for an unblown fuse). For detailed Boot mode options configured by the Boot mode pins, see the “System Boot, Fusemap, and eFuse” chapter in the *i.MX 8M Dual / 8M QuadLite / 8M Quad Applications Processor Reference Manual (IMX8MDQLQRM)*.

Table 80. Fuses and associated pins used for boot

| Pin | Direction at Reset | eFuse name | State during reset (POR_B asserted) | State after reset (POR_B deasserted) | Details |
|------------|--------------------|--------------|-------------------------------------|--------------------------------------|--|
| BOOT_MODE0 | Input | N/A | Input with 95 K pull down | Input with 95 K pull down | Boot mode selection |
| BOOT_MODE1 | Input | N/A | Input with 95 K pull down | Input with 95 K pull down | Boot mode selection |
| SAI1_RXD0 | Input | BOOT_CFG[0] | Input with 95 K pull down | Input with 95 K pull down | Boot options pin value overrides fuse settings for BT_FUSE_SEL = "0". Signal configuration as fuse override input at power up. These are special I/O lines that control the boot configuration during product development. In production, the boot configuration can be controlled by fuses. |
| SAI1_RXD1 | Input | BOOT_CFG[1] | Input with 95 K pull down | Input with 95 K pull down | |
| SAI1_RXD2 | Input | BOOT_CFG[2] | Input with 95 K pull down | Input with 95 K pull down | |
| SAI1_RXD3 | Input | BOOT_CFG[3] | Input with 95 K pull down | Input with 95 K pull down | |
| SAI1_RXD4 | Input | BOOT_CFG[4] | Input with 95 K pull down | Input with 95 K pull down | |
| SAI1_RXD5 | Input | BOOT_CFG[5] | Input with 95 K pull down | Input with 95 K pull down | |
| SAI1_RXD6 | Input | BOOT_CFG[6] | Input with 95 K pull down | Input with 95 K pull down | |
| SAI1_RXD7 | Input | BOOT_CFG[7] | Input with 95 K pull down | Input with 95 K pull down | |
| SAI1_TXD0 | Input | BOOT_CFG[8] | Input with 95 K pull down | Input with 95 K pull down | |
| SAI1_TXD1 | Input | BOOT_CFG[9] | Input with 95 K pull down | Input with 95 K pull down | |
| SAI1_TXD2 | Input | BOOT_CFG[10] | Input with 95 K pull down | Input with 95 K pull down | |
| SAI1_TXD3 | Input | BOOT_CFG[11] | Input with 95 K pull down | Input with 95 K pull down | |
| SAI1_TXD4 | Input | BOOT_CFG[12] | Input with 95 K pull down | Input with 95 K pull down | |
| SAI1_TXD5 | Input | BOOT_CFG[13] | Input with 95 K pull down | Input with 95 K pull down | |
| SAI1_TXD6 | Input | BOOT_CFG[14] | Input with 95 K pull down | Input with 95 K pull down | |
| SAI1_TXD7 | Input | BOOT_CFG[15] | Input with 95 K pull down | Input with 95 K pull down | |

4.2 Boot device interface allocation

Table 81 lists the interfaces that can be used by the boot process in accordance with the specific Boot mode configuration. The table also describes the interface’s specific modes and IOMUXC allocation, which are configured during boot when appropriate.

Table 81. Interface allocation during boot

| Interface | IP Instance | Allocated Pads During Boot | Comment |
|------------|-------------|---|-------------------------------|
| NAND Flash | GPMI | NAND_ALE, NAND_CE0_B, NAND_CLE, NAND_DATA00, NAND_DATA01, NAND_DATA02, NAND_DATA03, NAND_DATA04, NAND_DATA05, NAND_DATA06, NAND_DATA07, NAND_DQS, NAND_RE_B, NAND_READY_B, NAND_WE_B, NAND_WP_B | 8-bit, only CS0 is supported. |
| SD/MMC | USDHC-1 | GPIO1_IO03, GPIO1_IO06, GPIO1_IO07, SD1_RESET_B, SD1_CLK, SD1_CMD, SD1_STROBE, SD1_DATA0, SD1_DATA1, SD1_DATA2, SD1_DATA3, SD1_DATA4, SD1_DATA5, SD1_DATA6, SD1_DATA7 | 1, 4, or 8-bit |
| SD/MMC | USDHC-2 | GPIO1_IO04, GPIO1_IO08, GPIO1_IO07, SD2_RESET_B, SD2_CD_B, SD2_WP, SD2_CLK, SD2_CMD, SD2_DATA0, SD2_DATA1, SD2_DATA2, SD2_DATA3 | 1 or 4-bit |
| USB | USB_OTG PHY | — | — |

5 Package information and contact assignments

This section includes the contact assignment information and mechanical package drawing.

5.1 17 x 17 mm package information

5.1.1 17 x 17 mm, 0.65 mm pitch, ball matrix

[Figure 44](#) shows the top, bottom, and side views of the 17 × 17 mm BGA package.

Package information and contact assignments

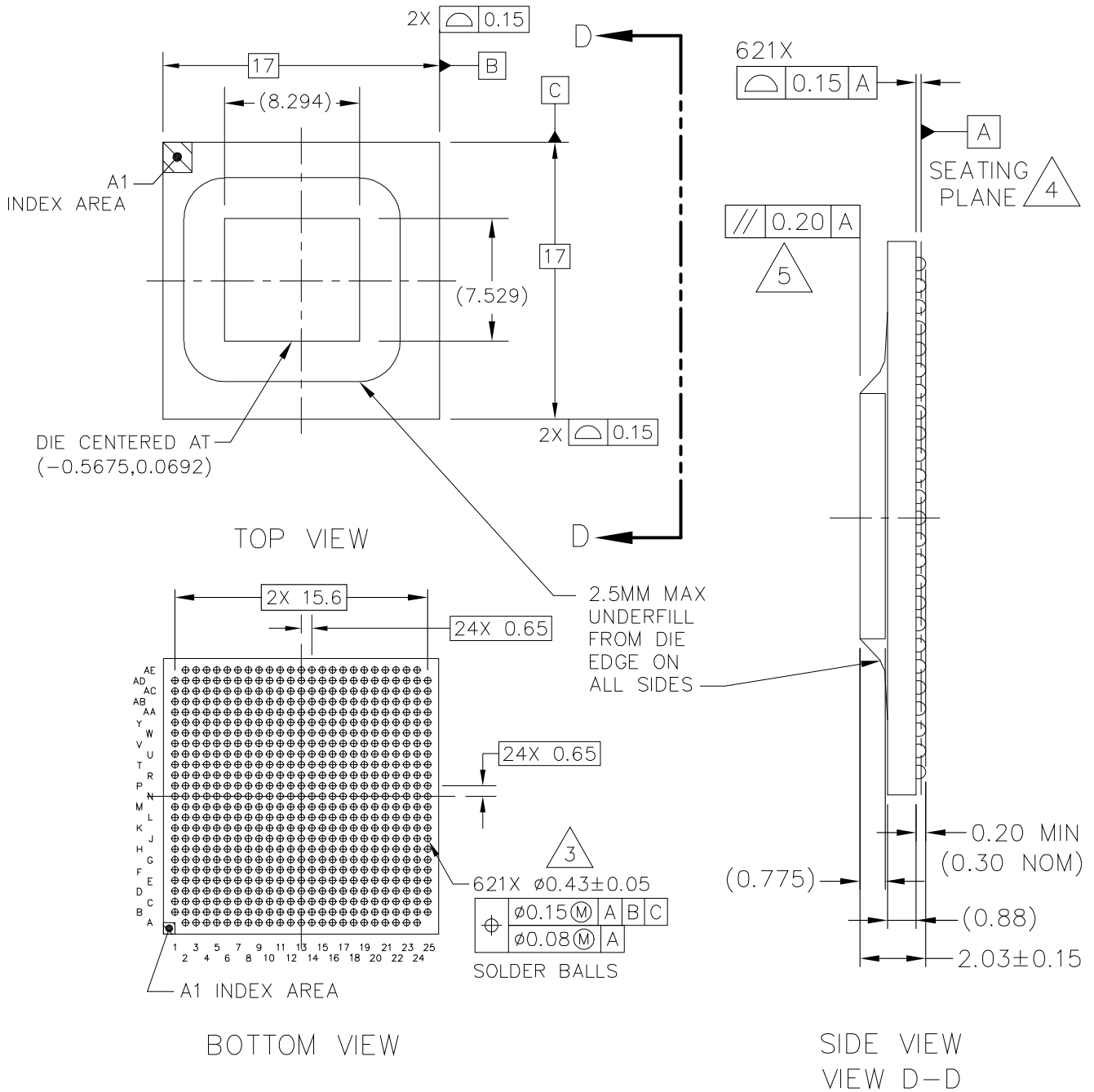


Figure 44. 17 x 17 mm BGA, package top, bottom, and side Views

5.1.2 17 x 17 mm supplies contact assignments and functional contact assignments

Table 82 shows supplies contact assignments for the 17 x 17 mm package.

Table 82. i.MX 8M Dual / 8M QuadLite / 8M Quad 17 x 17 mm supplies contact assignments

| Supply Rail Name | Ball(s) Postion(s) | Remark |
|------------------|--|------------------------------|
| EFUSE_VQPS | R17 | Supply for eFuse Programming |
| HDMI_AVDDCLK | V3 | Supply for HDMI PHY |
| HDMI_AVDDCORE | U3, U4 | Supply for HDMI PHY |
| HDMI_AVDDIO | P2 | Supply for HDMI PHY |
| MIPI_VDD | E15, F15 | Supply for MIPI PHY |
| MIPI_VDDA | E17, E18, F17, F18 | Supply for MIPI PHY |
| MIPI_VDDHA | C18, D17, D18 | Supply for MIPI PHY |
| MIPI_VDDPLL | F19 | Supply for MIPI PHY |
| NVCC_DARAM | Y12, Y14, AA10, AA15, AB3, AB8, AB17, AB23, AC3, AC6, AC8, AC14, AC17, AC20, AC23, AD5, AD18, AD21 | Supply for DRAM Interface |
| NVCC_ECSPi | F5 | Supply for ESCPI Interface |
| NVCC_ENET | T18 | Supply for ENET Interface |
| NVCC_GPIO1 | R5, R6 | Supply for GPIO1 Interface |
| NVCC_I2C | H7 | Supply for I2C Interface |
| NVCC_JTAG | W4 | Supply for JTAG Interface |
| NVCC_NAND | L18, M18 | Supply for NAND Interface |
| NVCC_SAI1 | K3, L3 | Supply for SAI Interface |
| NVCC_SAI2 | J7 | Supply for SAI Interface |
| NVCC_SAI3 | E3 | Supply for SAI Interface |
| NVCC_SAI5 | M3 | Supply for SAI Interface |
| NVCC_SD1 | L23, M23 | Supply for SD Interface |
| NVCC_SD2 | N23 | Supply for SD Interface |
| NVCC_SNVs | W18 | Supply for SNVS Interface |
| NVCC_UART | D8 | Supply for UART Interface |
| PCIE_VP | F22, G22 | Supply for PCIe PHY |
| PCIE_VPH | H23, J23 | Supply for PCIe PHY |
| PCIE_VPTX | F23, G23 | Supply for PCIe PHY |
| USB1_DVDD | E12 | Supply for USB PHY |
| USB1_VDD33 | G12 | Supply for USB PHY |
| USB1_VP | D12 | Supply for USB PHY |

Table 82. i.MX 8M Dual / 8M QuadLite / 8M Quad 17 x 17 mm supplies contact assignments (continued)

| | | |
|----------------------|--|-------------------------------|
| USB1_VPH | F12 | Supply for USB PHY |
| USB1_VPTX | C12 | Supply for USB PHY |
| USB2_DVDD | E11 | Supply for USB PHY |
| USB2_VDD33 | G11 | Supply for USB PHY |
| USB2_VP | D11 | Supply for USB PHY |
| USB2_VPH | F11 | Supply for USB PHY |
| USB2_VPTX | C11 | Supply for USB PHY |
| VDD_ARM | G14, G15, G16, H14, H15, H16, J15, J16, K15, K16, L15, L16, M15, M16 | Supply for Arm Core |
| VDD_DRAM | U10, U11, U12, U13, U14, V9, V10, V11, V12, V13, V14, V15, Y6, Y8, Y10, Y16, Y18, Y20 | Supply for DRAM Module |
| VDD_GPU | J9, J10, K9, K10, L9, L10, M9, M10 | Supply for GPU |
| VDD_SNVS | R18 | Supply for SNVS Logic |
| VDD_SOC | K12, L12, L13, M12, M13, N13, P12, P13, P15, P16, R8, R9, R10, R11, R12, R13, R14, R15, R16, T8, T17 | Supply for SOC Logic |
| VDD_VPU | N8, N9, N10, P9, P10 | Supply for VPU |
| VDDA_0P9 | V18 | Supply for SOC Logic |
| VDDA_1P8_FPLL | U17 | Supply for Frac PLL |
| VDDA_1P8_FPLL_ARM | K14 | Supply for Arm PLL |
| VDDA_1P8_LVDS | U23 | Supply for LVDS Interface |
| VDDA_1P8_SPLL | W17 | Supply for SSCG PLL |
| VDDA_1P8_SPLL_DRAM | T15 | Supply for DRAM PLL |
| VDDA_1P8_SPLL_VIDEO2 | N11 | Supply for VIDEO PLL2 |
| VDDA_1P8_TSENSOR | T16 | Supply for temperature sensor |
| VDDA_1P8_XTAL_25M | W24 | Supply for XTAL |
| VDDA_1P8_XTAL_27M | W23 | Supply for XTAL |
| VDDA_DRAM | AA11 | Supply for DRAM Module |

Table 82. i.MX 8M Dual / 8M QuadLite / 8M Quad 17 x 17 mm supplies contact assignments (continued)

| | | |
|------------------|---|-------------------------------------|
| VSS | A2, A24, B1, B25, C8, C10, C13, C15, C24, D10, D13, D15, D23, E4, E10, E13, E14, E16, E19, E20, E21, E22, E23, F10, F13, F14, F16, F20, G9, G10, G13, G17, G18, G24, H8, H9, H10, H11, H12, H13, H17, H18, J3, J8, J11, J12, J13, J14, J17, J18, J19, K8, K11, K17, K18, K23, L8, L11, L14, L17, M8, M11, M14, M17, N3, N14, N15, N16, N17, N18, P6, P8, P11, P14, P17, P18, P23, R7, T3, T4, T9, T10, T11, T12, T13, U8, U9, U15, U18, V4, V8, V16, W1, W7, W8, W9, W10, W11, W12, W13, W14, W15, W16, W25, Y2, Y3, Y4, Y5, Y7, Y9, Y11, Y13, Y15, Y17, Y19, Y21, Y22, Y23, Y24, AA5, AA16, AA21, AB2, AB9, AB11, AB18, AB24, AC4, AC19, AC22, AD1, AD7, AD9, AD11, AD13, AD16, AD25, AE2, AE5, AE21, AE24 | — |
| VSSA_FPLL | U16 | Return path of VDDA_IP8_FPLL |
| VSSA_FPLL_ARM | K13 | Return path of VDDA_IP8_FPLL_ARM |
| VSSA_SPLL | V17 | Return path of VDDA_IP8_SPLL |
| VSSA_SPLL_DRAM | T14 | Return path of VDDA_IP8_SPLL_DRAM |
| VSSA_SPLL_VIDEO2 | N12 | Return path of VDDA_IP8_SPLL_VIDEO2 |
| VSSA_XTAL_25M | V23 | Return path of VDDA_IP8_XTAL_25M |
| VSSA_XTAL_27M | W22 | Return path of VDDA_IP8_XTAL_27M |

Table 83 shows an alpha-sorted list of functional contact assignments for the 17 x 17 mm package.

Table 83. i.MX 8M Dual / 8M QuadLite / 8M Quad 17 x 17 mm functional contact assignments

| Ball name | Ball | Power group | Ball type ¹ | Reset condition ² | | | |
|------------|------|-------------|------------------------|------------------------------|--------------------------------|--------------|-----------|
| | | | | Default mode (Reset mode) | Default function (Signal name) | Input/Output | Value |
| BOOT_MODE0 | W6 | NVCC_JTAG | GPIO | ALT0 | ccmsrcgpcmix.BOOT_MO DE[0] | Input | PD (90 K) |
| BOOT_MODE1 | V6 | NVCC_JTAG | GPIO | ALT0 | ccmsrcgpcmix.BOOT_MO DE[1] | Input | PD (90 K) |
| CLK1_P | R23 | VDDA | LVDS | — | — | — | — |
| CLK1_N | T23 | VDDA | LVDS | — | — | — | — |
| CLK2_P | T22 | VDDA | LVDS | — | — | — | — |
| CLK2_N | U22 | VDDA | LVDS | — | — | — | — |
| DRAM_AC00 | AC16 | NVCC_DRAM | DDR | — | — | — | — |
| DRAM_AC01 | AE17 | NVCC_DRAM | DDR | — | — | — | — |

Table 83. i.MX 8M Dual / 8M QuadLite / 8M Quad 17 x 17 mm functional contact assignments (continued)

| Ball name | Ball | Power group | Ball type ¹ | Reset condition ² | | | |
|-----------|------|-------------|------------------------|------------------------------|--------------------------------|--------------|-------|
| | | | | Default mode (Reset mode) | Default function (Signal name) | Input/Output | Value |
| DRAM_AC02 | AE18 | NVCC_DRAM | DDR | — | — | — | — |
| DRAM_AC03 | AC18 | NVCC_DRAM | DDR | — | — | — | — |
| DRAM_AC04 | AD14 | NVCC_DRAM | DDR | — | — | — | — |
| DRAM_AC05 | AE14 | NVCC_DRAM | DDR | — | — | — | — |
| DRAM_AC06 | AE13 | NVCC_DRAM | DDR | — | — | — | — |
| DRAM_AC07 | AB15 | NVCC_DRAM | DDR | — | — | — | — |
| DRAM_AC08 | AD17 | NVCC_DRAM | DDR | — | — | — | — |
| DRAM_AC09 | AE16 | NVCC_DRAM | DDR | — | — | — | — |
| DRAM_AC10 | AD20 | NVCC_DRAM | DDR | — | — | — | — |
| DRAM_AC11 | AE20 | NVCC_DRAM | DDR | — | — | — | — |
| DRAM_AC12 | AD19 | NVCC_DRAM | DDR | — | — | — | — |
| DRAM_AC13 | AE19 | NVCC_DRAM | DDR | — | — | — | — |
| DRAM_AC14 | AB16 | NVCC_DRAM | DDR | — | — | — | — |
| DRAM_AC15 | AC15 | NVCC_DRAM | DDR | — | — | — | — |
| DRAM_AC16 | AE15 | NVCC_DRAM | DDR | — | — | — | — |
| DRAM_AC17 | AD15 | NVCC_DRAM | DDR | — | — | — | — |
| DRAM_AC19 | AB14 | NVCC_DRAM | DDR | — | — | — | — |
| DRAM_AC20 | AD10 | NVCC_DRAM | DDR | — | — | — | — |
| DRAM_AC21 | AE10 | NVCC_DRAM | DDR | — | — | — | — |
| DRAM_AC22 | AD8 | NVCC_DRAM | DDR | — | — | — | — |
| DRAM_AC23 | AC9 | NVCC_DRAM | DDR | — | — | — | — |
| DRAM_AC24 | AD12 | NVCC_DRAM | DDR | — | — | — | — |
| DRAM_AC25 | AE12 | NVCC_DRAM | DDR | — | — | — | — |
| DRAM_AC26 | AB12 | NVCC_DRAM | DDR | — | — | — | — |
| DRAM_AC27 | AA12 | NVCC_DRAM | DDR | — | — | — | — |
| DRAM_AC28 | AC7 | NVCC_DRAM | DDR | — | — | — | — |
| DRAM_AC29 | AE7 | NVCC_DRAM | DDR | — | — | — | — |
| DRAM_AC30 | AE6 | NVCC_DRAM | DDR | — | — | — | — |
| DRAM_AC31 | AD6 | NVCC_DRAM | DDR | — | — | — | — |
| DRAM_AC32 | AE8 | NVCC_DRAM | DDR | — | — | — | — |

Table 83. i.MX 8M Dual / 8M QuadLite / 8M Quad 17 x 17 mm functional contact assignments (continued)

| Ball name | Ball | Power group | Ball type ¹ | Reset condition ² | | | |
|--------------|------|-------------|------------------------|------------------------------|--------------------------------|--------------|-------|
| | | | | Default mode (Reset mode) | Default function (Signal name) | Input/Output | Value |
| DRAM_AC33 | AE9 | NVCC_DRAM | DDR | — | — | — | — |
| DRAM_AC34 | AC10 | NVCC_DRAM | DDR | — | — | — | — |
| DRAM_AC35 | AB10 | NVCC_DRAM | DDR | — | — | — | — |
| DRAM_AC36 | AC12 | NVCC_DRAM | DDR | — | — | — | — |
| DRAM_AC37 | AE11 | NVCC_DRAM | DDR | — | — | — | — |
| DRAM_AC38 | AC11 | NVCC_DRAM | DDR | — | — | — | — |
| DRAM_ALERT_N | AC13 | NVCC_DRAM | DDR | — | — | — | — |
| DRAM_DM0 | AD23 | NVCC_DRAM | DDR | — | — | — | — |
| DRAM_DM1 | AB20 | NVCC_DRAM | DDR | — | — | — | — |
| DRAM_DM2 | AD3 | NVCC_DRAM | DDR | — | — | — | — |
| DRAM_DM3 | AB6 | NVCC_DRAM | DDR | — | — | — | — |
| DRAM_DQ00 | AE23 | NVCC_DRAM | DDR | — | — | — | — |
| DRAM_DQ01 | AD24 | NVCC_DRAM | DDR | — | — | — | — |
| DRAM_DQ02 | AE22 | NVCC_DRAM | DDR | — | — | — | — |
| DRAM_DQ03 | AD22 | NVCC_DRAM | DDR | — | — | — | — |
| DRAM_DQ04 | AA24 | NVCC_DRAM | DDR | — | — | — | — |
| DRAM_DQ05 | Y25 | NVCC_DRAM | DDR | — | — | — | — |
| DRAM_DQ06 | AA25 | NVCC_DRAM | DDR | — | — | — | — |
| DRAM_DQ07 | AB25 | NVCC_DRAM | DDR | — | — | — | — |
| DRAM_DQ08 | AB22 | NVCC_DRAM | DDR | — | — | — | — |
| DRAM_DQ09 | AA22 | NVCC_DRAM | DDR | — | — | — | — |
| DRAM_DQ10 | AA23 | NVCC_DRAM | DDR | — | — | — | — |
| DRAM_DQ11 | AA20 | NVCC_DRAM | DDR | — | — | — | — |
| DRAM_DQ12 | AA18 | NVCC_DRAM | DDR | — | — | — | — |
| DRAM_DQ13 | AB19 | NVCC_DRAM | DDR | — | — | — | — |
| DRAM_DQ14 | AA19 | NVCC_DRAM | DDR | — | — | — | — |
| DRAM_DQ15 | AA17 | NVCC_DRAM | DDR | — | — | — | — |
| DRAM_DQ16 | AE3 | NVCC_DRAM | DDR | — | — | — | — |
| DRAM_DQ17 | AD2 | NVCC_DRAM | DDR | — | — | — | — |
| DRAM_DQ18 | AE4 | NVCC_DRAM | DDR | — | — | — | — |

Table 83. i.MX 8M Dual / 8M QuadLite / 8M Quad 17 x 17 mm functional contact assignments (continued)

| Ball name | Ball | Power group | Ball type ¹ | Reset condition ² | | | |
|--------------|------|-------------|------------------------|------------------------------|--------------------------------|--------------|-----------|
| | | | | Default mode (Reset mode) | Default function (Signal name) | Input/Output | Value |
| DRAM_DQ19 | AD4 | NVCC_DRAM | DDR | — | — | — | — |
| DRAM_DQ20 | AA2 | NVCC_DRAM | DDR | — | — | — | — |
| DRAM_DQ21 | Y1 | NVCC_DRAM | DDR | — | — | — | — |
| DRAM_DQ22 | AA1 | NVCC_DRAM | DDR | — | — | — | — |
| DRAM_DQ23 | AB1 | NVCC_DRAM | DDR | — | — | — | — |
| DRAM_DQ24 | AB4 | NVCC_DRAM | DDR | — | — | — | — |
| DRAM_DQ25 | AA4 | NVCC_DRAM | DDR | — | — | — | — |
| DRAM_DQ26 | AA3 | NVCC_DRAM | DDR | — | — | — | — |
| DRAM_DQ27 | AA6 | NVCC_DRAM | DDR | — | — | — | — |
| DRAM_DQ28 | AA8 | NVCC_DRAM | DDR | — | — | — | — |
| DRAM_DQ29 | AB7 | NVCC_DRAM | DDR | — | — | — | — |
| DRAM_DQ30 | AA7 | NVCC_DRAM | DDR | — | — | — | — |
| DRAM_DQ31 | AA9 | NVCC_DRAM | DDR | — | — | — | — |
| DRAM_DQS0_N | AC25 | NVCC_DRAM | DDRCLK | — | — | — | — |
| DRAM_DQS0_P | AC24 | NVCC_DRAM | DDRCLK | — | — | — | — |
| DRAM_DQS1_N | AC21 | NVCC_DRAM | DDRCLK | — | — | — | — |
| DRAM_DQS1_P | AB21 | NVCC_DRAM | DDRCLK | — | — | — | — |
| DRAM_DQS2_N | AC1 | NVCC_DRAM | DDRCLK | — | — | — | — |
| DRAM_DQS2_P | AC2 | NVCC_DRAM | DDRCLK | — | — | — | — |
| DRAM_DQS3_N | AC5 | NVCC_DRAM | DDRCLK | — | — | — | — |
| DRAM_DQS3_P | AB5 | NVCC_DRAM | DDRCLK | — | — | — | — |
| DRAM_RESET_N | AB13 | NVCC_DRAM | DDR | — | — | — | — |
| DRAM_VREF | AA14 | NVCC_DRAM | DDR | — | — | — | — |
| DRAM_ZN | AA13 | NVCC_DRAM | DDR | — | — | — | — |
| ECSPI1_MISO | B4 | NVCC_ECSPi | GPIO | ALT5 | GPIO5.IO[8] | Input | PD (90 K) |
| ECSPI1_MOSI | A4 | NVCC_ECSPi | GPIO | ALT5 | GPIO5.IO[7] | Input | PD (90 K) |
| ECSPI1_SCLK | D5 | NVCC_ECSPi | GPIO | ALT5 | GPIO5.IO[6] | Input | PD (90 K) |
| ECSPI1_SS0 | D4 | NVCC_ECSPi | GPIO | ALT5 | GPIO5.IO[9] | Input | PD (90 K) |
| ECSPI2_MISO | B5 | NVCC_ECSPi | GPIO | ALT5 | GPIO5.IO[12] | Input | PD (90 K) |
| ECSPI2_MOSI | E5 | NVCC_ECSPi | GPIO | ALT5 | GPIO5.IO[11] | Input | PD (90 K) |

Table 83. i.MX 8M Dual / 8M QuadLite / 8M Quad 17 x 17 mm functional contact assignments (continued)

| Ball name | Ball | Power group | Ball type ¹ | Reset condition ² | | | |
|-------------------------|------|-------------|------------------------|------------------------------|--------------------------------|--------------|-----------|
| | | | | Default mode (Reset mode) | Default function (Signal name) | Input/Output | Value |
| ECSPI2_SCLK | C5 | NVCC_ECSPi | GPIO | ALT5 | GPIO5.IO[10] | Input | PD (90 K) |
| ECSPI2_SS0 | A5 | NVCC_ECSPi | GPIO | ALT5 | GPIO5.IO[13] | Input | PD (90 K) |
| ENET_MDC | N20 | NVCC_ENET | GPIO | ALT5 | GPIO1.IO[16] | Input | PD (90 K) |
| ENET_MDIO | N19 | NVCC_ENET | GPIO | ALT5 | GPIO1.IO[17] | Input | PD (90 K) |
| ENET_RD0 | U19 | NVCC_ENET | GPIO | ALT5 | GPIO1.IO[26] | Input | PD (90 K) |
| ENET_RD1 | U21 | NVCC_ENET | GPIO | ALT5 | GPIO1.IO[27] | Input | PD (90 K) |
| ENET_RD2 | U20 | NVCC_ENET | GPIO | ALT5 | GPIO1.IO[28] | Input | PD (90 K) |
| ENET_RD3 | V19 | NVCC_ENET | GPIO | ALT5 | GPIO1.IO[29] | Input | PD (90 K) |
| ENET_RXC | T20 | NVCC_ENET | GPIO | ALT5 | GPIO1.IO[25] | Input | PD (90 K) |
| ENET_RX_CTL | T21 | NVCC_ENET | GPIO | ALT5 | GPIO1.IO[24] | Input | PD (90 K) |
| ENET_TD0 | R20 | NVCC_ENET | GPIO | ALT5 | GPIO1.IO[21] | Input | PD (90 K) |
| ENET_TD1 | R21 | NVCC_ENET | GPIO | ALT5 | GPIO1.IO[20] | Input | PD (90 K) |
| ENET_TD2 | R19 | NVCC_ENET | GPIO | ALT5 | GPIO1.IO[19] | Input | PD (90 K) |
| ENET_TD3 | P20 | NVCC_ENET | GPIO | ALT5 | GPIO1.IO[18] | Input | PD (90 K) |
| ENET_TXC | T19 | NVCC_ENET | GPIO | ALT5 | GPIO1.IO[23] | Input | PD (90 K) |
| ENET_TX_CTL | P19 | NVCC_ENET | GPIO | ALT5 | GPIO1.IO[22] | Input | PD (90 K) |
| GPIO1_IO00 | T6 | NVCC_GPIO1 | GPIO | ALT0 | GPIO1.IO[0] | Input | PD (90 K) |
| GPIO1_IO01 ³ | T7 | NVCC_GPIO1 | GPIO | ALT0 | GPIO1.IO[1] | Input | PD (90 K) |
| GPIO1_IO02 | R4 | NVCC_GPIO1 | GPIO | ALT0 | GPIO1.IO[2] | Input | PD (27 K) |
| GPIO1_IO03 | P4 | NVCC_GPIO1 | GPIO | ALT0 | GPIO1.IO[3] | Input | PD (90 K) |
| GPIO1_IO04 | P5 | NVCC_GPIO1 | GPIO | ALT0 | GPIO1.IO[4] | Input | PD (90 K) |
| GPIO1_IO05 ⁴ | P7 | NVCC_GPIO1 | GPIO | ALT0 | GPIO1.IO[5] | Input | PU (27 K) |
| GPIO1_IO06 | N5 | NVCC_GPIO1 | GPIO | ALT0 | GPIO1.IO[6] | Input | PD (90 K) |
| GPIO1_IO07 | N6 | NVCC_GPIO1 | GPIO | ALT0 | GPIO1.IO[7] | Input | PD (90 K) |
| GPIO1_IO08 | N7 | NVCC_GPIO1 | GPIO | ALT0 | GPIO1.IO[8] | Input | PD (90 K) |
| GPIO1_IO09 | M6 | NVCC_GPIO1 | GPIO | ALT0 | GPIO1.IO[9] | Input | PD (90 K) |
| GPIO1_IO10 | M7 | NVCC_GPIO1 | GPIO | ALT0 | GPIO1.IO[10] | Input | PD (90 K) |
| GPIO1_IO11 | L6 | NVCC_GPIO1 | GPIO | ALT0 | GPIO1.IO[11] | Input | PD (90 K) |
| GPIO1_IO12 | L7 | NVCC_GPIO1 | GPIO | ALT0 | GPIO1.IO[12] | Input | PD (90 K) |
| GPIO1_IO13 | K6 | NVCC_GPIO1 | GPIO | ALT0 | GPIO1.IO[13] | Input | PD (90 K) |

Table 83. i.MX 8M Dual / 8M QuadLite / 8M Quad 17 x 17 mm functional contact assignments (continued)

| Ball name | Ball | Power group | Ball type ¹ | Reset condition ² | | | |
|----------------|------|-------------|------------------------|------------------------------|--------------------------------|--------------|-----------|
| | | | | Default mode (Reset mode) | Default function (Signal name) | Input/Output | Value |
| GPIO1_IO14 | K7 | NVCC_GPIO1 | GPIO | ALT0 | GPIO1.IO[14] | Input | PD (90 K) |
| GPIO1_IO15 | J6 | NVCC_GPIO1 | GPIO | ALT0 | GPIO1.IO[15] | Input | PD (90 K) |
| HDMI_AUX_N | V2 | HDMI_AVDDIO | PHY | — | — | — | — |
| HDMI_AUX_P | V1 | HDMI_AVDDIO | PHY | — | — | — | — |
| HDMI_CEC | W3 | HDMI_AVDDIO | PHY | — | — | — | — |
| HDMI_DDC_SCL | R3 | HDMI_AVDDIO | PHY | — | — | — | — |
| HDMI_DDC_SDA | P3 | HDMI_AVDDIO | PHY | — | — | — | — |
| HDMI_HPD | W2 | HDMI_AVDDIO | PHY | — | — | — | — |
| HDMI_REFCLK_N | R1 | HDMI_AVDDIO | PHY | — | — | — | — |
| HDMI_REFCLK_P | R2 | HDMI_AVDDIO | PHY | — | — | — | — |
| HDMI_REXT | P1 | HDMI_AVDDIO | PHY | — | — | — | — |
| HDMI_TX_N_LN_0 | T2 | HDMI_AVDDIO | PHY | — | — | — | — |
| HDMI_TX_N_LN_1 | U1 | HDMI_AVDDIO | PHY | — | — | — | — |
| HDMI_TX_N_LN_2 | N1 | HDMI_AVDDIO | PHY | — | — | — | — |
| HDMI_TX_N_LN_3 | M2 | HDMI_AVDDIO | PHY | — | — | — | — |
| HDMI_TX_P_LN_0 | T1 | HDMI_AVDDIO | PHY | — | — | — | — |
| HDMI_TX_P_LN_1 | U2 | HDMI_AVDDIO | PHY | — | — | — | — |
| HDMI_TX_P_LN_2 | N2 | HDMI_AVDDIO | PHY | — | — | — | — |
| HDMI_TX_P_LN_3 | M1 | HDMI_AVDDIO | PHY | — | — | — | — |
| I2C1_SCL | E7 | NVCC_I2C | GPIO | ALT5 | GPIO5.IO[14] | Input | PD (90 K) |
| I2C1_SDA | E8 | NVCC_I2C | GPIO | ALT5 | GPIO5.IO[15] | Input | PD (90 K) |
| I2C2_SCL | G7 | NVCC_I2C | GPIO | ALT5 | GPIO5.IO[16] | Input | PD (90 K) |
| I2C2_SDA | F7 | NVCC_I2C | GPIO | ALT5 | GPIO5.IO[17] | Input | PD (90 K) |
| I2C3_SCL | G8 | NVCC_I2C | GPIO | ALT5 | GPIO5.IO[18] | Input | PD (90 K) |
| I2C3_SDA | E9 | NVCC_I2C | GPIO | ALT5 | GPIO5.IO[19] | Input | PD (90 K) |
| I2C4_SCL | F8 | NVCC_I2C | GPIO | ALT5 | GPIO5.IO[20] | Input | PD (90 K) |
| I2C4_SDA | F9 | NVCC_I2C | GPIO | ALT5 | GPIO5.IO[21] | Input | PD (90 K) |
| JTAG_MOD | U7 | NVCC_JTAG | GPIO | ALT0 | cjtag_wrapper.MOD | Input | PD (90 K) |
| JTAG_TCK | T5 | NVCC_JTAG | GPIO | ALT0 | cjtag_wrapper.TCK | Input | PU 27 K) |
| JTAG_TDI | W5 | NVCC_JTAG | GPIO | ALT0 | cjtag_wrapper.TDI | Input | PU (27 K) |

Table 83. i.MX 8M Dual / 8M QuadLite / 8M Quad 17 x 17 mm functional contact assignments (continued)

| Ball name | Ball | Power group | Ball type ¹ | Reset condition ² | | | |
|-----------------|------|-------------|------------------------|------------------------------|--------------------------------|--------------|-----------|
| | | | | Default mode (Reset mode) | Default function (Signal name) | Input/Output | Value |
| JTAG_TDO | U5 | NVCC_JTAG | GPIO | ALT0 | cjtag_wrapper.TDO | Input | PU (27 K) |
| JTAG_TMS | V5 | NVCC_JTAG | GPIO | ALT0 | cjtag_wrapper.TMS | Input | PU (27 K) |
| JTAG_TRST_B | U6 | NVCC_JTAG | GPIO | ALT0 | cjtag_wrapper.TRST_B | Input | PU (27 K) |
| MIPI_CSI1_CLK_N | A22 | MIPI_VDDHA | PHY | — | — | — | — |
| MIPI_CSI1_CLK_P | B22 | MIPI_VDDHA | PHY | — | — | — | — |
| MIPI_CSI1_D0_N | A23 | MIPI_VDDHA | PHY | — | — | — | — |
| MIPI_CSI1_D0_P | B23 | MIPI_VDDHA | PHY | — | — | — | — |
| MIPI_CSI1_D1_N | C22 | MIPI_VDDHA | PHY | — | — | — | — |
| MIPI_CSI1_D1_P | D22 | MIPI_VDDHA | PHY | — | — | — | — |
| MIPI_CSI1_D2_N | B24 | MIPI_VDDHA | PHY | — | — | — | — |
| MIPI_CSI1_D2_P | C23 | MIPI_VDDHA | PHY | — | — | — | — |
| MIPI_CSI1_D3_N | C21 | MIPI_VDDHA | PHY | — | — | — | — |
| MIPI_CSI1_D3_P | D21 | MIPI_VDDHA | PHY | — | — | — | — |
| MIPI_CSI2_CLK_N | A19 | MIPI_VDDHA | PHY | — | — | — | — |
| MIPI_CSI2_CLK_P | B19 | MIPI_VDDHA | PHY | — | — | — | — |
| MIPI_CSI2_D0_N | C20 | MIPI_VDDHA | PHY | — | — | — | — |
| MIPI_CSI2_D0_P | D20 | MIPI_VDDHA | PHY | — | — | — | — |
| MIPI_CSI2_D1_N | A20 | MIPI_VDDHA | PHY | — | — | — | — |
| MIPI_CSI2_D1_P | B20 | MIPI_VDDHA | PHY | — | — | — | — |
| MIPI_CSI2_D2_N | A21 | MIPI_VDDHA | PHY | — | — | — | — |
| MIPI_CSI2_D2_P | B21 | MIPI_VDDHA | PHY | — | — | — | — |
| MIPI_CSI2_D3_N | C19 | MIPI_VDDHA | PHY | — | — | — | — |
| MIPI_CSI2_D3_P | D19 | MIPI_VDDHA | PHY | — | — | — | — |
| MIPI_DSI_CLK_N | C16 | MIPI_VDDHA | PHY | — | — | — | — |
| MIPI_DSI_CLK_P | D16 | MIPI_VDDHA | PHY | — | — | — | — |
| MIPI_DSI_D0_N | A17 | MIPI_VDDHA | PHY | — | — | — | — |
| MIPI_DSI_D0_P | B17 | MIPI_VDDHA | PHY | — | — | — | — |
| MIPI_DSI_D1_N | A16 | MIPI_VDDHA | PHY | — | — | — | — |
| MIPI_DSI_D1_P | B16 | MIPI_VDDHA | PHY | — | — | — | — |
| MIPI_DSI_D2_N | A18 | MIPI_VDDHA | PHY | — | — | — | — |

Table 83. i.MX 8M Dual / 8M QuadLite / 8M Quad 17 x 17 mm functional contact assignments (continued)

| Ball name | Ball | Power group | Ball type ¹ | Reset condition ² | | | |
|-------------------------|------|-------------|------------------------|------------------------------|--------------------------------|--------------|-----------|
| | | | | Default mode (Reset mode) | Default function (Signal name) | Input/Output | Value |
| MIPI_DSI_D2_P | B18 | MIPI_VDDHA | PHY | — | — | — | — |
| MIPI_DSI_D3_N | A15 | MIPI_VDDHA | PHY | — | — | — | — |
| MIPI_DSI_D3_P | B15 | MIPI_VDDHA | PHY | — | — | — | — |
| MIPI_DSI_REXT | C17 | MIPI_VDDHA | PHY | — | — | — | — |
| NAND_ALE | G19 | NVCC_NAND | GPIO | ALT5 | GPIO3.IO[0] | Input | PD (90 K) |
| NAND_CE0_B | H19 | NVCC_NAND | GPIO | ALT5 | GPIO3.IO[1] | Input | PD (90 K) |
| NAND_CE1_B | G21 | NVCC_NAND | GPIO | ALT5 | GPIO3.IO[2] | Input | PD (90 K) |
| NAND_CE2_B | F21 | NVCC_NAND | GPIO | ALT5 | GPIO3.IO[3] | Input | PD (90 K) |
| NAND_CE3_B | H20 | NVCC_NAND | GPIO | ALT5 | GPIO3.IO[4] | Input | PD (90 K) |
| NAND_CLE | H21 | NVCC_NAND | GPIO | ALT5 | GPIO3.IO[5] | Input | PD (90 K) |
| NAND_DATA00 | G20 | NVCC_NAND | GPIO | ALT5 | GPIO3.IO[6] | Input | PD (90 K) |
| NAND_DATA01 | J20 | NVCC_NAND | GPIO | ALT5 | GPIO3.IO[7] | Input | PD (90 K) |
| NAND_DATA02 | H22 | NVCC_NAND | GPIO | ALT5 | GPIO3.IO[8] | Input | PD (90 K) |
| NAND_DATA03 | J21 | NVCC_NAND | GPIO | ALT5 | GPIO3.IO[9] | Input | PD (90 K) |
| NAND_DATA04 | L20 | NVCC_NAND | GPIO | ALT5 | GPIO3.IO[10] | Input | PD (90 K) |
| NAND_DATA05 | J22 | NVCC_NAND | GPIO | ALT5 | GPIO3.IO[11] | Input | PD (90 K) |
| NAND_DATA06 | L19 | NVCC_NAND | GPIO | ALT5 | GPIO3.IO[12] | Input | PD (90 K) |
| NAND_DATA07 | M19 | NVCC_NAND | GPIO | ALT5 | GPIO3.IO[13] | Input | PD (90 K) |
| NAND_DQS | M20 | NVCC_NAND | GPIO | ALT5 | GPIO3.IO[14] | Input | PD (90 K) |
| NAND_RE_B | K19 | NVCC_NAND | GPIO | ALT5 | GPIO3.IO[15] | Input | PD (90 K) |
| NAND_READY_B | K20 | NVCC_NAND | GPIO | ALT5 | GPIO3.IO[16] | Input | PD (90 K) |
| NAND_WE_B | K22 | NVCC_NAND | GPIO | ALT5 | GPIO3.IO[17] | Input | PD (90 K) |
| NAND_WP_B | K21 | NVCC_NAND | GPIO | ALT5 | GPIO3.IO[18] | Input | PD (90 K) |
| ONOFF | W21 | NVCC_SNVS | GPIO | ALT0 | snvsmix.ONOFF | Input | PU (27 K) |
| PCIE1_REF_PAD_C LK_N | K24 | PCIE_VPH | PHY | — | — | — | — |
| PCIE1_REF_PAD_C LK_P | K25 | PCIE_VPH | PHY | — | — | — | — |
| PCIE1_RESREF | G25 | PCIE_VPH | PHY | — | — | — | — |
| PCIE1_RXN_N | H24 | PCIE_VPH | PHY | — | — | — | — |

Table 83. i.MX 8M Dual / 8M QuadLite / 8M Quad 17 x 17 mm functional contact assignments (continued)

| Ball name | Ball | Power group | Ball type ¹ | Reset condition ² | | | |
|-------------------------|------|-------------|------------------------|------------------------------|--------------------------------|--------------|-------------------------|
| | | | | Default mode (Reset mode) | Default function (Signal name) | Input/Output | Value |
| PCIE1_RXN_P | H25 | PCIE_VPH | PHY | — | — | — | — |
| PCIE1_TXN_N | J24 | PCIE_VPH | PHY | — | — | — | — |
| PCIE1_TXN_P | J25 | PCIE_VPH | PHY | — | — | — | — |
| PCIE2_REF_PAD_C LK_N | F24 | PCIE_VPH | PHY | — | — | — | — |
| PCIE2_REF_PAD_C LK_P | F25 | PCIE_VPH | PHY | — | — | — | — |
| PCIE2_RESREF | C25 | PCIE_VPH | PHY | — | — | — | — |
| PCIE2_RXN_N | D24 | PCIE_VPH | PHY | — | — | — | — |
| PCIE2_RXN_P | D25 | PCIE_VPH | PHY | — | — | — | — |
| PCIE2_TXN_N | E24 | PCIE_VPH | PHY | — | — | — | — |
| PCIE2_TXN_P | E25 | PCIE_VPH | PHY | — | — | — | — |
| PMIC_ON_REQ | V20 | NVCC_SNVS | GPIO | ALT0 | snvsmix.PMIC_ON_REQ | Output | Open-Drain PU (27 K) |
| PMIC_STBY_REQ | V21 | NVCC_SNVS | GPIO | ALT0 | ccmsregpcmix.PMIC_STB Y_REQ | Output | Low |
| POR_B | W20 | NVCC_SNVS | GPIO | ALT0 | snvsmix.POR_B | Input | PU (27 K) |
| RTC | V22 | NVCC_SNVS | GPIO | ALT0 | snvsmix.RTC | Input | PD (90 K) |
| RTC_RESET_B | W19 | NVCC_SNVS | GPIO | ALT0 | snvsmix.RTC_POR_B | Input | PU (27 K) |
| SAI1_MCLK | A3 | NVCC_SAI1 | GPIO | ALT5 | GPIO4.IO[20] | Input | PD (90 K) |
| SAI1_RXC | K1 | NVCC_SAI1 | GPIO | ALT5 | GPIO4.IO[1] | Input | PD (90 K) |
| SAI1_RXD0 ⁵ | K2 | NVCC_SAI1 | GPIO | ALT5 | GPIO4.IO[2] | Input | PD (90 K) |
| SAI1_RXD1 ⁵ | L2 | NVCC_SAI1 | GPIO | ALT5 | GPIO4.IO[3] | Input | PD (90 K) |
| SAI1_RXD2 ⁵ | H2 | NVCC_SAI1 | GPIO | ALT5 | GPIO4.IO[4] | Input | PD (90 K) |
| SAI1_RXD3 ⁵ | J2 | NVCC_SAI1 | GPIO | ALT5 | GPIO4.IO[5] | Input | PD (90 K) |
| SAI1_RXD4 ⁵ | J1 | NVCC_SAI1 | GPIO | ALT5 | GPIO4.IO[6] | Input | PD (90 K) |
| SAI1_RXD5 ⁵ | F1 | NVCC_SAI1 | GPIO | ALT5 | GPIO4.IO[7] | Input | PD (90 K) |
| SAI1_RXD6 ⁵ | G2 | NVCC_SAI1 | GPIO | ALT5 | GPIO4.IO[8] | Input | PD (90 K) |
| SAI1_RXD7 ⁵ | G1 | NVCC_SAI1 | GPIO | ALT5 | GPIO4.IO[9] | Input | PD (90 K) |
| SAI1_RXFS | L1 | NVCC_SAI1 | GPIO | ALT5 | GPIO4.IO[0] | Input | PD (90 K) |
| SAI1_TXC | E1 | NVCC_SAI1 | GPIO | ALT5 | GPIO4.IO[11] | Input | PD (90 K) |

Table 83. i.MX 8M Dual / 8M QuadLite / 8M Quad 17 x 17 mm functional contact assignments (continued)

| Ball name | Ball | Power group | Ball type ¹ | Reset condition ² | | | |
|------------------------|------|-------------|------------------------|------------------------------|--------------------------------|--------------|-----------|
| | | | | Default mode (Reset mode) | Default function (Signal name) | Input/Output | Value |
| SAI1_TXD0 ⁵ | F2 | NVCC_SAI1 | GPIO | ALT5 | GPIO4.IO[12] | Input | PD (90 K) |
| SAI1_TXD1 ⁵ | E2 | NVCC_SAI1 | GPIO | ALT5 | GPIO4.IO[13] | Input | PD (90 K) |
| SAI1_TXD2 ⁵ | B2 | NVCC_SAI1 | GPIO | ALT5 | GPIO4.IO[14] | Input | PD (90 K) |
| SAI1_TXD3 ⁵ | D1 | NVCC_SAI1 | GPIO | ALT5 | GPIO4.IO[15] | Input | PD (90 K) |
| SAI1_TXD4 ⁵ | D2 | NVCC_SAI1 | GPIO | ALT5 | GPIO4.IO[16] | Input | PD (90 K) |
| SAI1_TXD5 ⁵ | C2 | NVCC_SAI1 | GPIO | ALT5 | GPIO4.IO[17] | Input | PD (90 K) |
| SAI1_TXD6 ⁵ | B3 | NVCC_SAI1 | GPIO | ALT5 | GPIO4.IO[18] | Input | PD (90 K) |
| SAI1_TXD7 ⁵ | C1 | NVCC_SAI1 | GPIO | ALT5 | GPIO4.IO[19] | Input | PD (90 K) |
| SAI1_TXFS | H1 | NVCC_SAI1 | GPIO | ALT5 | GPIO4.IO[10] | Input | PD (90 K) |
| SAI2_MCLK | H5 | NVCC_SAI2 | GPIO | ALT5 | GPIO4.IO[27] | Input | PD (90 K) |
| SAI2_RXC | H3 | NVCC_SAI2 | GPIO | ALT5 | GPIO4.IO[22] | Input | PD (90 K) |
| SAI2_RXD0 | H6 | NVCC_SAI2 | GPIO | ALT5 | GPIO4.IO[23] | Input | PD (90 K) |
| SAI2_RXFS | J4 | NVCC_SAI2 | GPIO | ALT5 | GPIO4.IO[21] | Input | PD (90 K) |
| SAI2_TXC | J5 | NVCC_SAI2 | GPIO | ALT5 | GPIO4.IO[25] | Input | PD (90 K) |
| SAI2_TXD0 | G5 | NVCC_SAI2 | GPIO | ALT5 | GPIO4.IO[26] | Input | PD (90 K) |
| SAI2_TXFS | H4 | NVCC_SAI2 | GPIO | ALT5 | GPIO4.IO[24] | Input | PD (90 K) |
| SAI3_MCLK | D3 | NVCC_SAI3 | GPIO | ALT5 | GPIO5.IO[2] | Input | PD (90 K) |
| SAI3_RXC | F4 | NVCC_SAI3 | GPIO | ALT5 | GPIO4.IO[29] | Input | PD (90 K) |
| SAI3_RXD | F3 | NVCC_SAI3 | GPIO | ALT5 | GPIO4.IO[30] | Input | PD (90 K) |
| SAI3_RXFS | G4 | NVCC_SAI3 | GPIO | ALT5 | GPIO4.IO[28] | Input | PD (90 K) |
| SAI3_TXC | C4 | NVCC_SAI3 | GPIO | ALT5 | GPIO5.IO[0] | Input | PD (90 K) |
| SAI3_TXD | C3 | NVCC_SAI3 | GPIO | ALT5 | GPIO5.IO[1] | Input | PD (90 K) |
| SAI3_TXFS | G3 | NVCC_SAI3 | GPIO | ALT5 | GPIO4.IO[31] | Input | PD (90 K) |
| SAI5_MCLK | K4 | NVCC_SAI5 | GPIO | ALT5 | GPIO3.IO[25] | Input | PD (90 K) |
| SAI5_RXC | L5 | NVCC_SAI5 | GPIO | ALT5 | GPIO3.IO[20] | Input | PD (90 K) |
| SAI5_RXD0 | M5 | NVCC_SAI5 | GPIO | ALT5 | GPIO3.IO[21] | Input | PD (90 K) |
| SAI5_RXD1 | L4 | NVCC_SAI5 | GPIO | ALT5 | GPIO3.IO[22] | Input | PD (90 K) |
| SAI5_RXD2 | M4 | NVCC_SAI5 | GPIO | ALT5 | GPIO3.IO[23] | Input | PD (90 K) |
| SAI5_RXD3 | K5 | NVCC_SAI5 | GPIO | ALT5 | GPIO3.IO[24] | Input | PD (90 K) |
| SAI5_RXFS | N4 | NVCC_SAI5 | GPIO | ALT5 | GPIO3.IO[19] | Input | PD (90 K) |

Table 83. i.MX 8M Dual / 8M QuadLite / 8M Quad 17 x 17 mm functional contact assignments (continued)

| Ball name | Ball | Power group | Ball type ¹ | Reset condition ² | | | |
|---------------|------|-------------|------------------------|------------------------------|--------------------------------|--------------|-----------|
| | | | | Default mode (Reset mode) | Default function (Signal name) | Input/Output | Value |
| SD1_CLK | L25 | NVCC_SD1 | GPIO | ALT5 | GPIO2.IO[0] | Input | PD (90 K) |
| SD1_CMD | L24 | NVCC_SD1 | GPIO | ALT5 | GPIO2.IO[1] | Input | PD (90 K) |
| SD1_DATA0 | M25 | NVCC_SD1 | GPIO | ALT5 | GPIO2.IO[2] | Input | PD (90 K) |
| SD1_DATA1 | M24 | NVCC_SD1 | GPIO | ALT5 | GPIO2.IO[3] | Input | PD (90 K) |
| SD1_DATA2 | N25 | NVCC_SD1 | GPIO | ALT5 | GPIO2.IO[4] | Input | PD (90 K) |
| SD1_DATA3 | P25 | NVCC_SD1 | GPIO | ALT5 | GPIO2.IO[5] | Input | PD (90 K) |
| SD1_DATA4 | N24 | NVCC_SD1 | GPIO | ALT5 | GPIO2.IO[6] | Input | PD (90 K) |
| SD1_DATA5 | P24 | NVCC_SD1 | GPIO | ALT5 | GPIO2.IO[7] | Input | PD (90 K) |
| SD1_DATA6 | R25 | NVCC_SD1 | GPIO | ALT5 | GPIO2.IO[8] | Input | PD (90 K) |
| SD1_DATA7 | T25 | NVCC_SD1 | GPIO | ALT5 | GPIO2.IO[9] | Input | PD (90 K) |
| SD1_RESET_B | R24 | NVCC_SD1 | GPIO | ALT5 | GPIO2.IO[10] | Input | PD (90 K) |
| SD1_STROBE | T24 | NVCC_SD1 | GPIO | ALT5 | GPIO2.IO[11] | Input | PD (90 K) |
| SD2_CD_B | L21 | NVCC_SD2 | GPIO | ALT5 | GPIO2.IO[12] | Input | PD (90 K) |
| SD2_CLK | L22 | NVCC_SD2 | GPIO | ALT5 | GPIO2.IO[13] | Input | PD (90 K) |
| SD2_CMD | M22 | NVCC_SD2 | GPIO | ALT5 | GPIO2.IO[14] | Input | PD (90 K) |
| SD2_DATA0 | N22 | NVCC_SD2 | GPIO | ALT5 | GPIO2.IO[15] | Input | PD (90 K) |
| SD2_DATA1 | N21 | NVCC_SD2 | GPIO | ALT5 | GPIO2.IO[16] | Input | PD (90 K) |
| SD2_DATA2 | P22 | NVCC_SD2 | GPIO | ALT5 | GPIO2.IO[17] | Input | PD (90 K) |
| SD2_DATA3 | P21 | NVCC_SD2 | GPIO | ALT5 | GPIO2.IO[18] | Input | PD (90 K) |
| SD2_RESET_B | R22 | NVCC_SD2 | GPIO | ALT5 | GPIO2.IO[19] | Input | PD (90 K) |
| SD2_WP | M21 | NVCC_SD2 | GPIO | ALT5 | GPIO2.IO[20] | Input | PD (90 K) |
| SPDIF_EXT_CLK | E6 | NVCC_SAI3 | GPIO | ALT5 | GPIO5.IO[5] | Input | PD (90 K) |
| SPDIF_RX | G6 | NVCC_SAI3 | GPIO | ALT5 | GPIO5.IO[4] | Input | PD (90 K) |
| SPDIF_TX | F6 | NVCC_SAI3 | GPIO | ALT5 | GPIO5.IO[3] | Input | PD (90 K) |
| TEST_MODE | V7 | NVCC_JTAG | GPIO | ALT0 | tcu.TEST_MODE | Input | PD (90 K) |
| UART1_RXD | C7 | NVCC_UART | GPIO | ALT5 | GPIO5.IO[22] | Input | PD (90 K) |
| UART1_TXD | A7 | NVCC_UART | GPIO | ALT5 | GPIO5.IO[23] | Input | PD (90 K) |
| UART2_RXD | B6 | NVCC_UART | GPIO | ALT5 | GPIO5.IO[24] | Input | PD (90 K) |
| UART2_TXD | D6 | NVCC_UART | GPIO | ALT5 | GPIO5.IO[25] | Input | PD (90 K) |
| UART3_RXD | A6 | NVCC_UART | GPIO | ALT5 | GPIO5.IO[26] | Input | PD (90 K) |

Table 83. i.MX 8M Dual / 8M QuadLite / 8M Quad 17 x 17 mm functional contact assignments (continued)

| Ball name | Ball | Power group | Ball type ¹ | Reset condition ² | | | |
|-------------|------|-------------|------------------------|------------------------------|--------------------------------|--------------|-----------|
| | | | | Default mode (Reset mode) | Default function (Signal name) | Input/Output | Value |
| UART3_TXD | B7 | NVCC_UART | GPIO | ALT5 | GPIO5.IO[27] | Input | PD (90 K) |
| UART4_RXD | C6 | NVCC_UART | GPIO | ALT5 | GPIO5.IO[28] | Input | PD (90 K) |
| UART4_TXD | D7 | NVCC_UART | GPIO | ALT5 | GPIO5.IO[29] | Input | PD (90 K) |
| USB1_DN | B14 | USB1_VDD33 | PHY | — | — | — | — |
| USB1_DP | A14 | USB1_VDD33 | PHY | — | — | — | — |
| USB1_ID | C14 | USB1_VDD33 | PHY | — | — | — | — |
| USB1_RESREF | A11 | USB1_VPH | PHY | — | — | — | — |
| USB1_RX_N | B12 | USB1_VPH | PHY | — | — | — | — |
| USB1_RX_P | A12 | USB1_VPH | PHY | — | — | — | — |
| USB1_TX_N | B13 | USB1_VPH | PHY | — | — | — | — |
| USB1_TX_P | A13 | USB1_VPH | PHY | — | — | — | — |
| USB1_VBUS | D14 | USB1_VDD33 | PHY | — | — | — | — |
| USB2_DN | B10 | USB2_VDD33 | PHY | — | — | — | — |
| USB2_DP | A10 | USB2_VDD33 | PHY | — | — | — | — |
| USB2_ID | C9 | USB2_VDD33 | PHY | — | — | — | — |
| USB2_RESREF | B11 | USB2_VPH | PHY | — | — | — | — |
| USB2_RX_N | B8 | USB2_VPH | PHY | — | — | — | — |
| USB2_RX_P | A8 | USB2_VPH | PHY | — | — | — | — |
| USB2_TX_N | B9 | USB2_VPH | PHY | — | — | — | — |
| USB2_TX_P | A9 | USB2_VPH | PHY | — | — | — | — |
| USB2_VBUS | D9 | USB2_VDD33 | PHY | — | — | — | — |
| XTALI_25M | U25 | VDDA | ANALOG | — | — | — | — |
| XTALI_27M | V25 | VDDA | ANALOG | — | — | — | — |
| XTALO_25M | U24 | VDDA | ANALOG | — | — | — | — |
| XTALO_27M | V24 | VDDA | ANALOG | — | — | — | — |

¹ The state immediately after RESET and before ROM firmware or software has executed.

² The state during, after RESET and before ROM firmware or software has executed.

³ Jtag Active output during reset

⁴ INT_BOOT output (High) during reset

⁵ Boot Configure Input

5.1.3 i.MX 8M Dual / 8M QuadLite / 8M Quad 17 x 17 mm 0.65 mm pitch ball map

Table 84 shows the i.MX 8M Dual / 8M QuadLite / 8M Quad 17 x 17 mm, 0.65 mm pitch ball map.

Table 84. 17 x 17 mm, 0.65 mm pitch ball map

| | 1 | 2 | 3 | 4 | 5 | 6 | 7 | 8 | 9 | 10 | 11 | 12 | 13 | 14 | 15 | 16 | 17 | 18 | 19 | 20 | 21 | 22 | 23 | 24 | 25 |
|---|-----------|-----------|-----------|-------------|-------------|---------------|-----------|-----------|-----------|---------|-------------|-----------|-----------|-----------|---------------|----------------|---------------|---------------|-----------------|----------------|----------------|-----------------|----------------|---------------------|---------------------|
| F | SAI1_RXD5 | SAI1_TXD0 | SAI3_RXD | SAI3_RXC | NVCC_ECSP1 | SPDIF_TX | I2C2_SDA | I2C4_SCL | I2C4_SDA | VSS | USB2_VPH | USB1_VPH | VSS | VSS | MIPI_VDD | VSS | MIPI_VDDA | MIPI_VDDA | MIPI_VDDPLL | VSS | NAND_CE2_B | PCIE_VP | PCIE_VPTX | PCIE2_REF_PAD_CLK_N | PCIE2_REF_PAD_CLK_P |
| E | SAI1_TXC | SAI1_TXD1 | NVCC_SAI3 | VSS | ECSP12_MOSI | SPDIF_EXT_CLK | I2C1_SCL | I2C1_SDA | I2C3_SDA | VSS | USB2_DVDD | USB1_DVDD | VSS | VSS | MIPI_VDD | VSS | MIPI_VDDA | MIPI_VDDA | VSS | VSS | VSS | VSS | VSS | PCIE2_TXN_N | PCIE2_TXN_P |
| D | SAI1_TXD3 | SAI1_TXD4 | SAI3_MCLK | ECSP11_SS0 | ECSP11_SCLK | UART2_TXD | UART4_TXD | NVCC_UART | USB2_VBUS | VSS | USB2_VP | USB1_VP | VSS | USB1_VBUS | VSS | MIPI_DSI_CLK_P | MIPI_VDDHA | MIPI_VDDHA | MIPI_CS12_D3_P | MIPI_CS12_D0_P | MIPI_CS11_D3_P | MIPI_CS11_DI_P | VSS | PCIE2_RXN_N | PCIE2_RXN_P |
| C | SAI1_TXD7 | SAI1_TXD5 | SAI3_TXD | SAI3_TXC | ECSP12_SCLK | UART4_RXD | UART1_RXD | VSS | USB2_ID | VSS | USB2_VPTX | USB1_VPTX | VSS | USB1_ID | VSS | MIPI_DSI_CLK_N | MIPI_DSI_REXT | MIPI_VDDHA | MIPI_CS12_D3_N | MIPI_CS12_D0_N | MIPI_CS11_D3_N | MIPI_CS11_DI_N | MIPI_CS11_D2_P | VSS | PCIE2_RESREF |
| B | VSS | SAI1_TXD2 | SAI1_TXD6 | ECSP11_MISO | ECSP12_MISO | UART2_RXD | UART3_TXD | USB2_RX_N | USB2_TX_N | USB2_DN | USB2_RESREF | USB1_RX_N | USB1_TX_N | USB1_DN | MIPI_DSI_D3_P | MIPI_DSI_D1_P | MIPI_DSI_D0_P | MIPI_DSI_D2_P | MIPI_CS12_CLK_P | MIPI_CS12_D1_P | MIPI_CS12_D2_P | MIPI_CS11_CLK_P | MIPI_CS11_D0_P | MIPI_CS11_D2_N | VSS |
| A | | VSS | SAI1_MCLK | ECSP11_MOSI | ECSP12_SS0 | UART3_RXD | UART1_TXD | USB2_RX_P | USB2_TX_P | USB2_DP | USB1_RESREF | USB1_RX_P | USB1_TX_P | USB1_DP | MIPI_DSI_D3_N | MIPI_DSI_D1_N | MIPI_DSI_D0_N | MIPI_DSI_D2_N | MIPI_CS12_CLK_N | MIPI_CS12_D1_N | MIPI_CS12_D2_N | MIPI_CS11_CLK_N | MIPI_CS11_D0_N | VSS | |

Table 84. 17 x 17 mm, 0.65 mm pitch ball map (continued)

| N | M | L | K | J | H | G |
|----------------------|----------------|-------------|---------------------|-------------|-------------|--------------|
| HDMI_TX_M_LN_2 | HDMI_TX_P_LN_3 | SAI1_RXFS | SAI1_RXC | SAI1_RXD4 | SAI1_TXFS | SAI1_RXD7 |
| HDMI_TX_P_LN_2 | HDMI_TX_M_LN_3 | SAI1_RXD1 | SAI1_RXD0 | SAI1_RXD3 | SAI1_RXD2 | SAI1_RXD6 |
| VSS | NVCC_SAI5 | NVCC_SAI1 | NVCC_SAI1 | VSS | SAI2_RXC | SAI3_TXFS |
| SAI5_RXFS | SAI5_RXD2 | SAI5_RXD1 | SAI5_MCLK | SAI2_RXFS | SAI2_TXFS | SAI3_RXFS |
| GPIO1_IO06 | SAI5_RXD0 | SAI5_RXC | SAI5_RXD3 | SAI2_TXC | SAI2_MCLK | SAI2_TXD0 |
| GPIO1_IO07 | GPIO1_IO09 | GPIO1_IO11 | GPIO1_IO13 | GPIO1_IO15 | SAI2_RXD0 | SPDIF_RX |
| GPIO1_IO08 | GPIO1_IO10 | GPIO1_IO12 | GPIO1_IO14 | NVCC_SAI2 | NVCC_I2C | I2C2_SCL |
| VDD_VPU | VSS | VSS | VSS | VSS | VSS | I2C3_SCL |
| VDD_VPU | VDD_GPU | VDD_GPU | VDD_GPU | VDD_GPU | VSS | VSS |
| VDD_VPU | VDD_GPU | VDD_GPU | VDD_GPU | VDD_GPU | VSS | VSS |
| VDDA_IP8_SPLL_VIDEO2 | VSS | VSS | VSS | VSS | VSS | USB2_VDD33 |
| VSSA_SPLL_VIDEO2 | VDD_SOC | VDD_SOC | VDD_SOC | VSS | VSS | USB1_VDD33 |
| VDD_SOC | VDD_SOC | VDD_SOC | VSSA_FPLL_ARM | VSS | VSS | VSS |
| VSS | VSS | VSS | VDDA_IP8_FPLL_ARM | VSS | VDD_ARM | VDD_ARM |
| VSS | VDD_ARM | VDD_ARM | VDD_ARM | VDD_ARM | VDD_ARM | VDD_ARM |
| VSS | VDD_ARM | VDD_ARM | VDD_ARM | VDD_ARM | VDD_ARM | VDD_ARM |
| VSS | VSS | VSS | VSS | VSS | VSS | VSS |
| VSS | NVCC_NAND | NVCC_NAND | VSS | VSS | VSS | VSS |
| ENET_MDIO | NAND_DATA07 | NAND_DATA06 | NAND_RE_B | VSS | NAND_CE0_B | NAND_ALE |
| ENET_MDC | NAND_DQS | NAND_DATA04 | NAND_READY_B | NAND_DATA01 | NAND_CE3_B | NAND_DATA00 |
| SD2_DATA1 | SD2_WP | SD2_CD_B | NAND_WP_B | NAND_DATA03 | NAND_CLE | NAND_CE1_B |
| SD2_DATA0 | SD2_CMD | SD2_CLK | NAND_WE_B | NAND_DATA05 | NAND_DATA02 | PCIE_VP |
| NVCC_SD2 | NVCC_SD1 | NVCC_SD1 | VSS | PCIE_VPH | PCIE_VPH | PCIE_VPTX |
| SD1_DATA4 | SD1_DATA1 | SD1_CMD | PCIE1_REF_PAD_CLK_N | PCIE1_TXN_N | PCIE1_RXN_N | VSS |
| SD1_DATA2 | SD1_DATA0 | SD1_CLK | PCIE1_REF_PAD_CLK_P | PCIE1_TXN_P | PCIE1_RXN_P | PCIE1_RESREF |

Table 84. 17 x 17 mm, 0.65 mm pitch ball map (continued)

| Y | W | V | U | T | R | P |
|-----------|-------------------|---------------|----------------|----------------|---------------|--------------|
| DRAM_DQ21 | VSS | HDMI_AUX_P | HDMI_TX_M_LN_1 | HDMI_TX_P_LN_0 | HDMI_REFCLK_N | HDMI_REXT |
| VSS | HDMI_HPD | HDMI_AUX_N | HDMI_TX_P_LN_1 | HDMI_TX_M_LN_0 | HDMI_REFCLK_P | HDMI_AVDDIO |
| VSS | HDMI_CEC | HDMI_AVDDCLK | HDMI_AVDDCORE | VSS | HDMI_DDC_SCL | HDMI_DDC_SDA |
| VSS | NVCC_JTAG | VSS | HDMI_AVDDCORE | VSS | GPIO1_IO02 | GPIO1_IO03 |
| VSS | JTAG_TDI | JTAG_TMS | JTAG_TDO | JTAG_TCK | NVCC_GPIO1 | GPIO1_IO04 |
| VDD_DRAM | BOOT_MODE0 | BOOT_MODE1 | JTAG_TRST_B | GPIO1_IO00 | NVCC_GPIO1 | VSS |
| VSS | VSS | TEST_MODE | JTAG_MOD | GPIO1_IO01 | VSS | GPIO1_IO05 |
| VDD_DRAM | VSS | VSS | VSS | VDD_SOC | VDD_SOC | VSS |
| VSS | VSS | VDD_DRAM | VSS | VSS | VDD_SOC | VDD_VPU |
| VDD_DRAM | VSS | VDD_DRAM | VDD_DRAM | VSS | VDD_SOC | VDD_VPU |
| VSS | VSS | VDD_DRAM | VDD_DRAM | VSS | VDD_SOC | VSS |
| VDD_DRAM | VSS | VDD_DRAM | VDD_DRAM | VSS | VDD_SOC | VSS |
| VSS | VSS | VDD_DRAM | VDD_DRAM | VSS | VDD_SOC | VDD_SOC |
| VDD_DRAM | VSS | VSS | VSS | VSS | VDD_SOC | VDD_SOC |
| VSS | VDDA_IP8_SPLL | VSSA_SPLL | VDDA_IP8_FPLL | VDD_SOC | EFUSE_VQPS | VSS |
| VDD_DRAM | NVCC_SNVS | VDDA_0P9 | VSS | NVCC_ENET | VDD_SNVS | VSS |
| VSS | RTC_RESET_B | ENET_RD3 | ENET_RD0 | ENET_TXC | ENET_TD2 | ENET_TX_CTL |
| VDD_DRAM | POR_B | PMIC_ON_REQ | ENET_RD2 | ENET_RXC | ENET_TD0 | ENET_TD3 |
| VSS | ONOFF | PMIC_STBY_REQ | ENET_RD1 | ENET_RX_CTL | ENET_TD1 | SD2_DATA3 |
| VSS | VSSA_XTAL_27M | RTC | CLK2_N | CLK2_P | SD2_RESET_B | SD2_DATA2 |
| VSS | VDDA_IP8_XTAL_27M | VSSA_XTAL_25M | VDDA_IP8_LVDS | CLK1_N | CLK1_P | VSS |
| VSS | VDDA_IP8_XTAL_25M | XTALO_27M | XTALO_25M | SD1_STROBE | SD1_RESET_B | SD1_DATA5 |
| DRAM_DQ05 | VSS | XTALI_27M | XTALI_25M | SD1_DATA7 | SD1_DATA6 | SD1_DATA3 |

Table 84. 17 x 17 mm, 0.65 mm pitch ball map (continued)

| | 1 | 2 | 3 | 4 | 5 | 6 | 7 | 8 | 9 | 10 | 11 | 12 | 13 | 14 | 15 | 16 | 17 | 18 | 19 | 20 | 21 | 22 | 23 | 24 | 25 |
|----|-------------|-------------|-----------|-----------|-------------|-----------|-----------|-----------|-----------|-----------|-----------|-----------|--------------|-----------|-----------|-----------|-----------|-----------|-----------|-----------|-------------|-----------|-----------|-------------|-------------|
| AA | DRAM_DQ22 | DRAM_DQ20 | DRAM_DQ26 | DRAM_DQ25 | VSS | DRAM_DQ27 | DRAM_DQ30 | DRAM_DQ28 | DRAM_DQ31 | NVCC_DRAM | VDDA_DRAM | DRAM_AC27 | DRAM_ZN | DRAM_VREF | NVCC_DRAM | VSS | DRAM_DQ15 | DRAM_DQ12 | DRAM_DQ14 | DRAM_DQ11 | VSS | DRAM_DQ09 | DRAM_DQ10 | DRAM_DQ04 | DRAM_DQ06 |
| AB | DRAM_DQ23 | VSS | NVCC_DRAM | DRAM_DQ24 | DRAM_DQS3_P | DRAM_DM3 | DRAM_DQ29 | NVCC_DRAM | VSS | DRAM_AC35 | VSS | DRAM_AC26 | DRAM_RESET_N | DRAM_AC19 | DRAM_AC07 | DRAM_AC14 | NVCC_DRAM | VSS | DRAM_DQ13 | DRAM_DMI | DRAM_DQS1_P | DRAM_DQ08 | NVCC_DRAM | VSS | DRAM_DQ07 |
| AC | DRAM_DQS2_N | DRAM_DQS2_P | NVCC_DRAM | VSS | DRAM_DQS3_N | NVCC_DRAM | DRAM_AC28 | NVCC_DRAM | DRAM_AC23 | DRAM_AC34 | DRAM_AC38 | DRAM_AC36 | DRAM_ALERT_N | NVCC_DRAM | DRAM_AC15 | DRAM_AC00 | NVCC_DRAM | DRAM_AC03 | VSS | NVCC_DRAM | DRAM_DQS1_N | VSS | NVCC_DRAM | DRAM_DQS0_P | DRAM_DQS0_N |
| AD | VSS | DRAM_DQ17 | DRAM_DM2 | DRAM_DQ19 | NVCC_DRAM | DRAM_AC31 | VSS | DRAM_AC22 | VSS | DRAM_AC20 | VSS | DRAM_AC24 | VSS | DRAM_AC04 | DRAM_AC17 | VSS | DRAM_AC08 | NVCC_DRAM | DRAM_AC12 | DRAM_AC10 | NVCC_DRAM | DRAM_DQ03 | DRAM_DM0 | DRAM_DQ01 | VSS |
| AE | VSS | DRAM_DQ16 | DRAM_DQ18 | VSS | DRAM_AC30 | DRAM_AC29 | DRAM_AC32 | DRAM_AC33 | DRAM_AC21 | DRAM_AC37 | DRAM_AC25 | DRAM_AC06 | DRAM_AC05 | DRAM_AC16 | DRAM_AC09 | DRAM_AC01 | DRAM_AC02 | DRAM_AC13 | DRAM_AC11 | VSS | DRAM_DQ02 | DRAM_DQ00 | VSS | | |

5.2 DDR pin function list for 17 x 17 mm package

Table 85 shows the DDR pin function list for 17 x 17 mm package.

Table 85. DDR pin function list for 17 x 17 mm package

| Die level pin name | LPDDR4 | DDR4 | DDR3L | BALL |
|--------------------|----------|--------------------|---------|------|
| DRAM_DQS0_P | DQS0_t_A | DQSL_t_A | DQSL_A | AC24 |
| DRAM_DQS0_N | DQS0_C_A | DQSL_C_A | DQSL#_A | AC25 |
| DRAM_DM0 | DMI0_A | DML_N_A / DBIL_n_A | DML_A | AD23 |
| DRAM_DQ00 | DQ0_A | DQL0_A | DQL0_A | AE23 |
| DRAM_DQ01 | DQ1_A | DQL1_A | DQL1_A | AD24 |
| DRAM_DQ02 | DQ2_A | DQL2_A | DQL2_A | AE22 |
| DRAM_DQ03 | DQ3_A | DQL3_A | DQL3_A | AD22 |
| DRAM_DQ04 | DQ4_A | DQL4_A | DQL4_A | AA24 |
| DRAM_DQ05 | DQ5_A | DQL5_A | DQL5_A | Y25 |

Table 85. DDR pin function list for 17 x 17 mm package (continued)

| | | | | |
|-------------|----------|--------------------|---------|------|
| DRAM_DQ06 | DQ6_A | DQL6_A | DQL6_A | AA25 |
| DRAM_DQ07 | DQ7_A | DQL7_A | DQL7_A | AB25 |
| DRAM_DQS1_P | DQS1_t_A | DQSU_t_A | DQSU_A | AB21 |
| DRAM_DQS1_N | DQS1_c_A | DQSU_c_A | DQSU#_A | AC21 |
| DRAM_DM1 | DMI1_A | DMU_n_A / DBIU_n_A | DMU_A | AB20 |
| DRAM_DQ08 | DQ08_A | DQU0_A | DQU0_A | AB22 |
| DRAM_DQ09 | DQ09_A | DQU1_A | DQU1_A | AA22 |
| DRAM_DQ10 | DQ10_A | DQU2_A | DQU2_A | AA23 |
| DRAM_DQ11 | DQ11_A | DQU3_A | DQU3_A | AA20 |
| DRAM_DQ12 | DQ12_A | DQU4_A | DQU4_A | AA18 |
| DRAM_DQ13 | DQ13_A | DQU5_A | DQU5_A | AB19 |
| DRAM_DQ14 | DQ14_A | DQU6_A | DQU6_A | AA19 |
| DRAM_DQ15 | DQ15_A | DQU7_A | DQU7_A | AA17 |
| DRAM_DQS2_P | DQS0_t_B | DQSL_t_B | DQSL_B | AC2 |
| DRAM_DQS2_N | DQS0_c_B | DQSL_c_B | DQSL#_B | AC1 |
| DRAM_DM2 | DMI0_B | DML_n_B / DBIL_n_B | DML_B | AD3 |
| DRAM_DQ16 | DQ0_B | DQL0_B | DQL0_B | AE3 |
| DRAM_DQ17 | DQ1_B | DQL1_B | DQL1_B | AD2 |
| DRAM_DQ18 | DQ2_B | DQL2_B | DQL2_B | AE4 |
| DRAM_DQ19 | DQ3_B | DQL3_B | DQL3_B | AD4 |
| DRAM_DQ20 | DQ4_B | DQL4_B | DQL4_B | AA2 |
| DRAM_DQ20 | DQ4_B | DQL4_B | DQL4_B | AA2 |
| DRAM_DQ21 | DQ5_B | DQL5_B | DQL5_B | Y1 |
| DRAM_DQ22 | DQ6_B | DQL6_B | DQL6_B | AA1 |
| DRAM_DQ23 | DQ7_B | DQL7_B | DQL7_B | AB1 |
| DRAM_DQS3_P | DQS1_t_B | DQSU_t_B | DQSU_B | AB5 |
| DRAM_DQS3_N | DQS1_c_B | DQSU_c_B | DQSU#_B | AC5 |
| DRAM_DM3 | DMI1_B | DMU_n_B / DBIU_n_B | DMU_B | AB6 |
| DRAM_DQ24 | DQ08_B | DQU0_B | DQU0_B | AB4 |
| DRAM_DQ25 | DQ09_B | DQU1_B | DQU1_B | AA4 |
| DRAM_DQ26 | DQ10_B | DQU2_B | DQU2_B | AA3 |
| DRAM_DQ27 | DQ11_B | DQU3_B | DQU3_B | AA6 |
| DRAM_DQ28 | DQ12_B | DQU4_B | DQU4_B | AA8 |
| DRAM_DQ29 | DQ13_B | DQU5_B | DQU5_B | AB7 |

Table 85. DDR pin function list for 17 x 17 mm package (continued)

| | | | | |
|--------------|---------|------------------|-----------|------|
| DRAM_DQ30 | DQ14_B | DQU6_B | DQU6_B | AA7 |
| DRAM_DQ31 | DQ15_B | DQU7_B | DQU7_B | AA9 |
| DRAM_RESET_N | RESET_N | RESET_N | RESET# | AB13 |
| DRAM_ALERT_N | MTEST1 | ALERT_n / MTEST1 | MTEST1 | AC13 |
| DRAM_AC00 | CKE0_A | CKE0 | CKE0 | AC16 |
| DRAM_AC01 | CKE1_A | CKE1 | CKE1 | AE17 |
| DRAM_AC02 | CS0_A | CS0_n | CS0# | AE18 |
| DRAM_AC03 | CS1_A | C0 | — | AC18 |
| DRAM_AC04 | CK_t_A | BG0 | BA2 | AD14 |
| DRAM_AC05 | CK_c_A | BG1 | A14 | AE14 |
| DRAM_AC06 | — | ACT_n | A15 | AE13 |
| DRAM_AC07 | — | A9 | A9 | AB15 |
| DRAM_AC08 | CA0_A | A12 | A12 / BC# | AD17 |
| DRAM_AC09 | CA1_A | A11 | A11 | AE16 |
| DRAM_AC10 | CA2_A | A7 | A7 | AD20 |
| DRAM_AC11 | CA3_A | A8 | A8 | AE20 |
| DRAM_AC12 | CA4_A | A6 | A6 | AD19 |
| DRAM_AC13 | CA5_A | A5 | A5 | AE19 |
| DRAM_AC14 | — | A4 | A4 | AB16 |
| DRAM_AC15 | — | A3 | A3 | AC15 |
| DRAM_AC16 | — | CK_t_A | CK_A | AE15 |
| DRAM_AC17 | — | CK_c_A | CK#_A | AD15 |
| DRAM_AC19 | MTEST | MTEST | MTEST | AB14 |
| DRAM_AC20 | CKE0_B | CK_t_B | CK_B | AD10 |
| DRAM_AC21 | CKE1_B | CK_c_B | CK#_B | AE10 |
| DRAM_AC22 | CS1_B | — | — | AD8 |
| DRAM_AC23 | CS0_B | — | — | AC9 |
| DRAM_AC24 | CK_t_B | A2 | A2 | AD12 |
| DRAM_AC25 | CK_c_B | A1 | A1 | AE12 |
| DRAM_AC26 | — | BA1 | BA1 | AB12 |
| DRAM_AC27 | — | PARITY | — | AA12 |
| DRAM_AC28 | CA2_B | A13 | A13 | AC7 |
| DRAM_AC29 | CA3_B | BA0 | BA0 | AE7 |
| DRAM_AC30 | CA4_B | A10 / AP | A10 / AP | AE6 |

Table 85. DDR pin function list for 17 x 17 mm package (continued)

| | | | | |
|-----------|-------|-------------|------|------|
| DRAM_AC31 | CA5_B | A0 | A0 | AD6 |
| DRAM_AC32 | CA0_B | C2 | — | AE8 |
| DRAM_AC33 | CA1_B | CAS_n / A15 | CAS# | AE9 |
| DRAM_AC34 | — | WE_n / A14 | WE# | AC10 |
| DRAM_AC35 | — | RAS_n / A16 | RAS# | AB10 |
| DRAM_AC36 | — | ODT0 | ODT0 | AC12 |
| DRAM_AC37 | — | ODT1 | ODT1 | AE11 |
| DRAM_AC38 | — | CS1_n | CS1# | AC11 |
| DRAM_ZN | ZQ | ZQ | ZQ | AA13 |
| DRAM_VREF | VREF | VREF | VREF | AA14 |

6 Revision history

Table 86 provides a revision history for this data sheet.

Table 86. Revision history

| Rev. number | Date | Substantive change(s) |
|-------------|---------|---|
| Rev. 0.1 | 05/2018 | <ul style="list-style-type: none"> • Added a note in the Table 2, "Orderable part numbers" • Updated the Table 3, "i.MX 8M Dual / 8M QuadLite / 8M Quad modules list" • Updated the Table 7, "Operating ranges" • Updated the Table 9, "Maximum supply currents" • Updated the Table 10, "Chip power in different LP mode" • Added the Table 11, "The power supply states" • Updated the PCIe parameters in the Table 15, "PCIe recommended operating conditions" • Updated and added a leakage limit note in the Table 26, "GPIO DC parameters" • Added a leakage limit note in the Table 29, "Input DC current" • Updated the timing parameters in the Table 38, "ECSPI Master mode timing parameters" and Table 39, "ECSPI Slave mode timing parameters" • Updated the Section 3.9.8.1, "PCIEx_RESREF reference resistor connection" • Updated the Table 58, "MIPI input characteristics DC specifications" • Removed the SPI interfaces from the Table 81, "Interface allocation during boot" • Updated the PCIe and MIPI power group in the Table 83, "i.MX 8M Dual / 8M QuadLite / 8M Quad 17 x 17 mm functional contact assignments" • Updated the Table 84, "17 x 17 mm, 0.65 mm pitch ball map" |
| Rev. 0 | 01/2018 | <ul style="list-style-type: none"> • Initial version |

How to Reach Us:

Home Page:

nxp.com

Web Support:

nxp.com/support

Information in this document is provided solely to enable system and software implementers to use NXP products. There are no express or implied copyright licenses granted hereunder to design or fabricate any integrated circuits based on the information in this document. NXP reserves the right to make changes without further notice to any products herein.

NXP makes no warranty, representation, or guarantee regarding the suitability of its products for any particular purpose, nor does NXP assume any liability arising out of the application or use of any product or circuit, and specifically disclaims any and all liability, including without limitation consequential or incidental damages. "Typical" parameters that may be provided in NXP data sheets and/or specifications can and do vary in different applications, and actual performance may vary over time. All operating parameters, including "typicals" must be validated for each customer application by customer, customer's technical experts. NXP does not convey any license under its patent rights nor the rights of others. NXP sells products pursuant to standard terms and conditions of sale, which can be found at the following address: nxp.com/SalesTermsandConditions.

NXP, the NXP logo, Freescale, the Freescale logo, and the Energy Efficient Solutions logo are trademarks of NXP B.V. All other product or service names are the property of their respective owners. Arm and Cortex are trademarks of Arm Limited (or its subsidiaries) in the EU and/or elsewhere. All rights reserved.

© 2018 NXP B.V.

Document Number: IMX8MDQLQCEC
Rev. 0.1
05/2018

arm

