

PRODUCT NUMBER	PITCH
KDxx10x0A0J0G	3.50 mm

$$\text{Dim L} = (N/2 - 1) \times 3.5 + 4.2$$

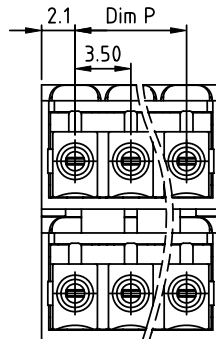
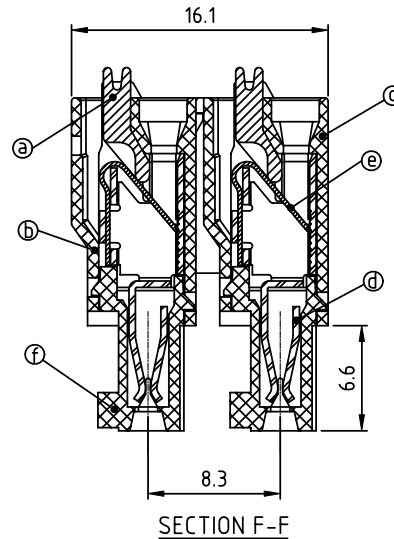
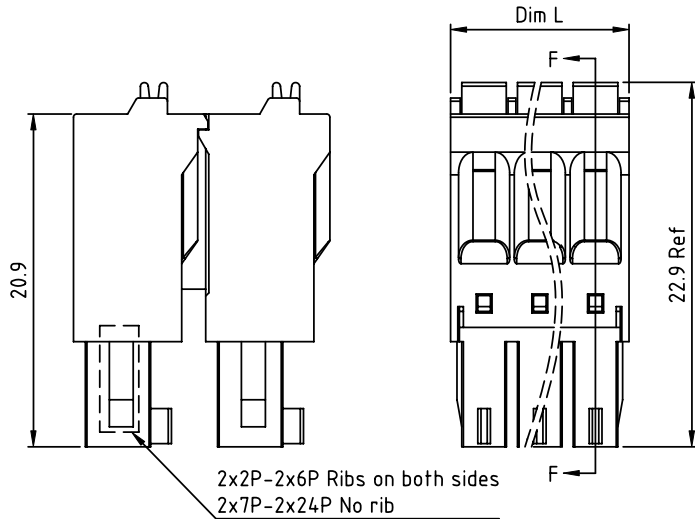
$$\text{Dim P} = (N/2 - 1) \times 3.5$$

N=Number of poles

POLES	Tolerance
2x2P-2x6P	±0.15
2x7P-2x12P	±0.25
2x13P-2x18P	±0.30
2x19P-2x24P	±0.40

PART NO.: **KD xx 1 0 x 0 A0J0 G**

↓	↓	↓
Solid block	Housing Color	RoHS compliant
No. of poles	0 Black (RAL9005)	(lead<4%)
04 2x2 poles	5 Green(RAL6018/T)	In copper Alloy
06 2x3 poles	6 Blue (RAL5015/A)	
... ..	8 Grey(RAL7035/D)	
48 2x24 poles		



Material:

- Item① Terminal lever: Thermoplastic (UL94V-0) Orange (RAL2011/P)
- Item② Top housing: Thermoplastic (UL94V-0)
- Item③ Terminal back housing: Thermoplastic (UL94V-0)
- Item④ Female contact: PhBz, Bright Tin plated over Nickel Plated
- Item⑤ Spring clamp: Stainless steel
- Item⑥ Bottom housing: Thermoplastic (UL94V-0)

Electrical:

- Voltage rating: cULus 160 V
- Current rating: 5.5 A
- Wire range:
- Solid wire(AWG): 16-24
- Stranded wire(AWG): 16-24
- Wire strip length: 9-10 mm
- Withstanding Voltage: 1.32 KV
- Operating temperature: -40°C to +115°C
- Safety Approval:

mat'l. code		surface ASME Y14.5 ✓	tolerance ASME Y14.5	projection 	product family TERMINAL BLOCK
ltr	ecn no	dr	date	tolerances unless otherwise specified	title TERMINAL BLOCK
B	T-24175	HF	052816		
		angles	X.±0.5	MM	scale
		X°±1°	X.X±0.3		
			X.XX±0.1		
		dr	EVIN ZHONG 052014		dwg no KDxx10x0A0J0G
		enr	EVIN ZHONG 052014		
		chr	HANKE FENG 052014		
		appd	SHI JUN 052014		
sheet index	revision	B			sheet 1 of 1 size A4
	sheet	1			type CUSTOMER Drawing