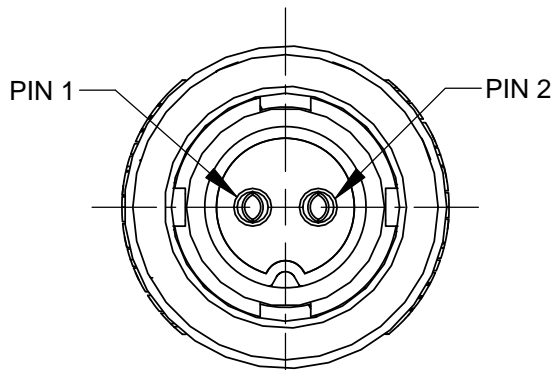


**EN2C2F20  
OVERMOLDED**  
OVERMOLD - BLACK THERMOPLASTIC RUBBER  
CONNECTOR - BLACK THERMOPLASTIC, WITH INSERT  
MOLDED BLACK THERMOPLASTIC RUBBER.  
CONTACTS - COPPER ALLOY, GOLD PLATED



WIRING TABLE	
EN2C2F20	WIRE COLOR
PIN 1	BLACK
PIN 2	WHITE

**NOTES:**

1. THIS PRODUCT IS RoHS COMPLIANT

**EN2C2F20 VIEWED FROM  
FRONT MATING  
SIDE OF CONNECTOR  
SCALE 3 : 1**

**CUSTOMER DRAWING**

					THIS DRAWING DESCRIBES A DESIGN CONSIDERED PROPRIETARY IN NATURE, DEVELOPED AND MANUFACTURED BY SWITCHCRAFT INC. AND IS RELEASED ON A CONFIDENTIAL BASIS FOR IDENTIFICATION PURPOSES ONLY.				
					SIZE *	WIDTH *	MULT *	LBS/M *	TEMPER *
					FINISH *			MATERIAL *	
					SPEC No. *			SPEC No. *	
					FIRST USED ON *		SCALE 1:1		
0A	*	*	*	*	DATE DRAWN 11/23/16	BY AB	CHKD AB 11/23/16	APVD *	
REVISIONS					NAME EN2C2F20 ON 79" OF CABLE, RoHS				
DO NOT SCALE DRAWING					PART No. CAEN2C2F07990			REV 0A	