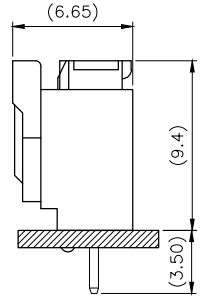
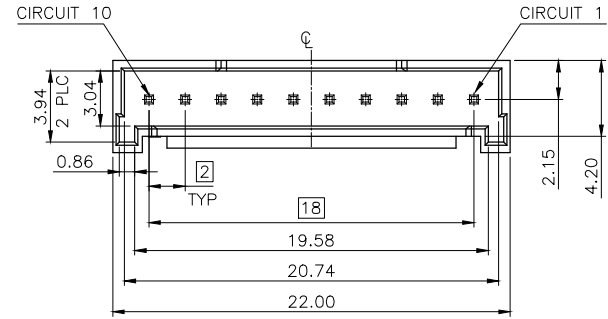


THIS DRAWING IS UNPUBLISHED. RELEASED FOR PUBLICATION  
 © COPYRIGHT 2011 BY TYCO ELECTRONICS CORPORATION. ALL RIGHTS RESERVED.

LOC	DW	DIST	REVISIONS			
P	LTR	DESCRIPTION	DATE	DWN	APVD	
	A1	REVISED PER ECR-14-005797	24APR14	S.C.	H.L.	

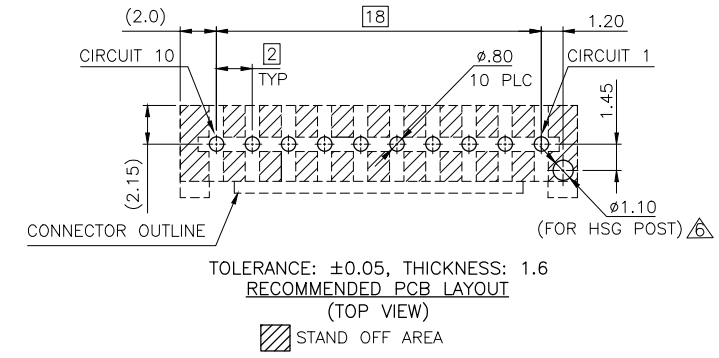
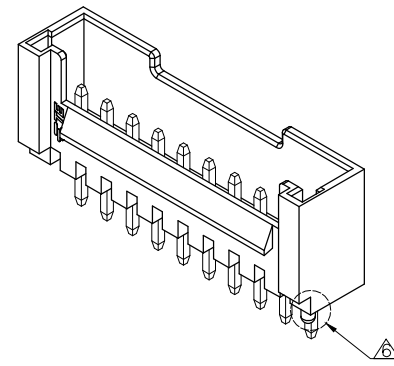
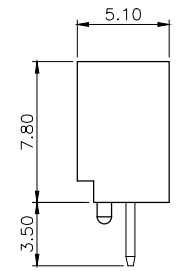
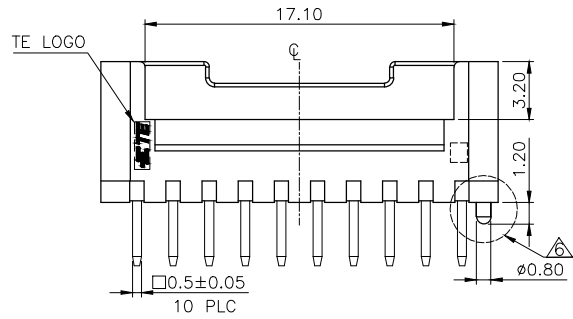


MATING CONDITION (REF.)

NOTES:

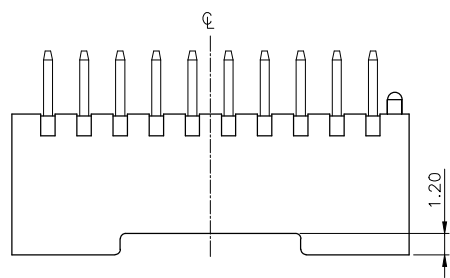
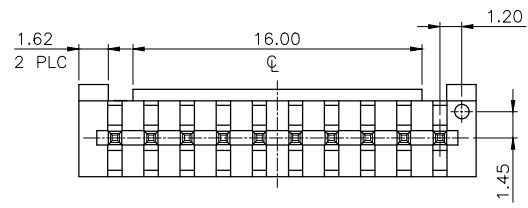
- MATERIAL:  
HOUSING: PA9T WITH 30% GF, UL94 V-0, CREAM COLOR.  
CONTACTS: BRASS.
- FINISH:  
CONTACTS: (SEE TABLE) GOLD PLATED ON CONTACT AREA, 2.54μm [100μ"] MIN. MATTE-TIN ON SOLDER TAIL, WITH ENTIRE CONTACT UNDERPLATED 1.27μm [50μ"] MIN. NICKEL.
- WAVE SOLDER CAPABLE TO 265°C PER 109-202, CONDITION B.
- PART NUMBER OF RECEPTACLE HOUSING: 1-2041406-0.
- PART NUMBER OF RECEPTACLE CONTACT: 2041407-1.

△ POST ATTACHED CONDITION.



TOLERANCE: ±0.05, THICKNESS: 1.6  
 RECOMMENDED PCB LAYOUT  
 (TOP VIEW)  
 ▨ STAND OFF AREA

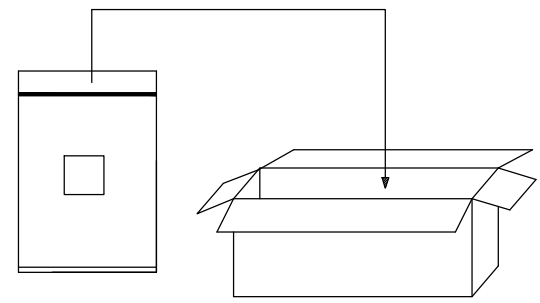
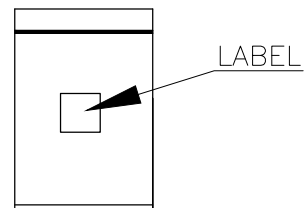
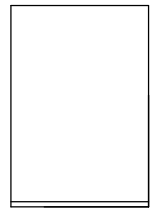
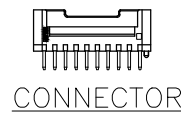
10	0.381μm [15μ"]	WITH	1-2041405-1
10	0.381μm [15μ"]	W/O	1-2041405-0
NO. OF POSITION	MIN. GOLD THICKNESS	HOUSING POST △	PART NUMBER



THIS DRAWING IS A CONTROLLED DOCUMENT.		DWN A. WU 10AUG2011	TE Connectivity		
DIMENSIONS: MM		CHK S. CHIEN 10AUG2011			
TOLERANCES UNLESS OTHERWISE SPECIFIED:		APVD W. KODAMA 10AUG2011	NAME		
0 PLC ± - 1 PLC ± 0.30 2 PLC ± 0.20 3 PLC ± 0.15 4 PLC ± - ANGLES ± 3°		PRODUCT SPEC 108-57873	2.0 PITCH, WIRE TO BOARD, RECEPTACLE, VERTICAL, DIP TYPE, ASSEMBLY		
MATERIAL SEE NOTE		APPLICATION SPEC -	SIZE A3	CAGE CODE 00779	DRAWING NO C-2041405
FINISH SEE NOTE		WEIGHT 0.60 GRAMS	RESTRICTED TO -		
CUSTOMER DRAWING			SCALE -	SHEET 1 of 2	REV A1

THIS DRAWING IS UNPUBLISHED. RELEASED FOR PUBLICATION  
 © COPYRIGHT 2010 BY TYCO ELECTRONICS CORPORATION. ALL RIGHTS RESERVED.

LOC	DIST	REVISIONS					
DW	—	P	LTR	DESCRIPTION	DATE	DWN	APVD
				SEE SHEET 1			



NOTES:

- MATERIAL:  
BOX: FIBREBOARD, CORRUGATED, DOUBLE WALL.  
BAG: POLYETHYLENES, TRANSPARENT COLOR.
- EACH BAG SHALL BE INCLUDED DESICCANT.
- DIMENSION:  
PE BAG: 160 X 240 X 0.08mm.  
BOX: 380 X 260 X 130 mm.
- QUANTITY: (SEE TABLE)
- WEIGHT: (SEE TABLE)

5.0 Kg	4.5 Kg	500	18	9000 PCS	10
GROSS WEIGHT	NET WEIGHT	PCS/BAG	BAGS /BOX	QUANTITY	NO. OF POSTS

THIS DRAWING IS A CONTROLLED DOCUMENT.		DWN	TE Connectivity		
DIMENSIONS: MM		CHK	NAME		
TOLERANCES UNLESS OTHERWISE SPECIFIED:		APVD	2.0 PITCH, WIRE TO BOARD, RECEPTACLE, VERTICAL, DIP TYPE, ASSEMBLY		
0 PLC ± -		PRODUCT SPEC	SIZE CAGE CODE DRAWING NO RESTRICTED TO		
1 PLC ± -		APPLICATION SPEC	A3 00779 C=2041405		
2 PLC ± -		WEIGHT	CUSTOMER DRAWING SCALE SHEET 2 of 2 REV A1		
3 PLC ± -					
4 PLC ± -					
ANGLES ± -					
MATERIAL FINISH					