

Autotransformer for Lighting Ballasts

KEY FEATURES

Step-down 480 VAC, 60 Hz. line voltage to 277VAC

Available in 230VA and 460VA models

Excellent regulation in a cost-effective design

Welded brackets for mounting convenience

Color-coded leads for wiring



DESCRIPTION

These 4500 series autotransformers are designed to step-down 480 VAC, 60Hz. line voltage to 277VAC for lighting ballast applications. The single-winding devices are available in 230VA and 460VA models. They incorporate butt stack and weld lamination construction with a molded bobbin. The molded coil cover provides integral strain relief for the leads.

APPLICATIONS

Fluorescent fixture ballasts in commercial lighting systems

ELECTRICAL

Primary Voltage:	480 volts AC
Secondary Voltage:	277 volts AC

Frequency:	60 Hz.
------------	--------

Ratings:	230 and 460VA
----------	---------------

Insulation Class:	UL Class B (130°C)
-------------------	--------------------

MECHANICAL

Approx. Weight:	230VA model: 2.25 lbs. (1.02 kg) 460VA model: 4.25 lbs. (1.93 kg)
-----------------	--

Finish:	Corrosion resistant varnish
---------	-----------------------------

Termination:	18AWG stranded leads 12.0 in (305 mm) long, stripped 0.5 in (123.7 mm)
--------------	--

STANDARDS & SPECS

UL Component Recognized to US and Canadian standards, File E102980

PRODUCT OFFERING

The following standard part numbers are available:

230VA model	4500-90FW34K999	1611516-8
460VA model	4500-90FX28K999	1611516-7

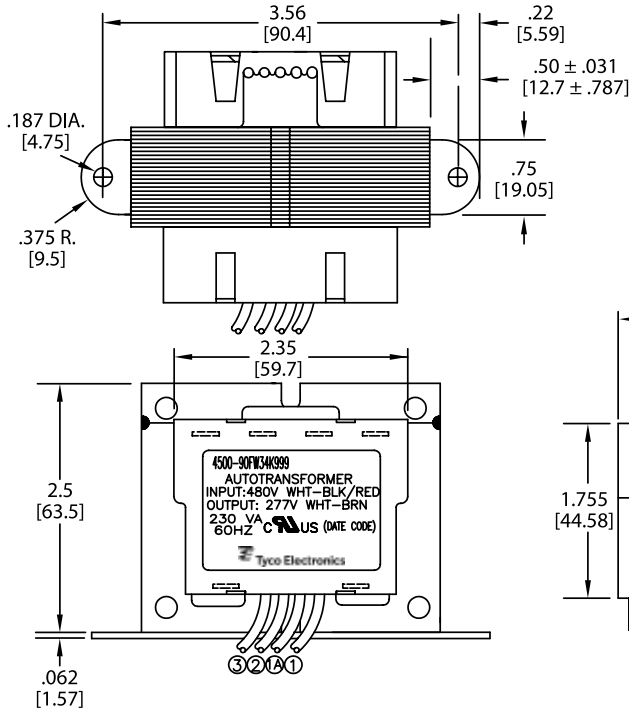
Other sizes, termination and mounting options available on a special order basis.

Autotransformer for Lighting Ballasts

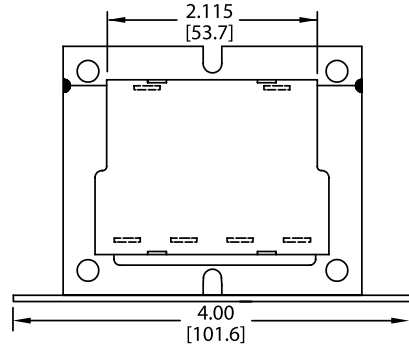
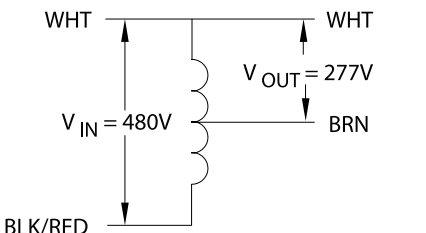


PRODUCT DIMENSIONS & SCHEMATIC

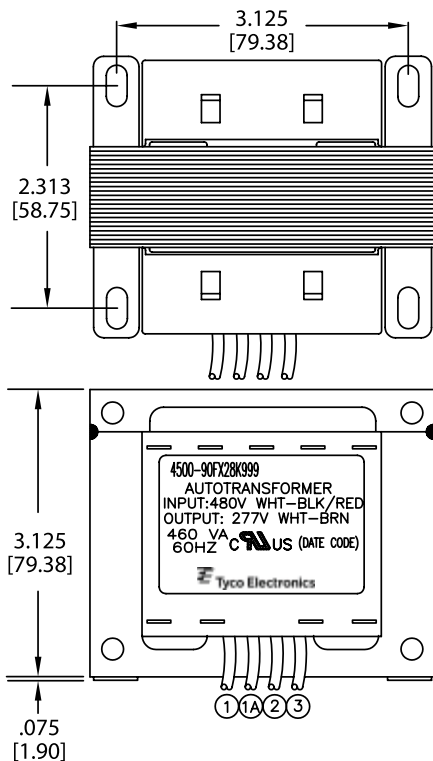
230VA Model



230 and 460VA Models



460VA Model



ALL LEADS 18AWG—UNLESS OTHERWISE SPECIFIED				
LEAD NO.	1	1A	2	3
VOLTAGE	COM	COM	277/OUT	480/IN
COLOR	WHT	WHT	BRN	BLK/RED
LENGTH	12.0	12.0	12.0	12.0
STRIP LENGTH	.50	.50	.50	.50

