



mCore Case

SKU: 62450 Weight: 46.00 Gram

What Is mCore Case?

The mCore case specially was designed for mBot, and compatible with Lego. The half-transparent and dull polish shell not only protects the mainboard but also reduces the harm of LED light to your eyes. And you can put a Li battery shell at the bottom.

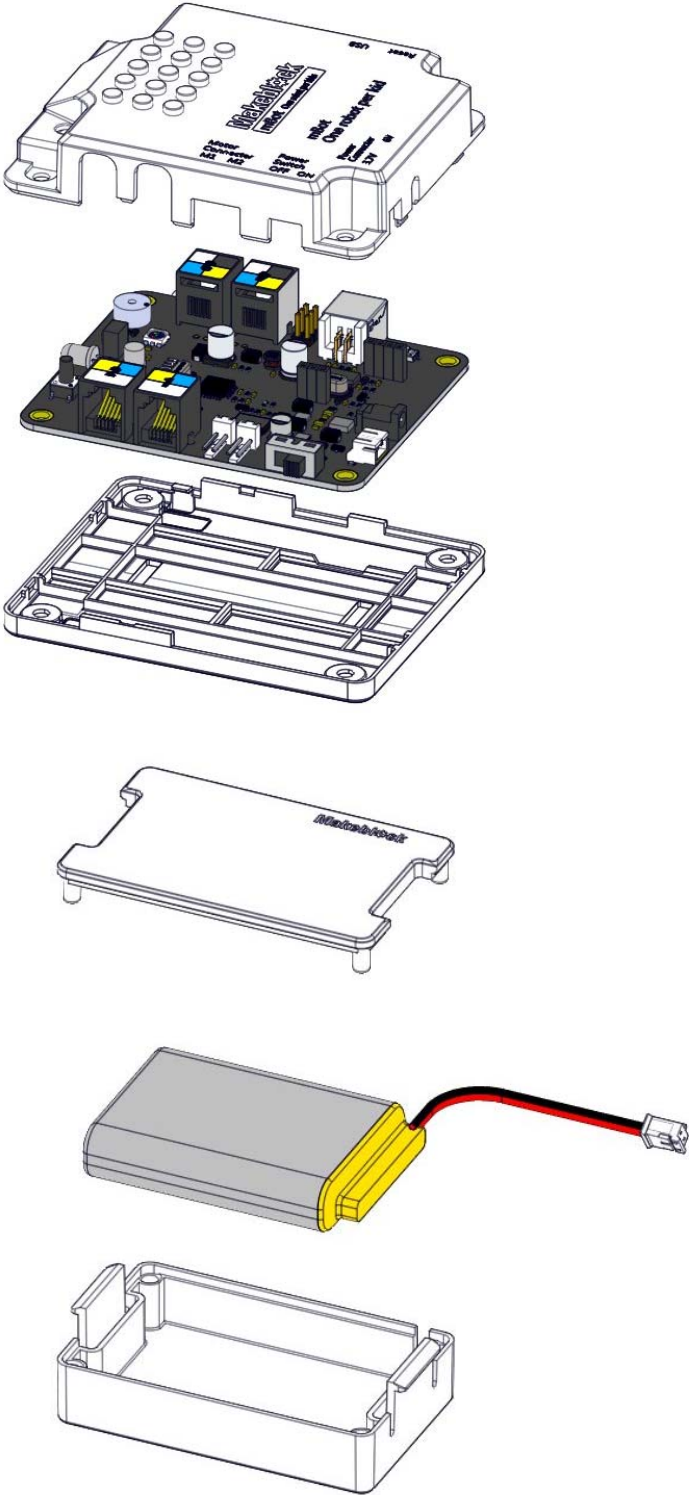
Features

? Made from PC

? mCore case and Li battery shell both consist of a upper shell and a lower shell

? Holes in each corner are for the screws and studs to fix the mCore Case on mBot.

Demo:



Specifications

SKU	62450
Product Name	mCore Case
Gross Weight	46g (1.60oz)
Package Content (Quantity x Part Name)	1 x mCore Case 1 x mBot Li Battery Shell



<https://store.makeblock.com/mcore-cas>