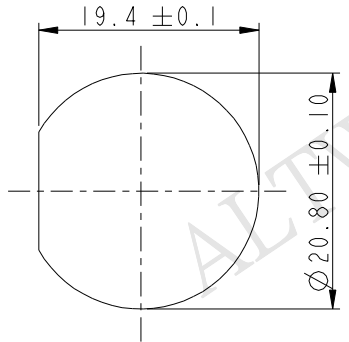
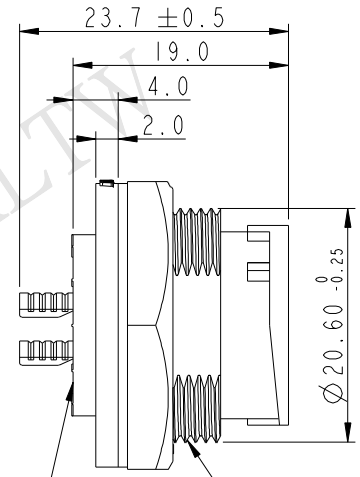
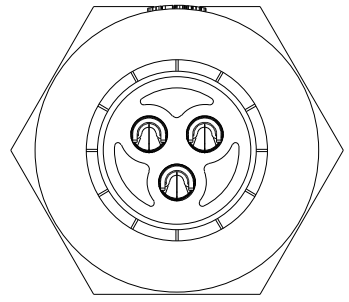


THIS DOCUMENT IS SUBJECT TO CHANGE WITHOUT NOTICE. IT IS CONFIDENTIAL AND A PROPERTY OF Amphenol LTW. DISCLOSURE TO THIRD PARTY HAS TO BE AUTHORIZED BY Amphenol LTW.

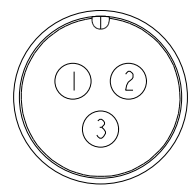
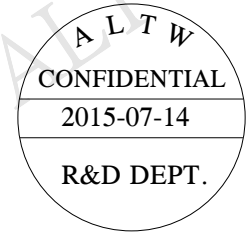
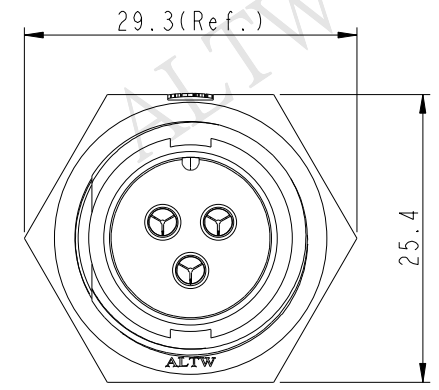
|      |         |      |      |             |
|------|---------|------|------|-------------|
| REV. | ECN NO. | DATE | SIGN | DESCRIPTION |
|      |         |      |      |             |



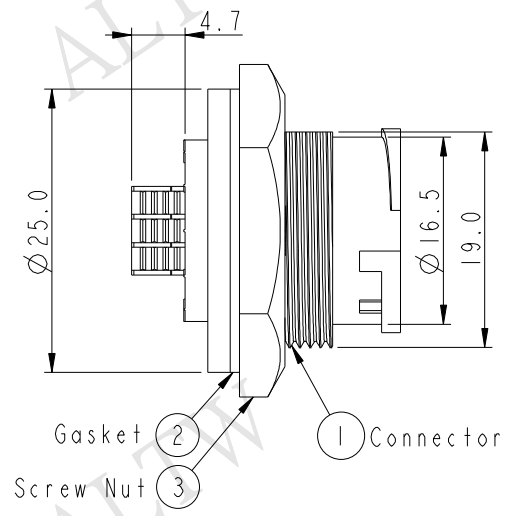
Recommended Panel  
Cut-Out



With Liquid GLue



Pin Assignments  
Front View



- Note:
- \*   Important Dimension To Check.
  - \* Waterproof Rate: IP67
  - \* Housing: Nylon+GF, Black
  - \* Male Pin: Copper Alloy, Gold Plated
  - \* Screw Nut: Nylon+GF, Black
  - \* Gasket: Silicone, Gray
  - \* Use with waterproof cap or dust cap  
Maximum Panel Thickness: 2.8mm
  - \* Use without waterproof cap or dust cap  
Maximum Panel Thickness: 4.0mm

|           |          |          |
|-----------|----------|----------|
| UNIT: mm  |          |          |
| TOLERANCE | .X ±0.25 | .XX ±0.1 |
| .XXX      | ±0.1     | ±0.05    |
| ANGLES    | ±1°      |          |

|   |                |                     |  |
|---|----------------|---------------------|--|
| TITLE<br>MIDDLE<br>PANEL LOCK 3PIN M CONN M PIN |                |                     |  |
| SCALE<br>3:2                                    | SIZE<br>A4     | SHEET 1 OF 1        |  |
| REV.<br>A                                       | WC-REV.<br>A.1 | QC: Inspection item |  |

**Amphenol LTW**  
安費諾亮泰企業股份有限公司

|                               |                       |                    |
|-------------------------------|-----------------------|--------------------|
| ITEM NO.<br>ACC-03PMMS-LC7001 | DRAWN BY<br>Jinhai    | DATE<br>2015-07-14 |
| DWG NO.<br>ACC-03PMMS-LC7001  | CHECKED BY<br>Rensong | DATE<br>2015-07-14 |
| CUSTOMER<br>ALTW              | APPROVED BY<br>Jerry  | DATE<br>2015-07-14 |

A B C D E F