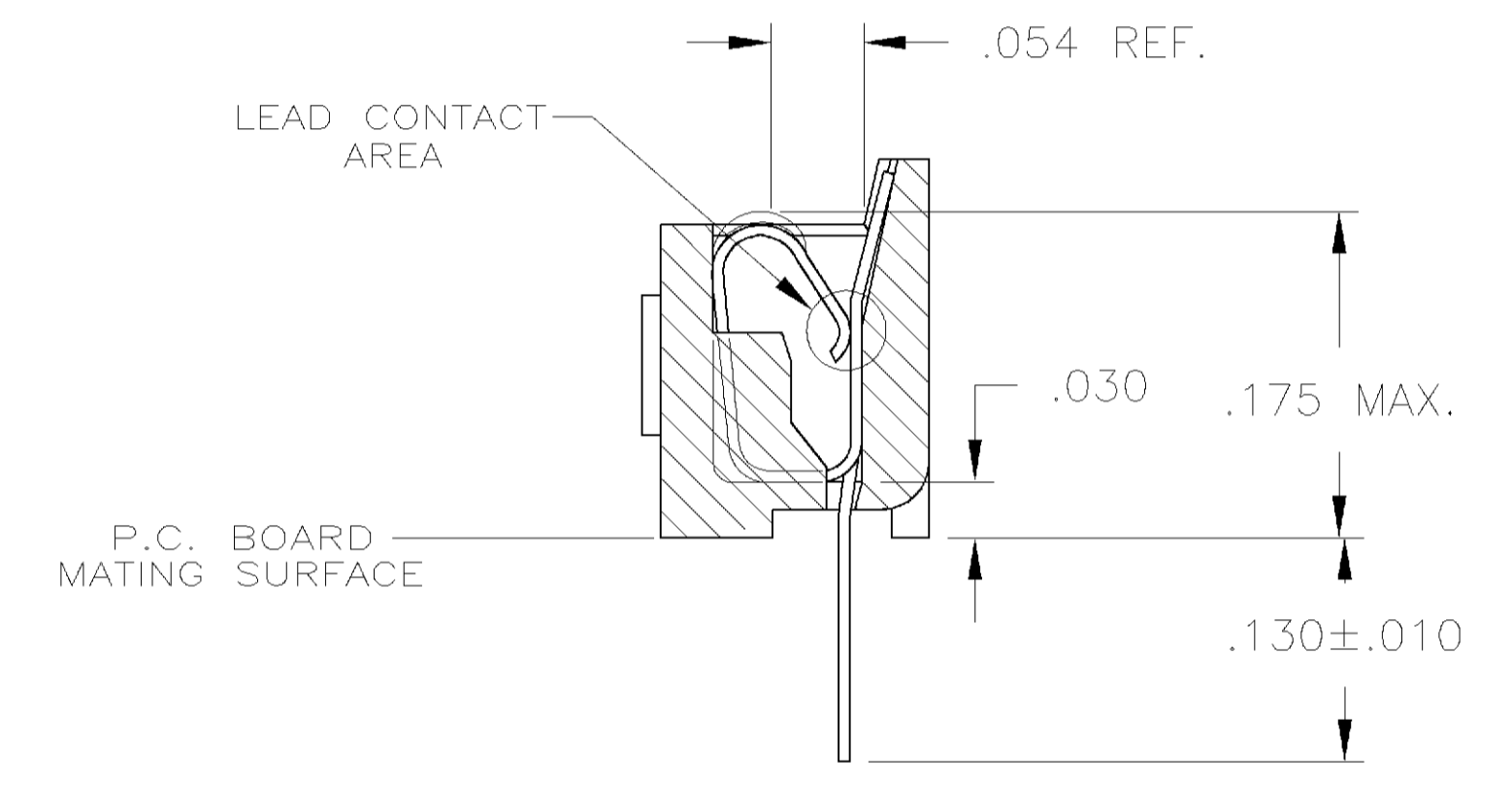
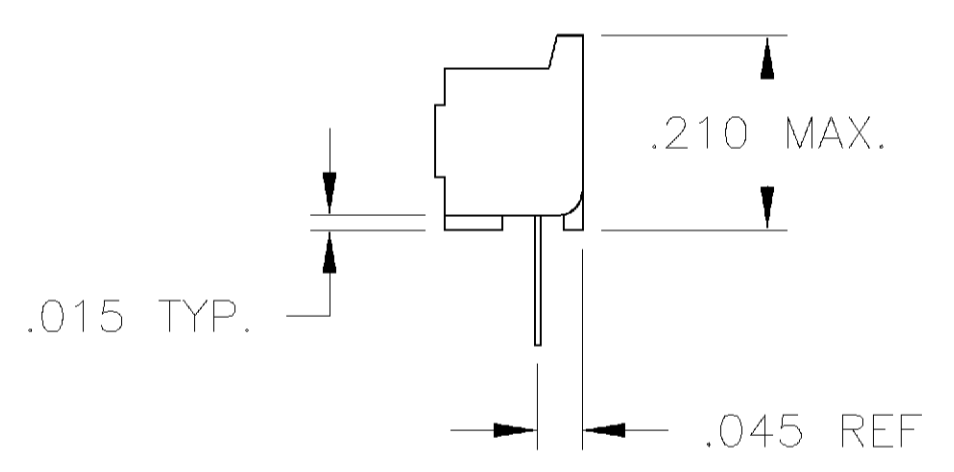


SECTION A-A  
 ROTATED 90° CW  
 SCALE 10:1  
 FOR -6, -7 & -8 ONLY



SECTION A-A  
 ROTATED 90° CW  
 SCALE 10:1  
 FOR -1, -2 & -3 ONLY

1. RECEPTACLE ACCEPTS AN .008-.014 THK. I.C. LEAD.
2. TWO .000030 MIN. THK. GOLD STRIPES IN CONTACT AREA, TIN-LEAD(93-7) ON CONTACT LEGS, BALANCE OF CONTACT NICKEL PLATED.
3. TWO .000015 MIN. THK. GOLD STRIPES IN CONTACT AREA, TIN-LEAD(93-7) ON CONTACT LEGS, BALANCE OF CONTACT NICKEL PLATED.
4. TUBE LOADED.

OBSOLETE	TINNED	PHOS.BRZ.	GLASS-FILLED THERMOPLASTIC, 94V-0, BLACK	2-643652-3	
	OBSOLETE	TINNED	PHOS.BRZ.	GLASS-FILLED THERMOPLASTIC, 94V-0, BLACK	643652-8
			BE.CU.	GLASS-FILLED THERMOPLASTIC, 94V-0, BLACK	643652-7
			BE.CU.	GLASS-FILLED THERMOPLASTIC, 94V-0, BLACK	643652-6
SUPSD BY 643652-2			PHOS.BRZ.	GLASS-FILLED THERMOPLASTIC, 94V-0, BLACK	643652-4
OBSOLETE			PHOS.BRZ.	GLASS-FILLED THERMOPLASTIC, 94V-0, BLACK	643652-3
			BE.CU.	GLASS-FILLED THERMOPLASTIC, 94V-0, BLACK	643652-2
			BE.CU.	GLASS-FILLED THERMOPLASTIC, 94V-0, BLACK	643652-1
CONTACT FINISH		CONTACT MAT'L	HOUSING MATERIAL	PART NO.	

THIS DRAWING IS A CONTROLLED DOCUMENT.

DIMENSIONS: INCHES	TOLERANCES UNLESS OTHERWISE SPECIFIED:	DWN: M. CYRUS 6-1-84	Tyco Electronics Corporation Harrisburg, PA 17105
0 PLC ± - 1 PLC ± - 2 PLC ± - 3 PLC ± .005 4 PLC ± - ANGLES ± -	SEE TABLE	CHK: N. JONES 7-3-84	
MATERIAL: SEE TABLE		APVD: J. GRAY 7-10-84	NAME: SOCKET ASSY, SIP, 20 POS, DIPLOMATE DL
FINISH: SEE TABLE		PRODUCT SPEC: 108-1066	SIZE: A1
		APPLICATION SPEC: 114-1049	CAGE CODE: 00779
		WEIGHT: -	DRAWING NO: 643652
		CUSTOMER DRAWING	SCALE: 5:1 SHEET: 1 OF 1 REV: L