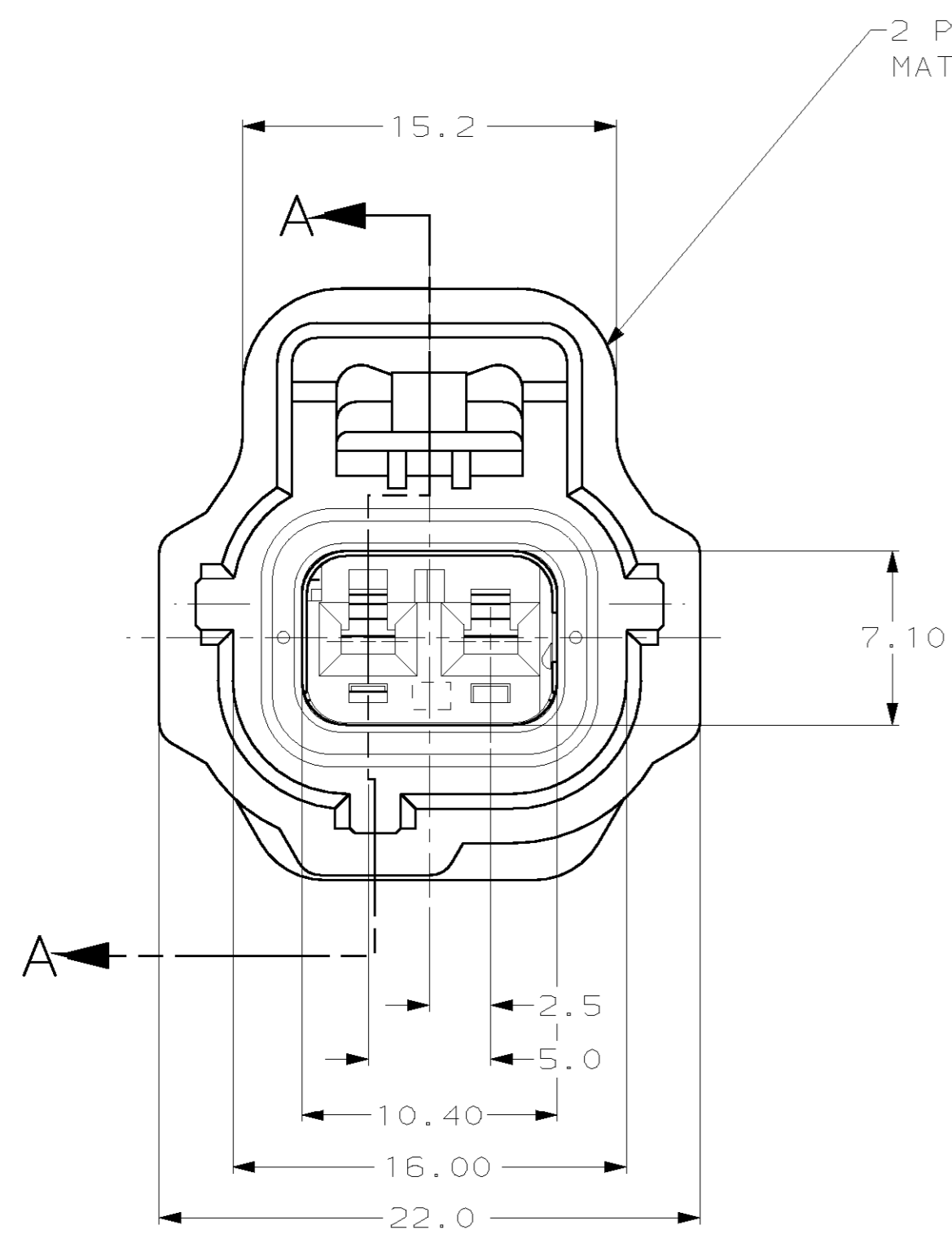
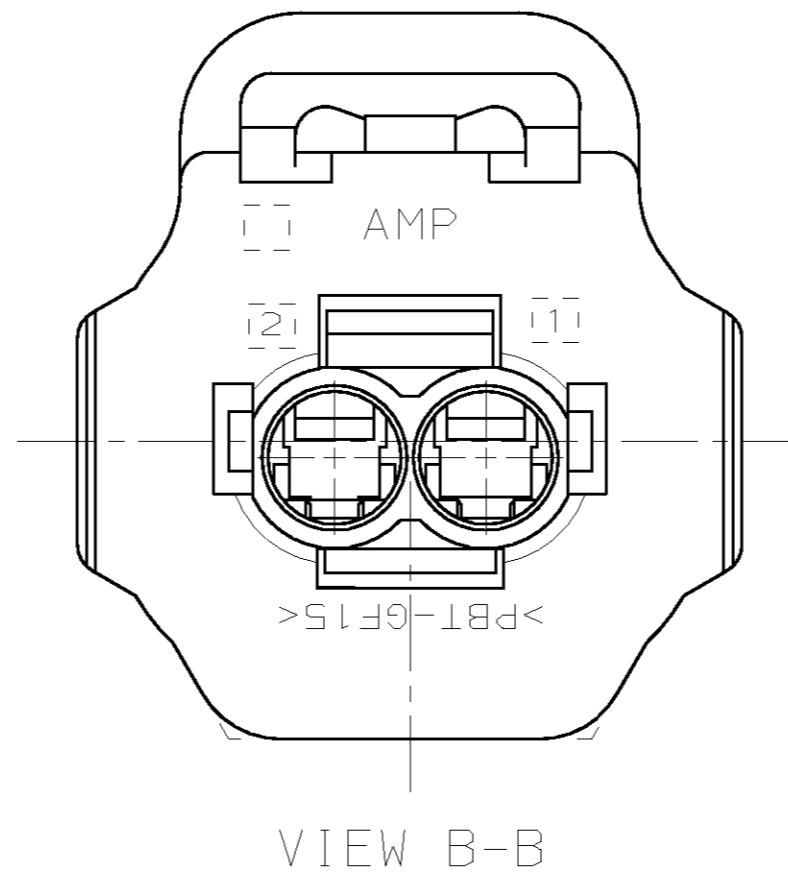
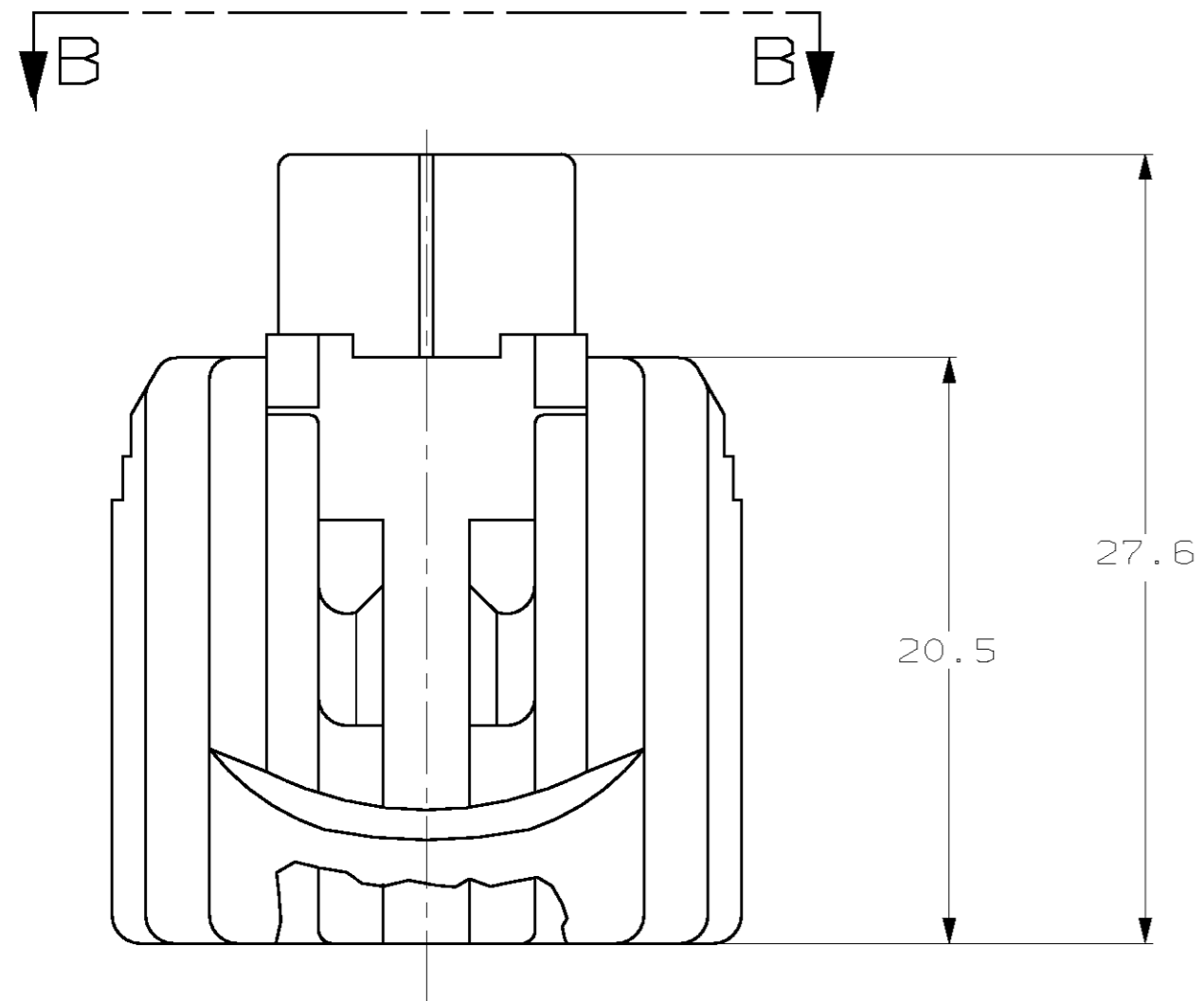


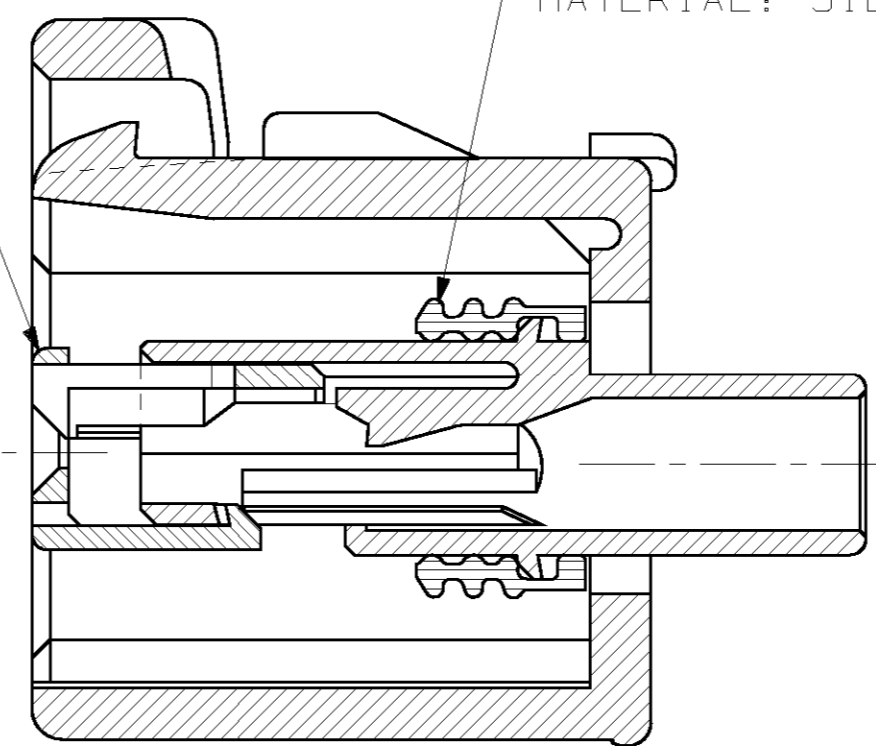
LOC	DIST	REVISIONS			
P	LTR	DESCRIPTION	DATE	DWN	APVD
		0 RELEASED, WAS 92-4072-2313-11	-	-	-
A		REV PER ECN 0720-0290-94 AND ECN 0720-0430-94	10/19/94	KDL	JK
B		REV PER ECN 0720-0446-94	12/16/94	KW	JK
C		REV PER ECN 0K50-0003-96	08/13/96	KW	JK
D		REV PER EC# 0K40-0140-00	7-10-00	PC	GI



2 POSN PLUG  
 MATERIAL: PBT, 15% GLASS FILLED

2 POSN. DOUBLE LOCK PLATE  
 MATERIAL: PBT, 15% GLASS FILLED

SEAL RING  
 MATERIAL: SILICONE RUBBER



SECTION A-A

KEYING TYPE L

<small>THIS DRAWING IS A CONTROLLED DOCUMENT FOR AMP INCORPORATED. IT IS SUBJECT TO CHANGE AND THE CONTROLLING ENGINEERING ORGANIZATION SHOULD BE CONTACTED FOR THE LATEST REVISION.</small>		DWN	KD LYTLE	3/28/94
DIMENSIONS: mm		CHK	JP KUNKLE	4/19/94
		APVD	-	-
TOLERANCES UNLESS OTHERWISE SPECIFIED: 0 PLC ±- 1 PLC ±0.30 2 PLC ±0.15 3 PLC ±- 4 PLC ±- ANGLES ±1° MATERIAL - FINISH -		PRODUCT SPEC	-	-
		APPLICATION SPEC	-	-
		WEIGHT	-	-
		CUSTOMER DRAWING	-	-

NATURAL	184020-1
PLUG COLOR	PART NO
AMP Incorporated Harrisburg, PA 17105-3608	
1 X 2 PLG ASY KEY L-C3	
SIZE	CAGE CODE
A2	00779
DRAWING NO	C-184020
SCALE	SHEET
4:1	1 OF 1
REV	D